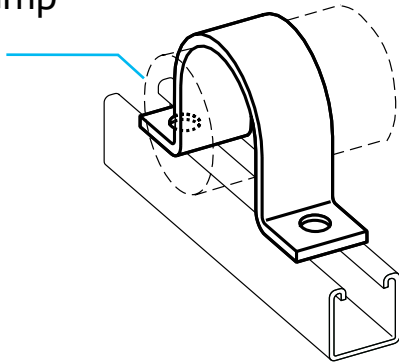


## Hold Down Clamp Fig. AS 3126



### Description

Anvil-Strut Pipe Clamps are all manufactured to fit into the standard openings of 1 5/8" channel to support runs of piping where desired, to secure the pipe in place.

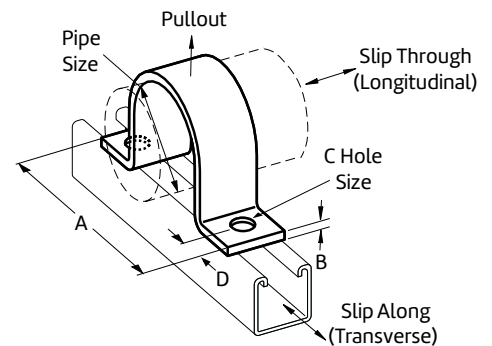
### Hold Down Clamp AS 3126 EG

Pipe Size	A	B	C	D	Std. Pkg.	Wt./100 Pcs.	Load Rating
1/2"	2 7/8"	1/8"	9/32"	7/16"	50	23	500
3/4"	3 1/16"	1/8"	9/32"	7/16"	50	26	500
1"	3 11/32"	1/8"	9/32"	7/16"	25	31	500
1 1/4"	3 11/16"	1/8"	9/32"	7/16"	25	35	500
1 1/2"	3 29/32"	1/8"	9/32"	7/16"	25	39	500
2"	5 21/32"	1/4"	13/32"	13/16"	25	94	1,000
2 1/2"	6 5/32"	1/4"	13/32"	13/16"	25	114	1,000
3"	6 25/32"	1/4"	13/32"	13/16"	25	133	1,000
3 1/2"	7 9/32"	1/4"	13/32"	13/16"	10	152	1,000
4"	7 25/32"	1/4"	13/32"	13/16"	Bulk	176	1,000
5"	7 27/32"	1/4"	13/32"	13/16"	Bulk	198	1,000
6"	9 29/32"	1/4"	13/32"	13/16"	Bulk	225	1,000

Std Pkg & Wt/100 pcs: See chart above.

#### LEGEND:

**GR:** Powder Coated Supr-Green **EG:** Electro-Galvanized **PG:** Pre-Galvanized **AL:** Aluminum  
**HG:** Hot Dipped Galvanized **PL:** Plain **SS:** Stainless Steel **ZTC:** Zinc Trivalent Chromium  
 Stainless Steel (SS), Zinc Trivalent Chromium (ZTC) and Hot Dipped Galvanized (HG) are specialty finishes.  
 Pricing is located in the Specialty Strut Section of the Anvil-Strut price book.



PROJECT INFORMATION	APPROVAL STAMP
Project:	Approved
Address:	Approved as noted
Contractor:	Not approved
Engineer:	Remarks:
Submittal Date:	
Notes 1:	
Notes 2:	

## Hold Down Clamp Fig. AS 3126

### Hold Down Clamp

Normal Pipe Size	Design Loads*		
	Slip Thru (lbs.)	Slip Along (lbs.)	Pullout (lbs.)
1/2"	425	479	811
3/4"	184	405	850
1"	168	455	769
1 1/4"	402	401	830
1 1/2"	315	532	876
2"	553	1,728	2,133
2 1/2"	408	1,615	2,280
3"	900	1,494	2,295
3 1/2"	646	1,516	2,273
4"	834	1,463	2,324
5"	564	1,097	2,324
6"	494	899	2,250

\*Safety Factor 3.0

**LEGEND:**

**GR:** Powder Coated Supr-Green **EG:** Electro-Galvanized **PG:** Pre-Galvanized **AL:** Aluminum  
**HG:** Hot Dipped Galvanized **PL:** Plain **SS:** Stainless Steel **ZTC:** Zinc Trivalent Chromium  
 Stainless Steel (**SS**), Zinc Trivalent Chromium (**ZTC**) and Hot Dipped Galvanized (**HG**) are specialty finishes.  
 Pricing is located in the Specialty Strut Section of the Anvil-Strut price book.