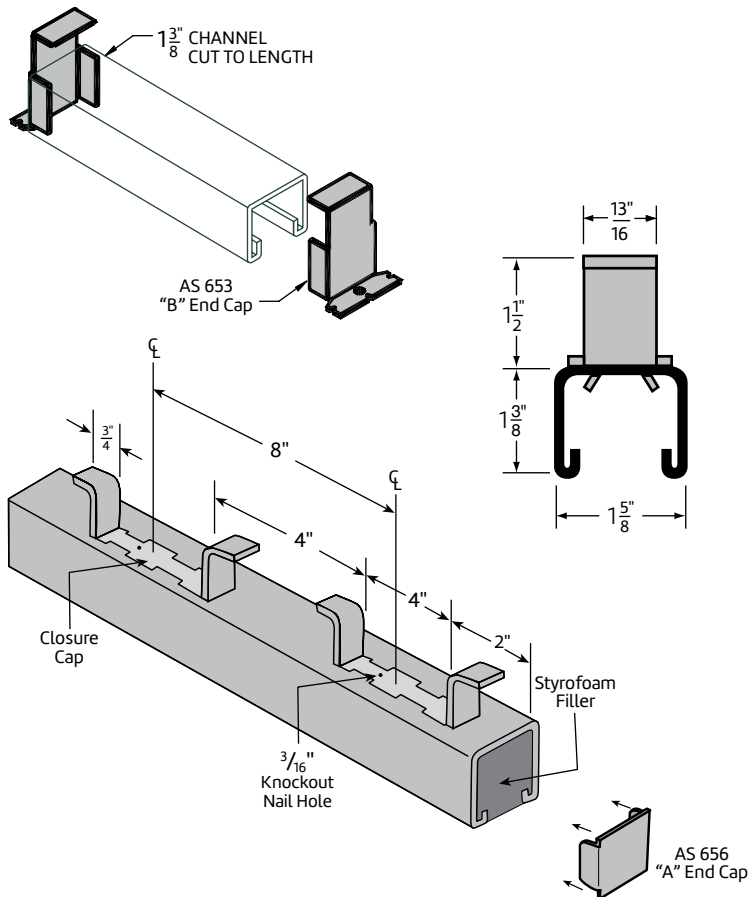


Continuous Concrete Insert Fig. AS 349

AS 349 PG, PL



Length in Inches	Wt./100 Pieces	Max. Allowable Load
3	87	500 Lbs.
4	103	800 Lbs.
6	134	1000 Lbs.
8	206	1200 Lbs.
12	188	1800 Lbs.

LEGEND:

GR: Powder Coated Supr-Green EG: Electro-Galvanized PG: Pre-Galvanized AL: Aluminum HG: Hot Dipped Galvanized PL: Plain SS: Stainless Steel ZTC: Zinc Trivalent Chromium

PROJECT INFORMATION	APPROVAL STAMP
Project:	Approved
Address:	Approved as noted
Contractor:	Not approved
Engineer:	Remarks:
Submittal Date:	
Notes 1:	
Notes 2:	

Features

- Loading data was calculated in a concrete mixture which was proportioned so that the compression strength of the concrete was 2,500 to 3,000 pounds per square inch and that the load is dependent on the surrounding concrete.
- Tests were performed with a safety factor of 3, and in accordance with the MFMA Specifications.
- Anvil-Strut concrete inserts are supplied with the AS 656 end cap and either a styrofoam filler or plastic strip (AS 6151) installed in the insert channel to prevent any concrete seepage.
- Stocked in either plain and pre-galvanized, see technical data section for ASTM specifications.
- Inserts should be secured to forms at 16" intervals.
- When ordering, please indicate finish and either foam filler, or plastic closure.

With Closure Strip and End Cap Installed (CS/EC) or with Foam and End Cap Installed (F/EC)

Part No.	End Cap	Wt./100 Feet
AS 349 CS/EC 10	A	180
AS 349 CS/EC 20	A	180
AS 349 F/EC 10	A	188
AS 349 F/EC 20	A	188

Without Closure Strip and End Cap

Part No.	Wt./100 Feet
AS 349 W/O 10	178
AS 349 W/O 20	178

1 3/8" x 1 5/8" x 12 Gauge Channel.
Stocked in 10' or 20' lengths.
Other lengths available.
Wt./100 Feet: See chart above.