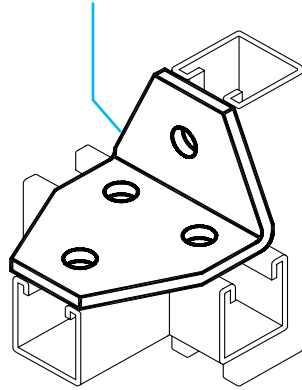


Four Hole Joint Corner Connector Fig. AS 748, AS 614, AS 615, AS 927, AS 689

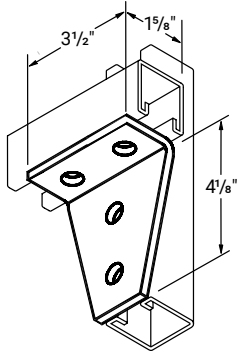


Description

Anvil-Strut Angle Fittings and Connectors are designed to fit with all Anvil-Strut $1\frac{5}{8}$ " wide channels. Unless otherwise noted, Anvil-Strut Angle Fittings and Connectors are manufactured from $\frac{1}{4}$ " thick carbon steel, $1\frac{5}{8}$ " wide, all holes are $\frac{9}{16}$ " diameter, spaced $1\frac{7}{8}$ " on center and $\frac{13}{16}$ " from the end.

4-Hole Joint Corner Connector

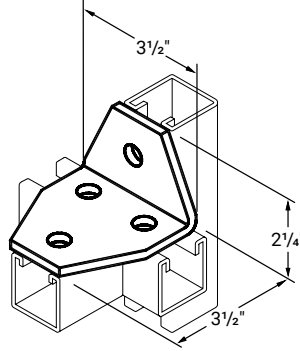
AS 748 EG, GR



Std Pkg 25 - Wt/100 pcs: 102 Lbs.

4-Hole Joint Corner Connector

AS 614 EG, GR



Std Pkg 25 - Wt/100 pcs: 101 Lbs.

Page notes unless otherwise specified: $\frac{1}{4}$ " thick, $1\frac{5}{8}$ " wide, holes $\frac{9}{16}$ " diameter, spaced $1\frac{7}{8}$ " on center and $\frac{13}{16}$ " from end.

LEGEND:

GR: Powder Coated Supr-Green **EG:** Electro-Galvanized **PG:** Pre-Galvanized **AL:** Aluminum
HG: Hot Dipped Galvanized **PL:** Plain **SS:** Stainless Steel **ZTC:** Zinc Trivalent Chromium
 Stainless Steel (**SS**), Zinc Trivalent Chromium (**ZTC**) and Hot Dipped Galvanized (**HG**) are specialty finishes.
 Pricing is located in the Specialty Strut Section of the Anvil-Strut price book.

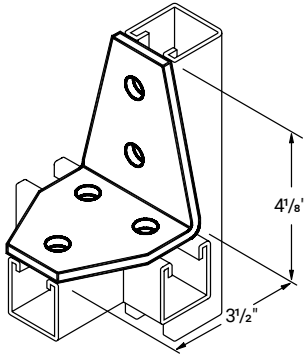


PROJECT INFORMATION	APPROVAL STAMP
Project:	Approved
Address:	Approved as noted
Contractor:	Not approved
Engineer:	Remarks:
Submittal Date:	
Notes 1:	
Notes 2:	

Four Hole Joint Corner Connector Fig. AS 748, AS 614, AS 615, AS 927, AS 689

5-Hole Shelf Joint Angle

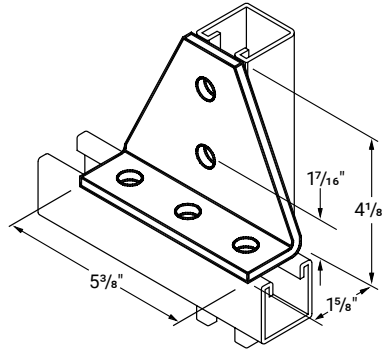
AS 615 EG, GR



Std Pkg 10 - Wt/100 pcs: 135 Lbs.

5-Hole Corner Connector

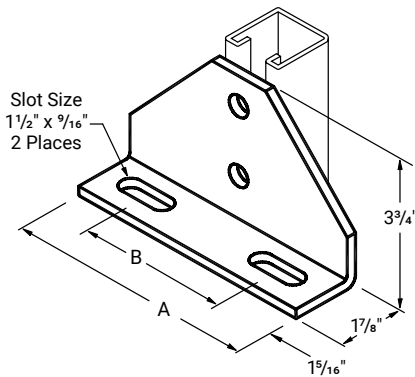
AS 927 EG, GR



Std Pkg 10 - Wt/100 pcs: 141 Lbs.

Adjustable Double Slotted Corner Connector

AS 689 EG, GR



Catalog No.	A	B	Wt./100 Pcs.
AS 689 A	6 5/8"	4"	180
AS 689 B	8 5/8"	6"	256

Std Pkg: 10 - Wt/100 pcs: See chart above.

Page notes unless otherwise specified: 1/4" thick, 1 5/8" wide, holes 9/16" diameter, spaced 1 7/8" on center and 13/16" from end.

LEGEND:

GR: Powder Coated Supr-Green EG: Electro-Galvanized PG: Pre-Galvanized AL: Aluminum
 HG: Hot Dipped Galvanized PL: Plain SS: Stainless Steel
 ZTC: Zinc Trivalent Chromium Stainless Steel (SS), Zinc Trivalent Chromium (ZTC) and Hot Dipped Galvanized (HG) are specialty finishes. Pricing is located in the Specialty Strut Section of the Anvil-Strut price book.