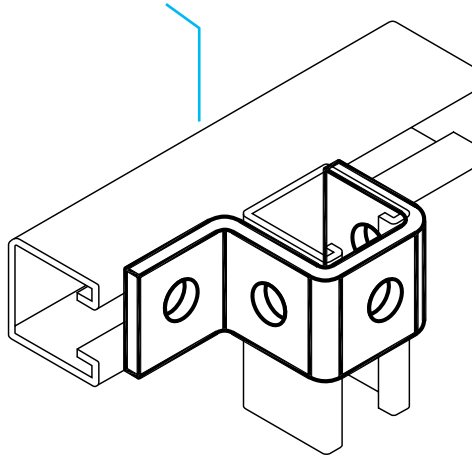


## Cup Support for Standard Single Strut Fig. AS 677

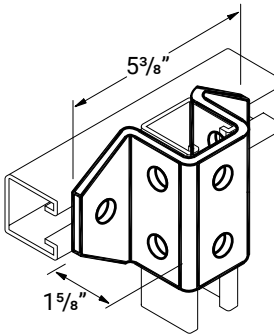


### Description

Anvil-Strut "U" Supports are designed to fit with all Anvil-Strut 1 5/8" wide channels. Unless otherwise noted, Anvil-Strut "U" Supports are manufactured from 1/4" thick carbon steel, 1 5/8" wide, all holes are 9/16" diameter, spaced 1 7/8" on center and 13/16" from the end.

### 6-Hole "U" Support

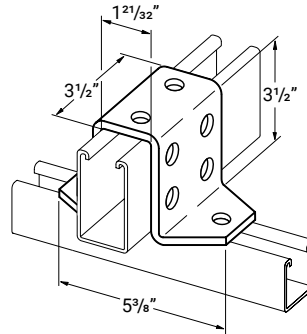
AS 733 EG, GR



Use with AS 200 & AS 210  
Std Pkg 10 - Wt/100 pcs: 167 Lbs.

### 8-Hole "U" Support

AS 735 EG, GR



Use with AS 200 BTB  
Std Pkg 10 - Wt/100 pcs: 266 Lbs.

Page notes unless otherwise specified: 1/4" thick, 1 5/8" wide, holes 9/16" diameter, spaced 1 7/8" on center and 13/16" from end.

#### LEGEND:

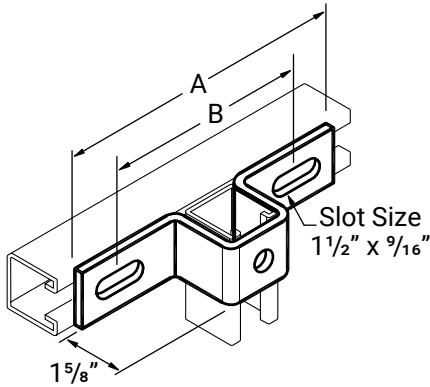
**GR:** Powder Coated Supr-Green **EG:** Electro-Galvanized **PG:** Pre-Galvanized **AL:** Aluminum  
**HG:** Hot Dipped Galvanized **PL:** Plain **SS:** Stainless Steel  
**ZTC:** Zinc Trivalent Chromium (ZTC) and Hot Dipped Galvanized (HG) are specialty finishes. Pricing is located in the Specialty Strut Section of the Anvil-Strut price book.

PROJECT INFORMATION	APPROVAL STAMP
Project:	Approved
Address:	Approved as noted
Contractor:	Not approved
Engineer:	Remarks:
Submittal Date:	
Notes 1:	
Notes 2:	

## Cup Support for Standard Single Strut Fig. AS 677

### Slotted "U" Bolt

AS 687 EG, GR

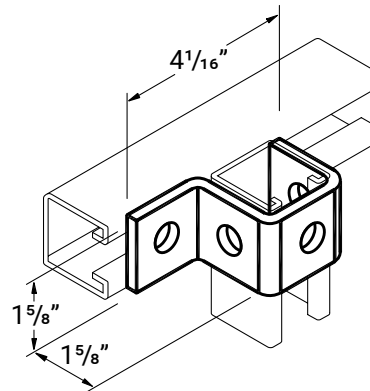


Catalog No.	A	B	Wt./100 Pcs.
AS 687 A	7 1/4"	4 1/8"	103
AS 687 B	8 1/2"	5 3/8"	115
AS 687 C	10 3/8"	7 1/4"	135

Use with AS 200 & AS 210  
Std Pkg 10 - Wt/100 pcs: See chart above.

### Cup Support for Standard Single Strut

AS 677 EG, GR



Use with AS 200 & AS 210  
Std Pkg 25 - Wt/100 pcs: 88 Lbs.

#### LEGEND:

**GR:** Powder Coated Supr-Green **EG:** Electro-Galvanized **PG:** Pre-Galvanized **AL:** Aluminum  
**HG:** Hot Dipped Galvanized **PL:** Plain **SS:** Stainless Steel  
**ZTC:** Zinc Trivalent Chromium Stainless Steel (**SS**), Zinc Trivalent Chromium (**ZTC**) and Hot Dipped Galvanized (**HG**) are specialty finishes. Pricing is located in the Specialty Strut Section of the Anvil-Strut price book.