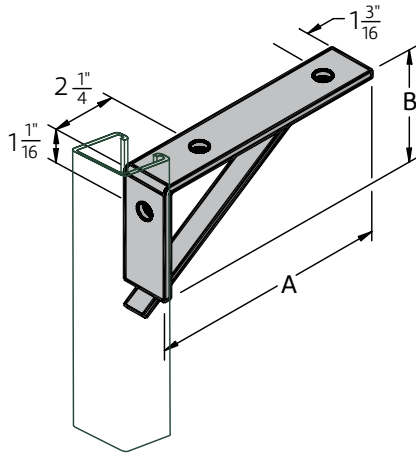


Brackets Figs. AS 708, AS 732, AS 3164

AS 732

GR

Shelf Bracket



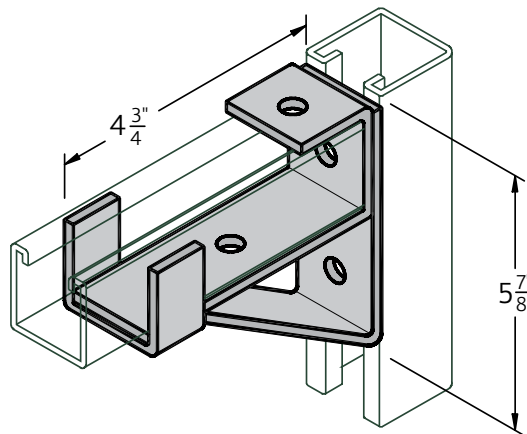
Size	A	B	Uniform Load*	Wt./100 Pcs.
8"	8½"	4"	800	168
10"	10½"	4"	800	202
12"	12½"	6"	900	258
14"	14½"	6"	900	292
16"	16½"	6"	1,200	381
18"	18½"	6"	1,200	416
20"	20½"	6"	1,000	461

Std Pkg Bulk - Wt/100 pcs: See chart above.

AS 708

EG, GR

Single Channel Bracket Support

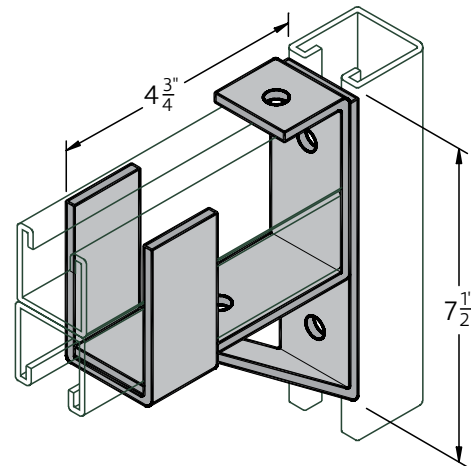


Use with AS 200 and AS 210
Std Pkg 20 - Wt/100 pcs: 230 Lbs.

AS 3164

EG, GR

Double Channel Bracket Support



Use with AS 200 BTB and AS 210 BTB
Std Pkg 10 - Wt/100 pcs: 275 Lbs.

LEGEND:

GR: Powder Coated Supr-Green EG: Electro-Galvanized PG: Pre-Galvanized AL: Aluminum HG: Hot Dipped Galvanized PL: Plain SS: Stainless Steel ZTC: Zinc Trivalent Chromium
Stainless Steel (SS), Zinc Trivalent Chromium (ZTC) and Hot Dipped Galvanized (HG) are specialty finishes. Pricing is located in the Specialty Strut Section of the Anvil-Strut price book.

PROJECT INFORMATION	APPROVAL STAMP
Project:	Approved
Address:	Approved as noted
Contractor:	Not approved
Engineer:	Remarks:
Submittal Date:	
Notes 1:	
Notes 2:	