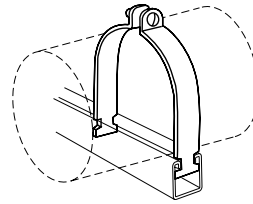
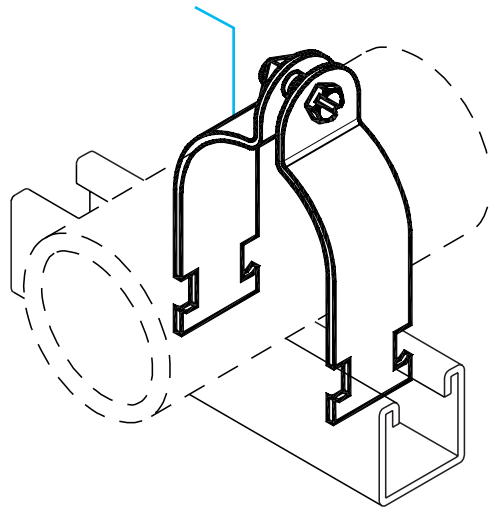


EMT Conduit Clamps Fig. AS 1000AS, AS 1300AS



AS 1300AS
For EMT, IMC, GC,
Pipe, or O.D. Tube

Description

Anvil-Strut Pipe Clamps are all manufactured to fit into the standard openings of 1 5/8" channel to support runs of piping where desired, to secure the pipe in place.

EMT Conduit Clamp					Universal Clamp			
Size	O.D. Size	Steel Gauge	Wt./100 Pcs.	Std. Pkg.	Size	O.D. Range Min./Max.	Wt./100 Pcs.	Std. Pkg.
1/2"	0.706	16	11	100	1/2"	0.706 to 0.840	13	100
3/4"	0.922	16	12	100	3/4"	0.922 to 1.050	14	100
1"	1.163	14	15	100	1"	1.163 to 1.315	18	100
1 1/4"	1.510	14	18	100	1 1/4"	1.510 to 1.660	21	100
1 1/2"	1.740	12	29	50	1 1/2"	1.740 to 1.900	23	50
2"	2.197	12	33	50	2"	2.197 to 2.375	25	100

All sizes are offered in pre-assembled only
ORDERING: Specify figure number and pipe size.
Std Pkg & Wt/100 pcs: See charts above.

LEGEND:

GR: Powder Coated Supr-Green **EG:** Electro-Galvanized **PG:** Pre-Galvanized **AL:** Aluminum
HG: Hot Dipped Galvanized **PL:** Plain **SS:** Stainless Steel
ZTC: Zinc Trivalent Chromium Stainless Steel (**SS**), Zinc Trivalent Chromium (**ZTC**) and Hot Dipped Galvanized (**HG**) are specialty finishes. Pricing is located in the Specialty Strut Section of the Anvil-Strut price book.



PROJECT INFORMATION	APPROVAL STAMP
Project:	Approved
Address:	Approved as noted
Contractor:	Not approved
Engineer:	Remarks:
Submittal Date:	
Notes 1:	
Notes 2:	