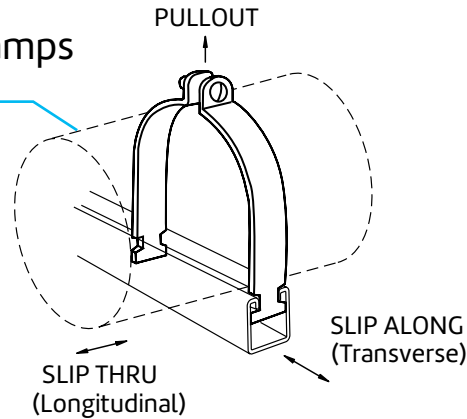


Rigid Steel Conduit Clamps Fig. AS 1100AS



Description

Anvil-Strut Pipe Clamps are all manufactured to fit into the standard openings of 1⁵/₈" channel to support runs of piping where desired, to secure the pipe in place.

AS 1100AS EG, SS, ZTC

Pipe Size	O.D. Size	Steel Gauge	Wt./100 Pcs.	Std. Pkg.	Normal Pipe Size	Design Loads*		
						Pullout (lbs)	Slip Along (lbs)	Slip Thru (lbs)
1/4"	0.504	16	11	100	1/4"	650	90	100
3/8"	0.675	16	12	100	3/8"	650	100	100
1/2"	0.840	16	13	100	1/2"	650	100	100
3/4"	1.050	16-14	15	100	3/4"	650	100	100
1"	1.315	14	18	100	1"	650	100	100
1 1/4"	1.660	14	22	100	1 1/4"	950	200	200
1 1/2"	1.900	14-12	32	50	1 1/2"	1050	300	300
2"	2.375	12	37	50	2"	1350	300	300
2 1/2"	2.875	12	42	50	2 1/2"	1300	250	300
3"	3.500	12	49	50	3"	1150	300	300
3 1/2"	4.000	11	65	25	3 1/2"	1150	300	300
4"	4.500	11	69	25	4"	1550	300	300
5"	5.563	11	82	25	5"	1550	300	300
6"	6.625	11-10	107	25	6"	1550	300	250
8"	8.625	11-10	133	25	8"	1450	300	300
10"	10.750	11-10	143	10	10"	1550	-	-
12"	12.750	11	170	10	12"	1400	-	-

LEGEND:

GR: Powder Coated Supr-Green
EG: Electro-Galvanized
PG: Pre-Galvanized
AL: Aluminum
HG: Hot Dipped Galvanized
PL: Plain SS: Stainless Steel
ZTC: Zinc Trivalent Chromium
 Stainless Steel (**SS**), Zinc Trivalent Chromium (**ZTC**) and Hot Dipped Galvanized (**HG**) are specialty finishes. Pricing is located in the Specialty Strut Section of the Anvil-Strut price book.

All sizes are offered in pre-assembled only

ORDERING: Specify figure number and pipe size.

Std Pkg & Wt/100 pcs: See charts above.

*Safety Factor 3.0



PROJECT INFORMATION	APPROVAL STAMP
Project:	Approved
Address:	Approved as noted
Contractor:	Not approved
Engineer:	Remarks:
Submittal Date:	
Notes 1:	
Notes 2:	