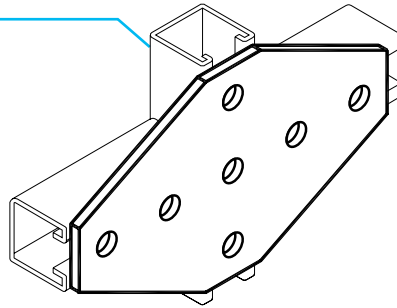


## Cross Connector Figs. AS 2112, AS 925, AS 747, AS 854, AS 750, AS 2190

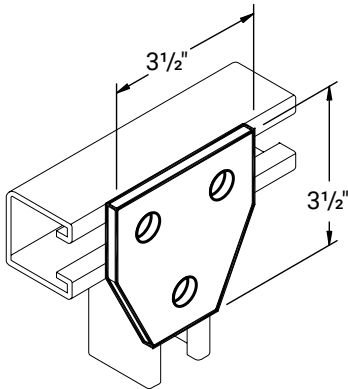


### Description

Anvil-Strut Flat Plates are designed to fit with all Anvil-Strut  $1\frac{5}{8}$ " wide channels. Unless otherwise noted, Anvil-Strut Flat Plates are manufactured from  $\frac{1}{4}$ " thick carbon steel,  $1\frac{5}{8}$ " wide, all holes are  $\frac{9}{16}$ " diameter, spaced  $1\frac{7}{8}$ " on center and  $\frac{13}{16}$ " from the end.

### Symmetrical 3-Hole Joint Connector

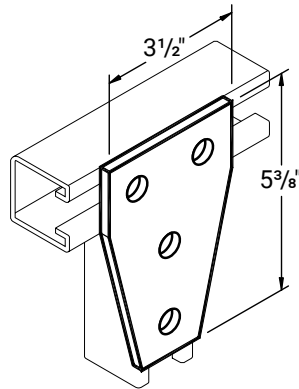
AS 925 EG, GR



Std Pkg 25 - Wt/100 pcs: 70 Lbs.

### Symmetrical 4-Hole Joint Connector

AS 747 EG, GR



Std Pkg 20 - Wt/100 pcs: 100 Lbs.

Page notes unless otherwise specified:  $\frac{1}{4}$ " thick,  $1\frac{5}{8}$ " wide, holes  $\frac{9}{16}$ " diameter, spaced  $1\frac{7}{8}$ " on center and  $\frac{13}{16}$ " from end.

#### LEGEND:

**GR:** Powder Coated Supr-Green **EG:** Electro-Galvanized **PG:** Pre-Galvanized **AL:** Aluminum  
**HG:** Hot Dipped Galvanized **PL:** Plain **SS:** Stainless Steel  
**ZTC:** Zinc Trivalent Chromium Stainless Steel (**SS**), Zinc Trivalent Chromium (**ZTC**) and Hot Dipped Galvanized (**HG**) are specialty finishes. Pricing is located in the Specialty Strut Section of the Anvil-Strut price book.

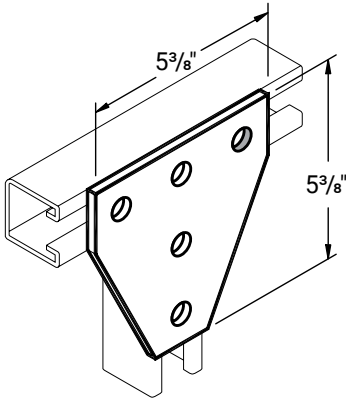


PROJECT INFORMATION	APPROVAL STAMP
Project:	Approved
Address:	Approved as noted
Contractor:	Not approved
Engineer:	Remarks:
Submittal Date:	
Notes 1:	
Notes 2:	

## Cross Connector Figs. AS 2112, AS 925, AS 747, AS 854, AS 750, AS 2190

### 5-Hole Flat Connector

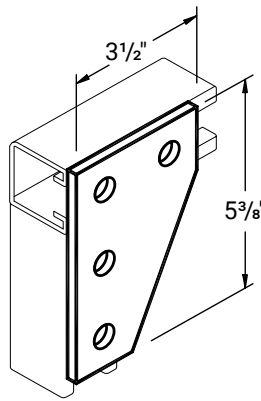
AS 854 EG, GR



Std Pkg 25 - Wt/100 pcs: 146 Lbs.

### 4-Hole Corner Connector

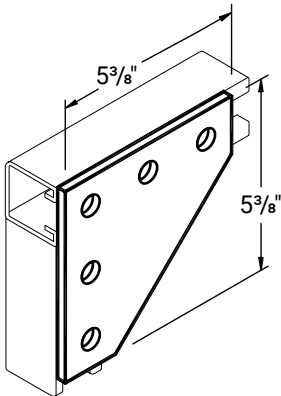
AS 750 EG, GR



Std Pkg 20 - Wt/100 pcs: 101 Lbs.

### Flat Corner Connector

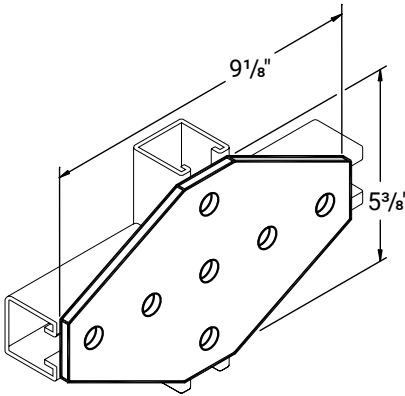
AS 2190 EG, GR



Std Pkg 20 - Wt/100 pcs: 146 Lbs.

### 7-Hole Cross Connector

AS 2112 EG, GR



Std Pkg 10 - Wt/100 pcs: 236 Lbs.

Page notes unless otherwise specified: 1/4" thick, 1 5/8" wide, holes 9/16" diameter, spaced 1 7/8" on center and 13/16" from end.

#### LEGEND:

GR: Powder Coated Supr-Green EG: Electro-Galvanized PG: Pre-Galvanized AL: Aluminum

HG: Hot Dipped Galvanized PL: Plain SS: Stainless Steel

ZTC: Zinc Trivalent Chromium Stainless Steel (SS), Zinc Trivalent Chromium (ZTC) and Hot Dipped Galvanized (HG) are specialty finishes. Pricing is located in the Specialty Strut Section of the Anvil-Strut price book.