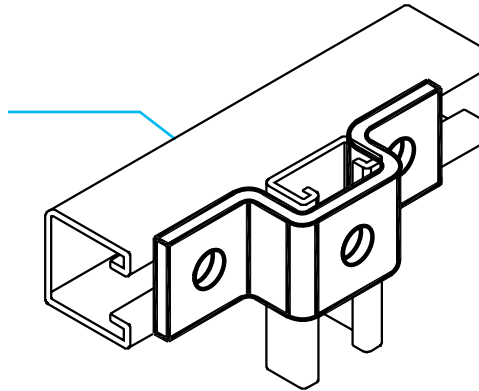


"U" Supports
**Fig. AS 2119, AS 678,
 AS 721, AS 613, AS 679,
 AS 710, AS 929,
 AS 978, AS 2648**

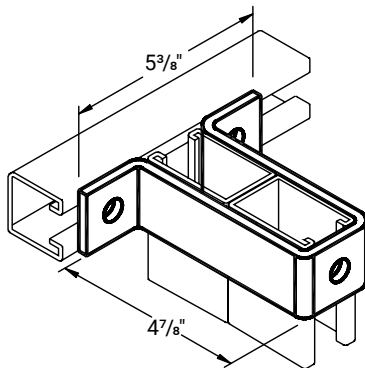


Description

Anvil-Strut "U" Supports are designed to fit with all Anvil-Strut $1\frac{5}{8}$ " wide channels. Unless otherwise noted, Anvil-Strut "U" Supports are manufactured from $\frac{1}{4}$ " thick carbon steel, $1\frac{5}{8}$ " wide, all holes are $\frac{9}{16}$ " diameter, spaced $1\frac{7}{8}$ " on center and $\frac{13}{16}$ " from the end.

"U" Support

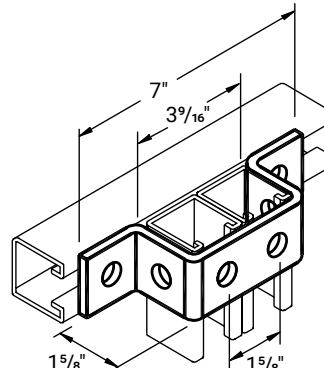
AS 678 EG, GR



Use with AS 150 BTB
 Std Pkg 10 – Wt/100 pcs: 157 Lbs.

"U" Support

AS 721 EG, GR



Use with AS 100, AS 200 BTB, AS 210 BTB
 Std Pkg 25 – Wt/100 pcs: 105 Lbs.

Page notes unless otherwise specified: $\frac{1}{4}$ " thick, $1\frac{5}{8}$ " wide, holes $\frac{9}{16}$ " diameter, spaced $1\frac{7}{8}$ " on center and $\frac{13}{16}$ " from end.

LEGEND:

GR: Powder Coated Supr-Green **EG:** Electro-Galvanized **PG:** Pre-Galvanized **AL:** Aluminum

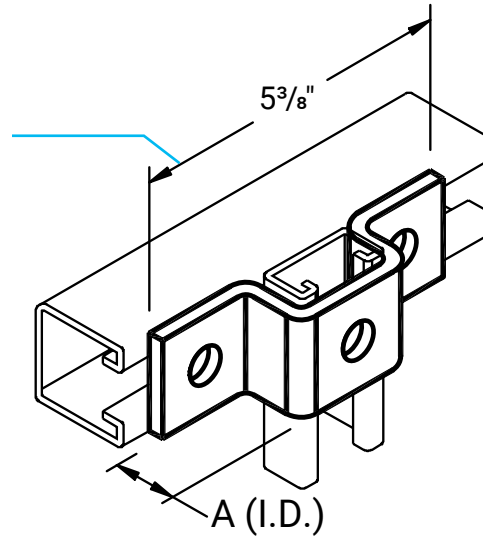
HG: Hot Dipped Galvanized **PL:** Plain **SS:** Stainless Steel

ZTC: Zinc Trivalent Chromium Stainless Steel (**SS**), Zinc Trivalent Chromium (**ZTC**) and Hot Dipped Galvanized (**HG**) are specialty finishes. Pricing is located in the Specialty Strut Section of the Anvil-Strut price book.



PROJECT INFORMATION	APPROVAL STAMP
Project:	Approved
Address:	Approved as noted
Contractor:	Not approved
Engineer:	Remarks:
Submittal Date:	
Notes 1:	
Notes 2:	

"U" Supports
**Fig. AS 2119, AS 678,
 AS 721, AS 613, AS 679,
 AS 710, AS 929,
 AS 978, AS 2648**



"U" Support

AS 613	EG,	GR,	ZTC
AS 679	EG,	GR,	ZTC
AS 710	EG,	GR,	
AS 929	EG,	GR,	ZTC
AS 978	EG,	GR,	
AS 2119	EG,	GR,	
AS 2648	EG,	GR,	

Catalog No.	A	Wt./100 Pcs.	Use With
AS 929	1 ³ / ₁₆ "	70	AS 500 & AS 520
AS 978	1"	75	AS 400
AS 710	1 ³ / ₈ "	84	AS 300
AS 613	1 ⁵ / ₈ "	85	AS 500 BTB, AS 200, & AS 210
AS 2119	1 ⁵ / ₈ "	95	AS 200 & AS 210
AS 2648	2 ⁷ / ₁₆ "	108	AS 150
AS 679	3 ¹ / ₄ "	126	AS 100, AS 200 BTB, & AS 210 BTB

Std Pkg 25 - Wt/100 pcs: See chart above.

LEGEND:

GR: Powder Coated Supr-Green **EG:** Electro-Galvanized **PG:** Pre-Galvanized **AL:** Aluminum
HG: Hot Dipped Galvanized **PL:** Plain **SS:** Stainless Steel
ZTC: Zinc Trivalent Chromium Stainless Steel (**SS**), Zinc Trivalent Chromium (**ZTC**) and Hot Dipped Galvanized (**HG**)
 are specialty finishes. Pricing is located in the Specialty Strut Section of the Anvil-Strut price book.