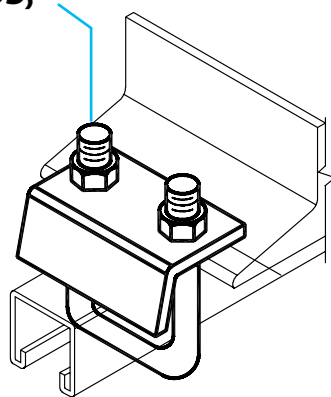


Beam Clamp Fig. AS 2651, AS 855, AS 685, AS 686

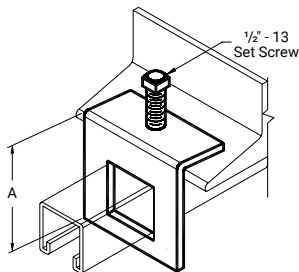


Description

Anvil-Strut Beam Clamps are designed to secure all Anvil-Strut 1⁵/₈" wide channels, or threaded rod, to beams or supports for the purpose of running piping, conduit or tubing. For additional Anvil Beam Clamps, refer to the Pipe Hangers and Hardware Section of the website or the Anvil Pipe Hangers and Supports Catalog.

Angular "I" Beam Clamp

AS 855 EG, GR

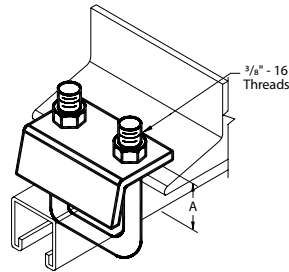


Catalog No.	Use With	A	Load Rating	Wt./100 Pcs.
AS 855 1	AS 200, AS 210	3 ¹ / ₂ "	500	107
AS 855 2	AS 500	2 ¹¹ / ₁₆ "	500	98

Std Pkg 25 - Wt/100 pcs: See chart above.

Beam Clamp

AS 2651 EG, ZTC



Catalog No.	A	Load Rating	Wt./100 Pcs.
AS 2651 T1	3"	1,000 Lbs	89
AS 2651 T2	5"	-	92

Std Pkg 25 - Wt/100 pcs: See chart above.

LEGEND:

GR: Powder Coated Supr-Green EG: Electro-Galvanized PG: Pre-Galvanized AL: Aluminum
HG: Hot Dipped Galvanized PL: Plain SS: Stainless Steel ZTC: Zinc Trivalent Chromium
Stainless Steel (SS), Zinc Trivalent Chromium (ZTC) and Hot Dipped Galvanized (HG) are specialty finishes.
Pricing is located in the Specialty Strut Section of the Anvil-Strut price book.

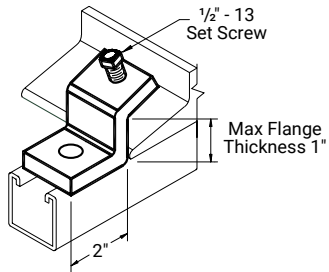


PROJECT INFORMATION	APPROVAL STAMP
Project:	Approved
Address:	Approved as noted
Contractor:	Not approved
Engineer:	Remarks:
Submittal Date:	
Notes 1:	
Notes 2:	

Beam Clamp Fig. AS 2651, AS 855, AS 685, AS 686

Beam Clamp

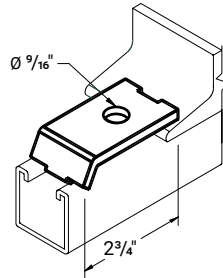
AS 685 EG, GR



Load Rating: 450 Lbs
Set Screw included
Std Pkg 20 - Wt/100 pcs: 66 Lbs.

Beam Clamp

AS 686 EG, GR



Load Rating: 600 Lbs
Std Pkg 50 - Wt/100 pcs: 30 Lbs.

LEGEND:

GR: Powder Coated Supr-Green **EG:** Electro-Galvanized **PG:** Pre-Galvanized **AL:** Aluminum
HG: Hot Dipped Galvanized **PL:** Plain **SS:** Stainless Steel **ZTC:** Zinc Trivalent Chromium
Stainless Steel (**SS**), Zinc Trivalent Chromium (**ZTC**) and Hot Dipped Galvanized (**HG**) are specialty finishes.
Pricing is located in the Specialty Strut Section of the Anvil-Strut price book.