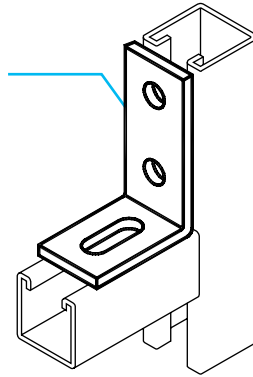


Two Hole Slotted 90° Corner Connector Figs. AS 3049, AS 2545, AS 793, AS 763, AS 764

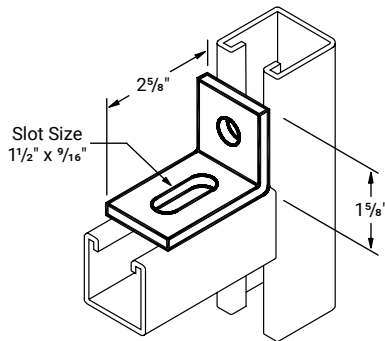


Description

Anvil-Strut Angle Fittings and Connectors are designed to fit with all Anvil-Strut $1\frac{5}{8}$ " wide channels. Unless otherwise noted, Anvil-Strut Angle Fittings and Connectors are manufactured from $\frac{1}{4}$ " thick carbon steel, $1\frac{5}{8}$ " wide, all holes are $\frac{9}{16}$ " diameter, spaced $1\frac{7}{8}$ " on center and $1\frac{3}{16}$ " from the end.

Slotted 90° Angle

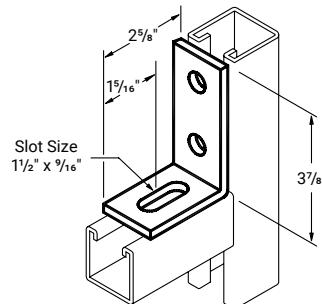
AS 2545 EG, GR



Std Pkg 50 - Wt/100 pcs: 38 Lbs.

2-Hole Slotted 90° Corner Connector

AS 3049 EG, GR



Std Pkg 25 - Wt/100 pcs: 66 Lbs.

Page notes unless otherwise specified: $\frac{1}{4}$ " thick, $1\frac{5}{8}$ " wide, holes $\frac{9}{16}$ " diameter, spaced $1\frac{7}{8}$ " on center and $1\frac{3}{16}$ " from end.

LEGEND:

GR: Powder Coated Supr-Green **EG:** Electro-Galvanized **PG:** Pre-Galvanized **AL:** Aluminum
HG: Hot Dipped Galvanized **PL:** Plain **SS:** Stainless Steel **ZTC:** Zinc Trivalent Chromium
Stainless Steel (**SS**), Zinc Trivalent Chromium (**ZTC**) and Hot Dipped Galvanized (**HG**) are specialty finishes.
Pricing is located in the Specialty Strut Section of the Anvil-Strut price book.

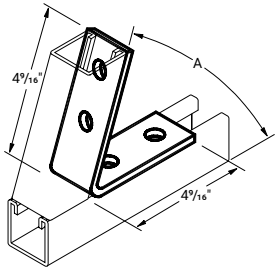


PROJECT INFORMATION	APPROVAL STAMP
Project:	Approved
Address:	Approved as noted
Contractor:	Not approved
Engineer:	Remarks:
Submittal Date:	
Notes 1:	
Notes 2:	

Two Hole Slotted 90° Corner Connector Figs. AS 3049, AS 2545, AS 793, AS 763, AS 764

4-Hole Closed Angle Connector

AS 793 EG, GR

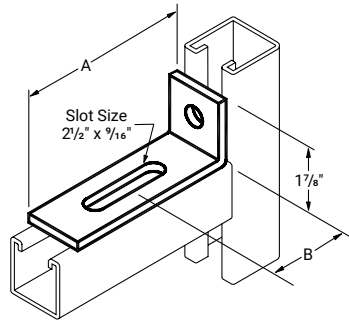


A
37½°
45°
52½°
60°
67½°
75°
82½°

Std Pkg 25 - Wt/100 pcs: 100 Lbs.

Slotted Adjustment Corner Angle

AS 763, AS 764, EG, GR



Catalog No.	A	B	Wt./100 Pcs.
AS 763	4 7/16"	2 1/2"	58
AS 764	6 7/8"	4 1/2"	85

Std Pkg: 25 - Wt/100 pcs: See chart above.

Page notes unless otherwise specified: 1/4" thick, 1 5/8" wide, holes 3/16" diameter, spaced 1 7/8" on center and 1 3/16" from end.

LEGEND:

GR: Powder Coated Supr-Green EG: Electro-Galvanized PG: Pre-Galvanized AL: Aluminum
 HG: Hot Dipped Galvanized PL: Plain SS: Stainless Steel ZTC: Zinc Trivalent Chromium
 Stainless Steel (SS), Zinc Trivalent Chromium (ZTC) and Hot Dipped Galvanized (HG) are specialty finishes.
 Pricing is located in the Specialty Strut Section of the Anvil-Strut price book.