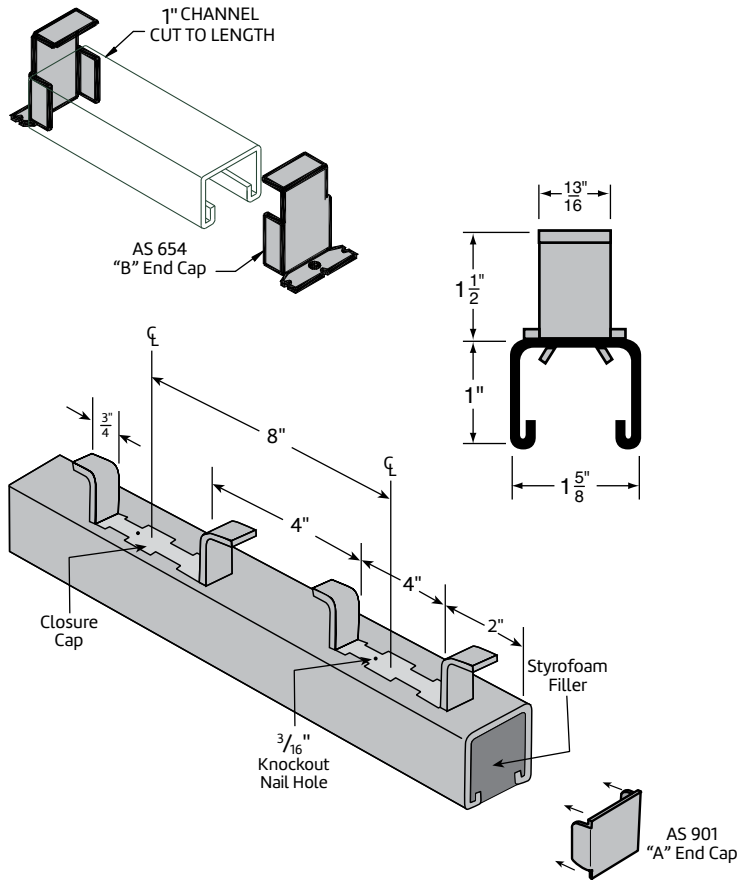


Continuous Concrete Insert Fig. AS 449

AS 449 PG, PL



Features

- Loading data was calculated in a concrete mixture which was proportioned so that the compression strength of the concrete was 2,500 to 3,000 pounds per square inch and that the load is dependent on the surrounding concrete.
- Tests were performed with a safety factor of 3, and in accordance with the MFMA Specifications.
- Anvil-Strut concrete inserts are supplied with AS 901 end cap and either a styrofoam filler or plastic strip (AS 6151) installed in the insert channel to prevent any concrete seepage.
- Stocked in either plain and pre-galvanized, see technical data section for ASTM specifications.
- Inserts should be secured to forms at 16" intervals.
- When ordering, please indicate finish and either foam filler, or plastic closure.

With Closure Strip and End Cap Installed (CS/EC) or with Foam and End Cap Installed (F/EC)

Part No.	End Cap	Wt./100 Feet
AS 449 CS/EC 10	A	152
AS 449 CS/EC 20	A	152
AS 449 F/EC 10	A	162
AS 449 F/EC 20	A	165

Without Closure Strip and End Cap

Part No.	Wt/100 Feet
AS 449 W/O 10	151
AS 449 W/O 20	151

1" x 1 1/8" x 12 Gauge Channel.
Stocked in 10' or 20' lengths.
Other lengths available.
Wt/100 Feet: See chart above.

Length in Inches	Wt./100 Pieces	Max. Allowable Load
3	41	450 Lbs.
4	54	600 Lbs.
6	81	850 Lbs.
8	108	1100 Lbs.
12	162	1700 Lbs.

LEGEND:

GR: Powder Coated Supr-Green EG: Electro-Galvanized PG: Pre-Galvanized AL: Aluminum HG: Hot Dipped Galvanized PL: Plain SS: Stainless Steel ZTC: Zinc Trivalent Chromium

PROJECT INFORMATION	APPROVAL STAMP
Project:	Approved
Address:	Approved as noted
Contractor:	Not approved
Engineer:	Remarks:
Submittal Date:	
Notes 1:	
Notes 2:	