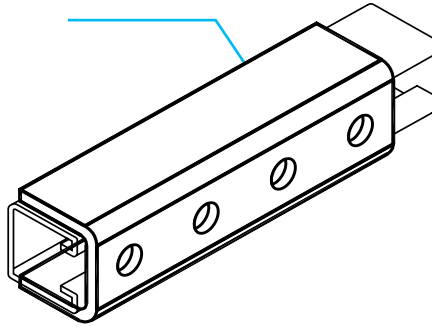


Four Hole Splice Clevis Figs. AS 616, AS 631, AS 629, AS 644, AS 645, AS 646

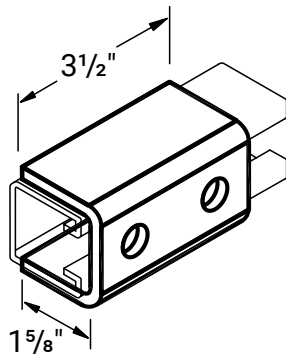


Description

Anvil-Strut Splice Clevises are designed to fit with all Anvil-Strut 1 5/8" wide channels. Unless otherwise noted, Anvil-Strut Splice Clevises are manufactured from 1/4" thick carbon steel, 1 5/8" wide, all holes are 9/16" diameter, spaced 1 7/8" on center and 13/16" from the end.

2-Hole Splice Clevis

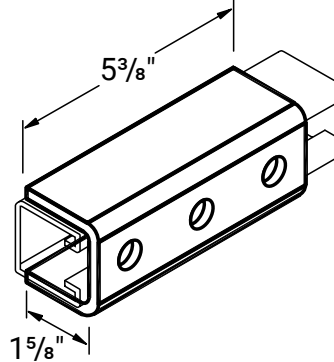
AS 631 EG, GR



Use with AS 200 & AS 210
Std Pkg 25 - Wt/100 pcs: 123 Lbs.

3-Hole Splice Clevis

AS 629 EG, GR



Use with AS 200 & AS 210
Std Pkg 20 - Wt/100 pcs: 195 Lbs.

Page notes unless otherwise specified: 1/4" thick, 1 5/8" wide, holes 9/16" diameter, spaced 1 7/8" on center and 13/16" from end.

LEGEND:

GR: Powder Coated Supr-Green **EG:** Electro-Galvanized **PG:** Pre-Galvanized **AL:** Aluminum
HG: Hot Dipped Galvanized **PL:** Plain **SS:** Stainless Steel
ZTC: Zinc Trivalent Chromium Stainless Steel (**SS**), Zinc Trivalent Chromium (**ZTC**) and Hot Dipped Galvanized (**HG**) are specialty finishes. Pricing is located in the Specialty Strut Section of the Anvil-Strut price book.

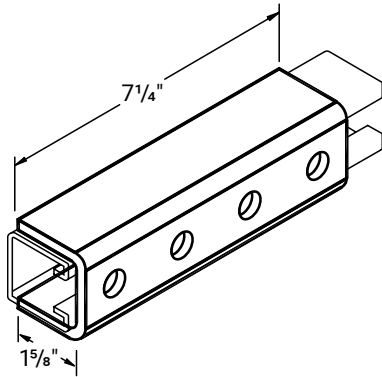


PROJECT INFORMATION	APPROVAL STAMP
Project:	Approved
Address:	Approved as noted
Contractor:	Not approved
Engineer:	Remarks:
Submittal Date:	
Notes 1:	
Notes 2:	

Four Hole Splice Clevis Figs. AS 616, AS 631, AS 629, AS 644, AS 645, AS 646

4-Hole Splice Clevis

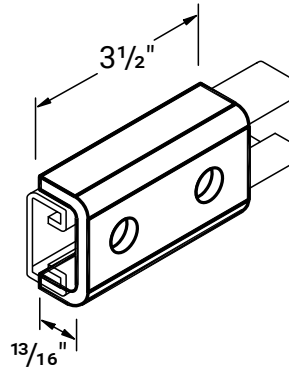
AS 616 EG, GR, ZTC



Use with AS 200 & AS 210
Std Pkg 10 - Wt/100 pcs: 233 Lbs.

2-Hole Splice Clevis

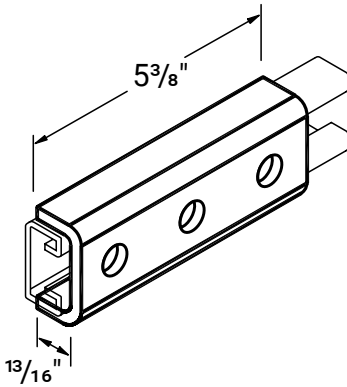
AS 644 EG, GR



Use with AS 500 & AS 520
Std Pkg 20 - Wt/100 pcs: 76 Lbs.

3-Hole Splice Clevis

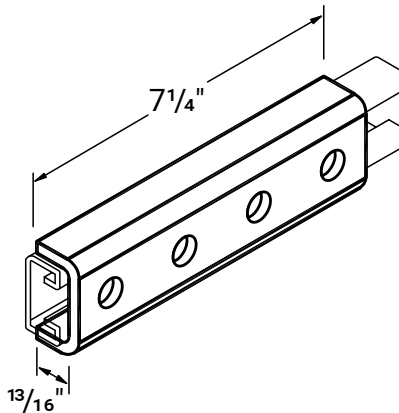
AS 645 EG, GR



Use with AS 500 & AS 520
Std Pkg 10 - Wt/100 pcs: 116 Lbs.

4-Hole Splice Clevis

AS 646 EG, GR, ZTC



Use with AS 500 & AS 520
Std Pkg 10 - Wt/100 pcs: 128 Lbs.

Page notes unless otherwise specified: 1/4" thick, 1 5/8" wide, holes 9/16" diameter, spaced 1 7/8" on center and 13/16" from end.

LEGEND:

GR: Powder Coated Supr-Green EG: Electro-Galvanized PG: Pre-Galvanized AL: Aluminum
HG: Hot Dipped Galvanized PL: Plain SS: Stainless Steel
ZTC: Zinc Trivalent Chromium Stainless Steel (SS), Zinc Trivalent Chromium (ZTC) and Hot Dipped Galvanized (HG)
are specialty finishes. Pricing is located in the Specialty Strut Section of the Anvil-Strut price book.