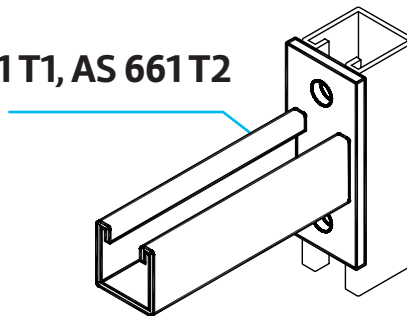


## Reversible Strut Bracket Figs. AS 651, AS 809, AS 661 T1, AS 661 T2



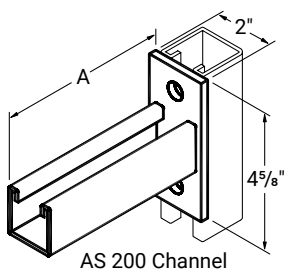
### Description

Anvil-Strut Brackets are designed to support pipe or conduit either suspended from threaded rod or supported as a cantilever from the wall.

**Note:** These brackets can also be used in conjunction with electrical fittings.

### Reversible Strut Bracket

AS 651 EG, GR, ZTC

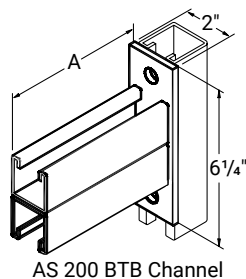


A	Std. Pkg.	Uniform Load Capacity (Lbs)
6"	Bulk	1,932
12"	Bulk	1,107
18"	10	759
24"	Bulk	332

**Note:** 1. Loads Based On Actual Independent Lab Testing On 12 Gage Channel  
2. Safety Factor = 2.5  
Ordering: Specify Part number, length (A) and finish  
Std Pkg: See chart above.

### Double Channel Bracket

AS 809 EG, GR, ZTC



A	Uniform Load Capacity (Lbs)
12"	1,621
18"	1,234
24"	905
30"	727
36"	600

**Note:** 1. Loads Based On Actual Independent Lab Testing On 12 Gage Channel  
2. Safety Factor = 2.5  
Ordering: Specify Part number, length (A) and finish  
Std Pkg Bulk

#### LEGEND:

**GR:** Powder Coated Supr-Green **EG:** Electro-Galvanized **PG:** Pre-Galvanized **AL:** Aluminum  
**HG:** Hot Dipped Galvanized **PL:** Plain **SS:** Stainless Steel  
**ZTC:** Zinc Trivalent Chromium Stainless Steel (**SS**), Zinc Trivalent Chromium (**ZTC**) and Hot Dipped Galvanized (**HG**) are specialty finishes. Pricing is located in the Specialty Strut Section of the Anvil-Strut price book.

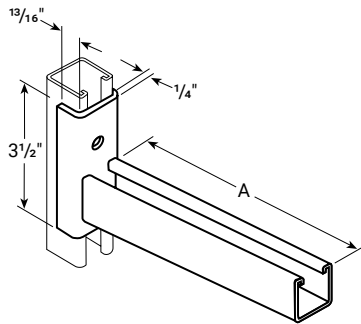


PROJECT INFORMATION	APPROVAL STAMP
Project:	Approved
Address:	Approved as noted
Contractor:	Not approved
Engineer:	Remarks:
Submittal Date:	
Notes 1:	
Notes 2:	

## Reversible Strut Bracket Figs. AS 651, AS 809, 661 T1, 661 T2

### Strut Bracket (Slot Up)

AS 661 T1 GR

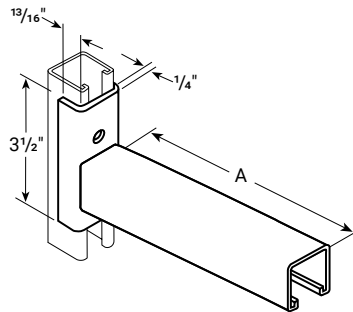


A	Wt./100 Pcs.
6"	191
12"	291
18"	436
24"	536

Std Pkg Bulk – Wt/100 pcs: See chart above.

### Strut Bracket (Slot Down)

AS 661 T2 GR



A	Wt./100 Pcs.
6"	191
12"	291
18"	436
24"	536

Std Pkg Bulk – Wt/100 pcs: See chart above.

#### LEGEND:

**GR:** Powder Coated Supr-Green **EG:** Electro-Galvanized **PG:** Pre-Galvanized **AL:** Aluminum  
**HG:** Hot Dipped Galvanized **PL:** Plain **SS:** Stainless Steel  
**ZTC:** Zinc Trivalent Chromium Stainless Steel (**SS**), Zinc Trivalent Chromium (**ZTC**) and Hot Dipped Galvanized (**HG**) are specialty finishes. Pricing is located in the Specialty Strut Section of the Anvil-Strut price book.