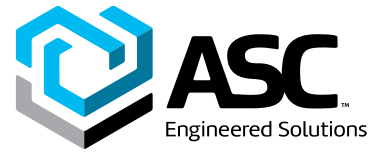


Building connections that last™



# Series 25FN, 25MFN, & 25MN

AWWA Resilient Wedge  
NRS Gate Valves Datasheet




# UL/FM AWWA Resilient Wedge NRS Gate Valve, Flanged With Top Plate

**Fig. 25FN**

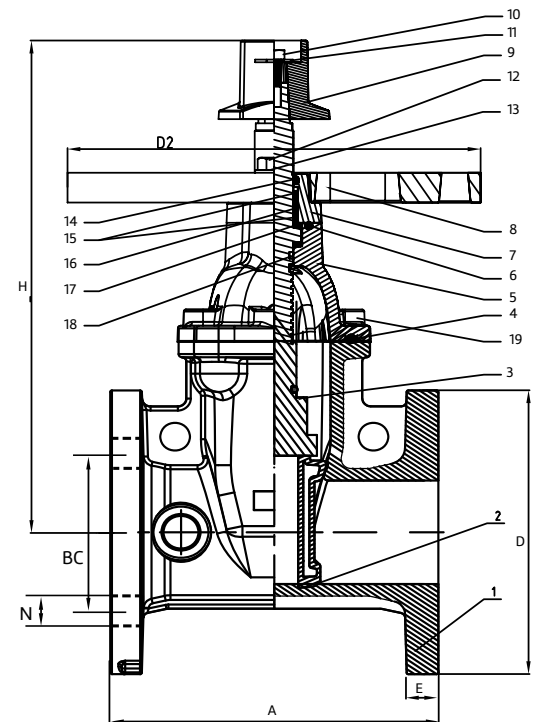


### Design Features

- 300 lb. non-shock cold working pressure
- Ductile iron body and bonnet
- 304 Stainless Steel non-rising stem
- Wax encapsulated stainless cap screws
- Fusion bonded epoxy coating AWWA C550
- Meets AWWA C515
- Certified to ANSI/NSF 61 and 372 (Lead Free)
- UL Listed / FM Approved
-  Brand for full traceability

### Parts & Materials

No.	Part	Material
1	Body	Ductile Iron Gr. A536 65-45-12
2	Wedge	Ductile Iron Gr. A536 65-45-12; EPDM
3	Stem	304 Stainless Steel
4	Bonnet Gasket	EPDM
5	Bonnet	Ductile Iron Gr. A536 65-45-12
6	Packing Gland / O-Ring	EPDM
7	Gland	Ductile Iron Gr. A536 65-45-12
8	Indicator Post Flange	Ductile Iron Gr. A536 65-45-12
9	Square Operating Nut	Ductile Iron Gr. A536 65-45-12
10	Bolt	304 Stainless Steel
11	Flat Washer	304 Stainless Steel
12	Bonnet Bolts	304 Stainless Steel
13	Flat Washer	304 Stainless Steel
14	Ring Wiper	EPDM
15	Packing / Gland O-Ring	EPDM
16	Axis Guide	Brass ASTM B148 C95400
17	Washer	Brass ASTM B148 C95400
18	O-Ring	EPDM
19	Bolt	304 Stainless Steel



### Dimensions

Size	Part Number	Weight	A	BC*	D	D2	E	H	N
In		Lb	In	In	In	In	In	In	In
4	017125FN040	79	9.00	7.50	9.00	12.00	0.75	15.55	8-0.75
6	017125FN060	119	11.50	9.50	11.00	12.00	0.75	18.70	8-0.88
8	017125FN080	189	12.50	11.75	13.50	12.00	0.87	23.03	8-0.88
10	017125FN100	258	14.76	14.25	16.00	12.00	0.94	25.82	12-1.00
12	017125FN120	396	14.88	17.00	19.00	12.00	1.00	29.57	12-1.00


\*Bolt Circle

# UL/FM AWWA Resilient Wedge NRS Gate Valve, Flanged x MJ With Top Plate

**Fig. 25MFN**

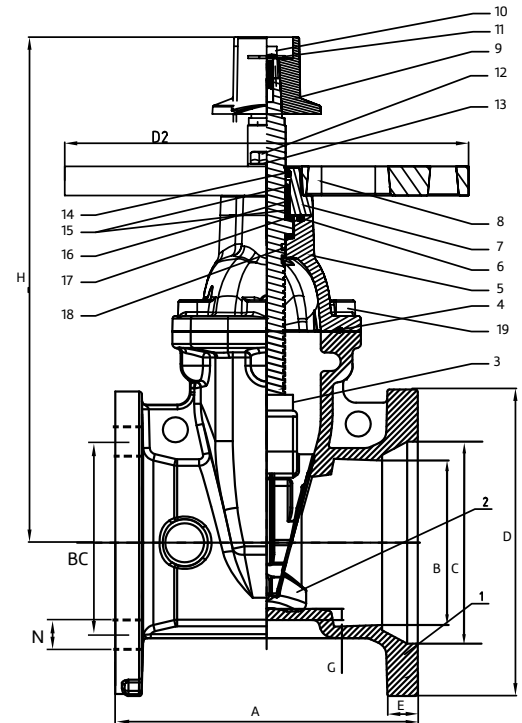


### Design Features

- 300 lb. non-shock cold working pressure
- Ductile iron body and bonnet
- 304 Stainless Steel non-rising stem
- Wax encapsulated stainless cap screws
- Fusion bonded epoxy coating AWWA C550
- Meets AWWA C515
- Certified to ANSI/NSF 61 and 372 (Lead Free)
- UL Listed / FM Approved
-  Brand for full traceability

### Parts & Materials

No.	Part	Material
1	Body	Ductile Iron Gr. A536 65-45-12
2	wedge	Ductile Iron Gr. A536 65-45-12; EPDM
3	Stem	304 Stainless Steel
4	Bonnet Gasket	EPDM
5	Bonnet	Ductile Iron Gr. A536 65-45-12
6	Packing Gland / O-Ring	EPDM
7	Gland	Ductile Iron Gr. A536 65-45-12
8	Indicator Post Flange	Ductile Iron Gr. A536 65-45-12
9	Square Operating Nut	Ductile Iron Gr. A536 65-45-12
10	Bolt	304 Stainless Steel
11	Flat Washer	304 Stainless Steel
12	Bonnet Bolts	304 Stainless Steel
13	Flat Washer	304 Stainless Steel
14	Ring Wiper	EPDM
15	Packing / Gland O-Ring	EPDM
16	Axis Guide	Brass ASTM B148 C95400
17	Washer	Brass ASTM B148 C95400
18	O-Ring	EPDM
19	Bolt	304 Stainless Steel



### Dimensions

Size	Part Number	Weight	A	B	BC*	C	D	D2	E	G	H	N
In		Lb	In	In	In	In	In	In	In	In	In	In
4	017125MFN040	78	9.00	4.90	7.50	6.00	9.13	12.00	0.60	0.31	15.55	8-0.75
6	017125MFN060	117	11.50	7.00	9.50	8.12	11.10	12.00	0.63	0.32	18.70	8-0.88
8	017125MFN080	186	12.50	9.15	11.75	10.27	13.38	12.00	0.66	0.34	23.03	8-0.88
10	017125MFN100	276	14.76	11.20	14.25	12.34	15.63	12.00	0.70	0.36	25.82	12-1.00
12	017125MFN120	417	14.88	13.30	17.00	14.44	17.89	12.00	0.73	0.38	29.57	12-1.00

\*Bolt Circle

# UL/FM AWWA Resilient Wedge NRS Gate Valve, Mechanical Joint With Top Plate

**Fig. 25MN**

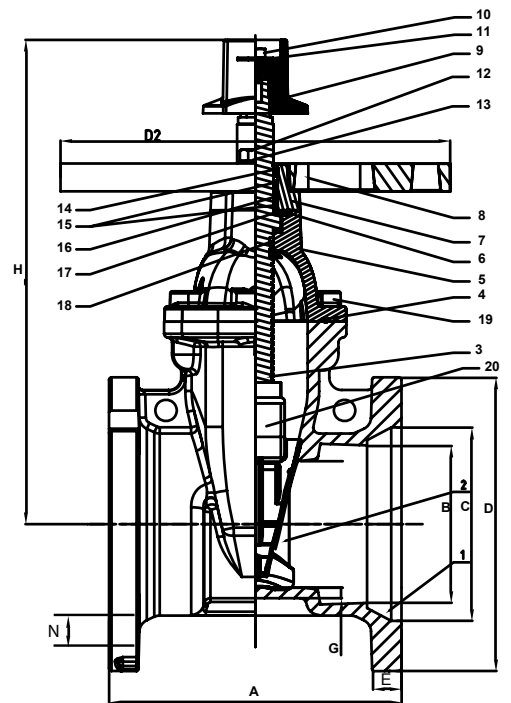


## Design Features

- 300 lb. non-shock cold working pressure
- Ductile iron body and bonnet
- 304 Stainless Steel non-rising stem
- Wax encapsulated stainless cap screws
- Fusion bonded epoxy coating AWWA C550
- Meets AWWA C515
- Certified to ANSI/NSF 61 and 372 (Lead Free)
- UL Listed / FM Approved
- Brand for full traceability

## Parts & Materials

No.	Part	Material
1	Body	Ductile Iron Gr. A536 65-45-12
2	Wedge	Ductile Iron Gr. A536 65-45-12, EPDM
3	Stem	304 Stainless Steel
4	Bonnet Gasket	EPDM
5	Bonnet	Ductile Iron Gr. A536 65-45-12
6	Packing Gland / O-Ring	EPDM
7	Gland	Ductile Iron Gr. A536 65-45-12
8	Indicator Post Flange	Ductile Iron Gr. A536 65-45-12
9	Square Operating Nut	Ductile Iron Gr. A536 65-45-12
10	Bolt	304 Stainless Steel
11	Flat Washer	304 Stainless Steel
12	Bonnet Bolts	304 Stainless Steel
13	Flat Washer	304 Stainless Steel
14	Ring Wiper	EPDM
15	Packing / Gland O-Ring	EPDM
16	Axis Guide	Brass ASTM B148 C95400
17	Washer	Brass ASTM B148 C95400
18	O-Ring	EPDM
19	Bonnet Bolt	304 Stainless Steel
20	Wedge Nut	ASTM B62 C83600



## Dimensions

Size	Part Number	Weight	A	B	C	D	D2	E	G	H	H
In		Lb	In	In	In	In	In	In	In	In	In
4	017125MN040	78	9.00	4.90	6.00	9.00	12.00	0.60	0.31	15.55	4-0.875
6	017125MN060	120	11.50	7.00	8.12	11.00	12.00	0.63	0.32	18.70	6-0.875
8	017125MN080	191	12.50	9.15	10.27	13.50	12.00	0.66	0.34	23.03	6-0.875
10	017125MN100	286	14.76	11.20	12.34	16.00	12.00	0.70	0.36	25.82	8-0.875
12	017125MN120	419	14.88	13.30	14.44	19.00	12.00	0.73	0.38	29.57	8-0.875

### **About ASC Engineered Solutions**

ASC Engineered Solutions is defined by quality—in its products, services and support. With more than 1,400 employees, the company's portfolio of precision-engineered piping support, valves and connections provides products to more than 4,000 customers across industries, such as mechanical, industrial, fire protection, oil and gas, and commercial and residential construction. Its portfolio of leading brands includes ABZ Valve®, AFCON®, Anvil®, Anvil EPS, Anvil Services, Basic-PSA, Beck®, Catawissa, Cooplet®, FlexHead®, FPPI®, Golvlok®, J.B. Smith, Merit®, North Alabama Pipe, Quadrant®, SCI®, Sharpe®, SlideLOK®, SPF® and SprinkFLEX®. With headquarters in Commerce, CA, and Exeter, NH, ASC also has ISO 9001:2015 certified production facilities in PA, TN, IL, TX, AL, LA, KS, and RI.



[asc-es.com](http://asc-es.com)

Building connections that last™

FC-DS-Series-25FN-25MFN-25MN-v01 20211208

