

## Alarm Bell Fig. 02-450



### Specifications

Size	Item Number
6" 120VAC	02-452-00
10" 120VAC	02-450-00
6" 24VDC	02-452-50
10" 24VDC	02-450-50

**Finish:**  
Red

**Additional Accessories:**  
ABS Back Box  
Wire Bell Cage  
911 Bell Sign

### Description

The 6" and 10" Alarm Bells provide an audible notification of a sprinkler system event. Can be used to signal flow with in the sprinkler system or tampering with a monitored valve. Each bell is complete and provides 4 wire connectivity for "through" wiring to additional devices. UL Listed. Available in 120VAC or 24VDC.

### Installation

Installation of the alarm bell should be performed by a qualified electrician only. Improper installation may cause electrical shock, damage or failure of one or more connected devices.

1. Remove gong.
2. Wire the bell in the circuit according to attached instructions.
3. Mount bell mechanism on 4" square standard outlet box with the striker facing down.
4. Replace gong.
5. The bell must be mounted a minimum of 8ft., above the floor, or, as close to the ceiling as possible.

MAKE SURE SOURCE POWER HAS BEEN DISCONNECTED AND "LOCKED OUT" PRIOR TO INSTALLATION AND CONNECTION OF THE ALARM BELL TO ANY DEVICE. Use with:

Bell Back Box  
02-454-00



Bell Guard  
02-457-00



Bell Sign  
02-057-00



**FPPI**  
An ASC Engineered Solution

PROJECT INFORMATION	APPROVAL STAMP
Project:	Approved
Address:	Approved as noted
Contractor:	Not approved
Engineer:	Remarks:
Submittal Date:	
Notes 1:	
Notes 2:	

## Alarm Bell Installation Instructions



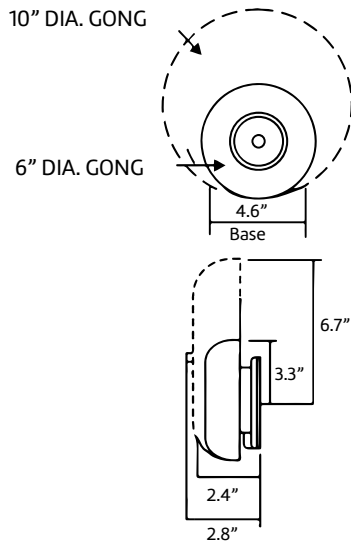
### Specifications

Size	Item Number
6" 120VAC	02-452-00
10" 120VAC	02-450-00
6" 24VDC	02-452-50
10" 24VDC	02-450-50

**Finish:**  
Red

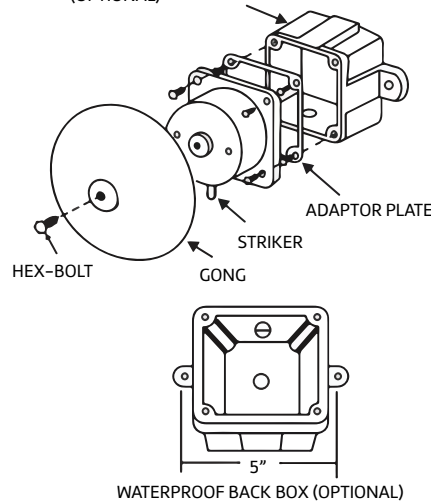
**Additional Accessories:**  
ABS Back Box  
Wire Bell Cage  
911 Bell Sign

#### BASIC MECHANISM AND GONGS



#### SEMI-FLUSH INSTALLATION

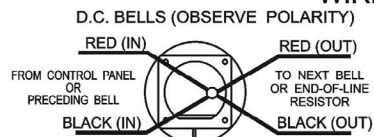
WATERPROOF BACK BOX (FOR OUTDOOR USE) (OPTIONAL)



#### AUDIBILITY RATING (dB at 10FT)

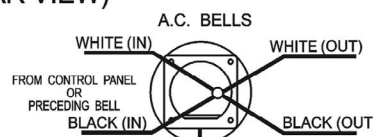
MODEL	6" GONG SIZE			10" GONG SIZE	
	RATING VOLTAGE	RATED CURRENT	SOUND LEVEL AT 10 FT dB	RATED CURRENT	SOUND LEVEL AT 10 FT dB
COIL	6VDC	250mA	95	250mA	95
	12VDC	200mA	96	200mA	96
	24VDC	100mA	96	100mA	96
	120VAC	46mA	98	46mA	98
	220VAC	20mA	97	20mA	97

#### WIRING (REAR VIEW)



**CAUTION:**  
WHEN ELECTRICAL SUPERVISION IS REQUIRED USE IN AND OUT LEADS AS SHOWN.

- NOTES:**
- 1.OBSERVE POLARITY TO RING D.C. BELLS.
  - 2.RED WIRES POSITIVE (+)
  - 3.BLACK WIRES NEGATIVE (-)



**CAUTION:**  
WHEN ELECTRICAL SUPERVISION IS REQUIRED USE IN AND OUT LEADS AS SHOWN.

- NOTES:**
- 1.WHEN USING A.C. BELLS, TERMINATE EACH EXTRA WIRE SEPARATELY AFTER LAST BELL.

#### INSTALLATION NOTE

- 1.Remove a gong
- 2.Wire the bell in the circuit.
- 3.Mount bell mechanism on 4" square standard outlet box with the striker facing down.
- 4.Replace a gong
- 5.The bell must be mounted a minimum of 8ft., above the floor, or, as close to the ceiling as possible.
- 6.Polarized bell provides Red(+) and Black(-) lead wires. When you install the bell, observe the polarity.