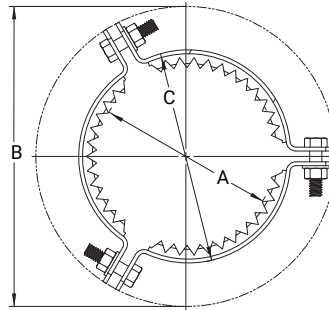
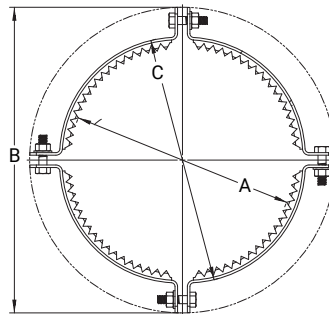


No-Hub Pipe Joint Restraint Fig. 213



4" thru 6" CI Pipe Size



8" CI Pipe Size

Material Specifications

Size Range

4" – 8" No-Hub Cast Iron Pipe Diameter

Material

Electro-galvanized

Service

These restraints are intended for use with cast iron soil pipe to provide restraint against movement that could cause the failure of the no-hub pipe coupling.

Approvals

Designed to meet the requirements of the Cast Iron Soil Pipe Institute (CISPI) Standard Specification for hub-less cast-iron soil pipe and fittings for sanitary and storm drain waste and vent piping applications, CISPI Designation 301-18.

Installation

Install one Fig. 213 No-Hub Restraint at each location over a no-hub fitting. Align the restraint so that the opening of the restraint allows access to the no-hub fitting if adjustment is needed. Align the scalloped cut out section of the restraint to allow proper fit when installed on an angled fitting. Install by tightening all the hex bolts of the restraint. Flanges will visibly bend to form a V shape when properly installed, See illustration on page 2.

Features

- Designed for installation to straight couplings, 90°, 45°, Tee, Wye-Strainers, etc. One design works for all types of fittings.
- No bands or straps to wrap around pipe joints.
- Fast and easy Installation
- Open access to no-hub fitting if adjustment is needed

Ordering

Specify figure number and no-hub pipe size.

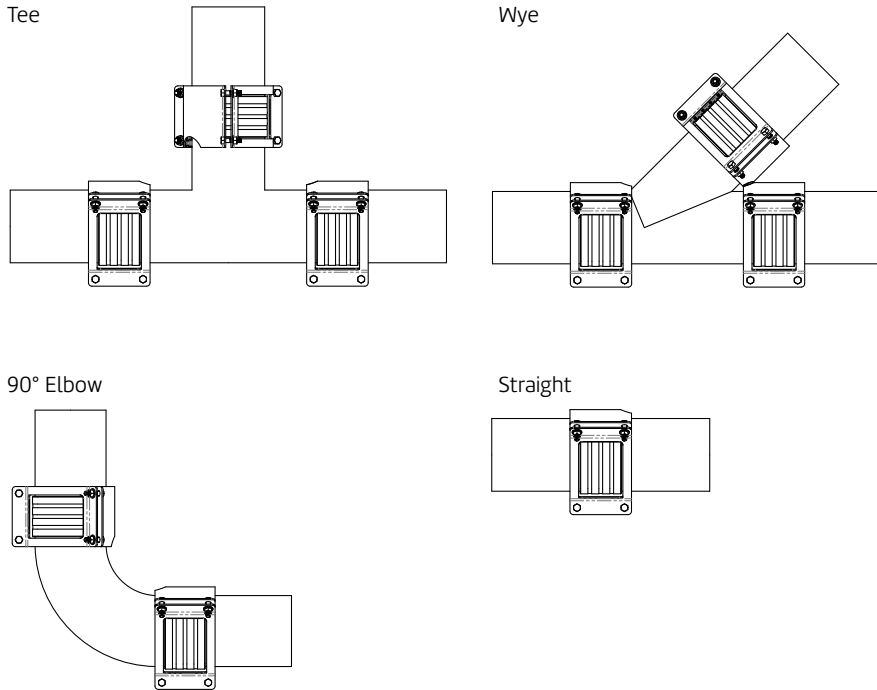


Size (Inches)	A	B	C	Bolt Size	Weight (lbs)
	In./mm	In./mm	In./mm	In./mm	
4	4.33 110	7.68 133	5.04 128	M8	1.95
5	5.31 135	8.73 158	6.02 153	M10	2.45
6	6.30 160	9.79 183	7.01 178	M10	2.78
8	8.27 210	11.81 233	8.98 228	M10	3.77

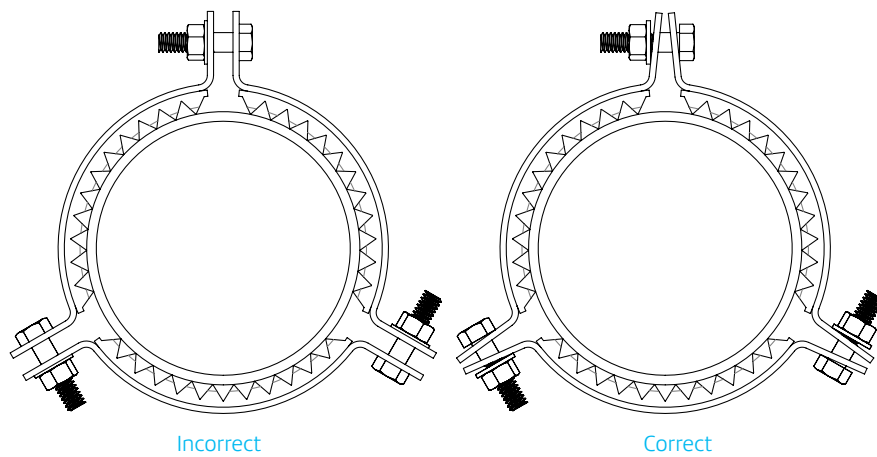
PROJECT INFORMATION	APPROVAL STAMP
Project:	Approved
Address:	Approved as noted
Contractor:	Not approved
Engineer:	Remarks:
Submittal Date:	
Notes 1:	
Notes 2:	

Fig. 213 No-Hub Pipe Joint Restraint

Application Examples



Installation Example



Install by tightening all the hex bolts of the restraint. Flanges will visibly bend to form a V shape when properly installed.



asc-es.com

Building connections that last™