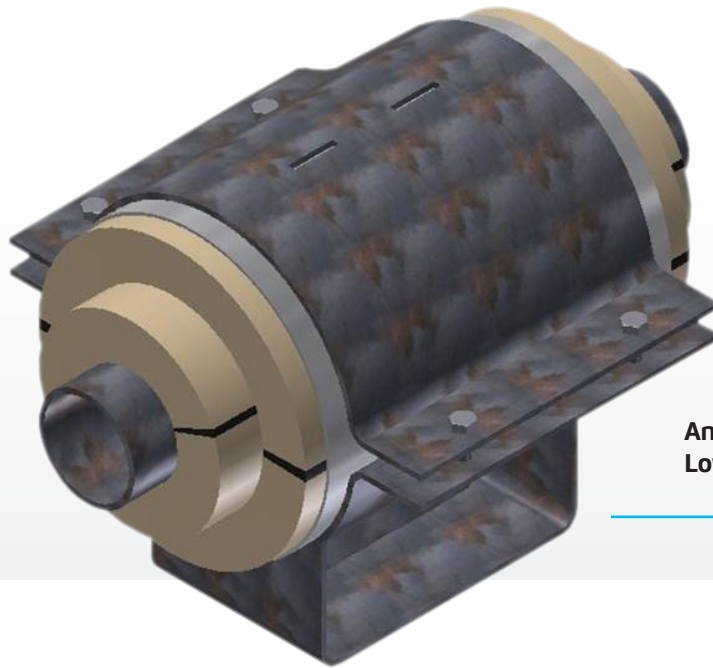


Anvil[®] XLT[™] Extreme Low Temp Pipe Support



Anvil[®] XLT[™] Extreme
Low Temp Pipe Support

About the Product

Description

Anvil XLT line of supports are an ideal solution for all of your cold temperature and cryogenic piping applications. Our XLT line of supports are engineered to support the load and temperature requirements for the production, transportation and distribution of Liquefied Natural Gas (LNG), as well as custom cryogenic process applications.

Anvil XLT line of supports have been carefully engineered to meet industry standard specifications and international standards for pipe sizes ranging from ¼" to 20" standard. Knowing that the PIR (Polyisocyanurate) and PUR (Polyurethane) material is the most critical component, we have partnered with a leading domestic manufacturer for the highest quality insulation material.

Our standard 6, 10 & 15 pcf density PIR insulation material has a thermal conductivity of .2 btu*in/hr*ft² and is manufactured to the diameters of ASTM C 585 under carefully controlled conditions to ensure proper density, dimensional uniformity, and stability. Our PIR has clean, sharp edges and is available in single and multilayered systems. Multilayered insulation features a ship lapped design that has stepped radial and offset longitudinal joints. These features and careful attention to detail guarantee a tight fit up with the run pipe insulation and prevent a direct vapor path from the environment to your process pipe. Our custom insulation is available in densities from 2 to 20 lbs./ft.³.

A Partner You Can Trust

Formerly ITT Grinnell, Anvil EPS is the founding domestic manufacturer of pipe supports. With over 150 years experience, we know how to get the job done and do it right.

Custom Solutions On-Demand

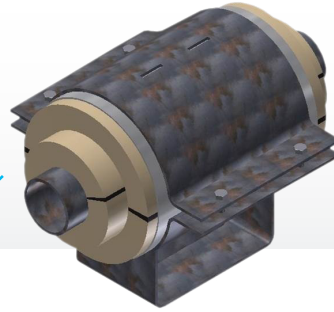
Our latest ForgeWorx[™] Pro ETO[™] technology allows our Engineers and Designers to create custom pipe supports to solve even the most complex problems.

Global Reach

ASC Engineered Solutions[™]'s engineered pipe supports have been used on projects in every corner of the globe from nuclear facilities, large solar fields, power generation facilities, marine and defense applications.



Anvil® XLT™ Extreme Low Temp Pipe Support



Anvil® XLT™ Extreme Low Temp Pipe Support

Anvil XLT supports are furnished with a prebonded vapor barrier. This nearly impermeable fire retardant membrane covers all exposed surfaces of the insulation and prevents moisture ingress. The vapor barrier is sealed with preapplied adhesive on overlapping segments of the vapor barrier. Covering the foil and providing additional protection and support to the insulation assembly is a galvanized metal jacket. The standard pipe shoe base is manufactured from ASTM A-36, or A-515/516 Gr. 65 or 70 carbon steel and is designed to support the PIR insulation and pipe clamp. Slides are also available in ASTM A-240 Type 304 or 316 stainless steel. Slides can be finished in our standard primer, or for corrosive environments, we can offer our Carbozinc-11 or hot-dipped galvanized finish.

Impeccable Performance for Critical Applications

Available with a variety of clamping options, hold down lugs and PTFE slide plates, Anvil insulated supports can be used in a variety of applications and on a wide range of pipelines. Drawings or 3D models in a variety of formats are available upon quotation.

All Anvil XLT supports are fully assembled, marked according to specification and carefully packaged to protect against moisture ingress and damage during transportation. All XLT supports come with detailed insulation instructions and standard installation kits are available upon request.

Ordering

To order, please specify the following:

- Design Temperature
- Insulation Thickness
- Movements—Axial, Lateral
- Pipe OD
- Slide Height—From bottom of pipe to bottom of slide “H”
- Material
- Finish

Services

- Technical Support
- Application Support
- Field Service
- Guaranteed Warranty

Technical information

Temperature

Standard Line Capable down to -297°F .

Pipe Diameters

Pipe OD's from $\frac{1}{2}$ " to 12" with larger OD available.

Insulation

Our 95% closed cell standard PIR insulation has a density of 6 pcf with a thermal conductivity of $.2 \text{ btu}\cdot\text{in}/\text{hr}\cdot\text{ft}^2$ and is available in single and multilayer systems with insulation thicknesses of 2, 4 & 6".

Attachment Options

Welded or bolted attachment options.

Maintenance

No maintenance with PTFE slide plates.



Please contact your local ASC Engineered Solutions sales representative.



asc-es.com

Building connections that last™

