

Anvil Shields

Fig. 31
Fig. 33



Fig. 35
Fig. 36

Fig. 31
Universal Shield
Clevis Adapter

Fig. 37
Fig. 38



Fig. 36
Universal Shield
I-Beam Adapter

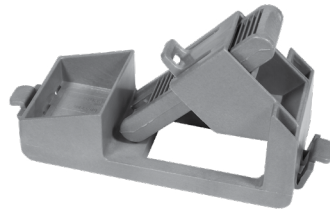


Fig. 33
Universal Shield
Angle Adapter

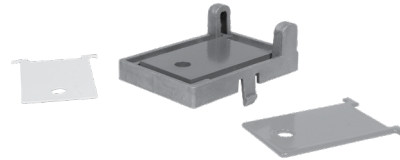


Fig. 37
Universal Shield
Shock Detector

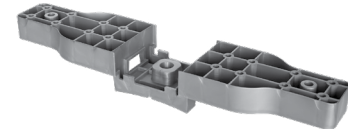


Fig. 35
Universal Shield
Floor Adapter

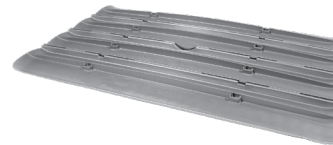


Fig. 38
Universal Shield
Insulation Cover

Anvil Shields allow for the support of insulated horizontal refrigeration, mechanical, and plumbing pipe and tube.

The Universal Shield allows for quick and easy installation to I-beams, steel angle, clevis hangers, and the floor through patented, interchangeable inserts.

Features and Benefits

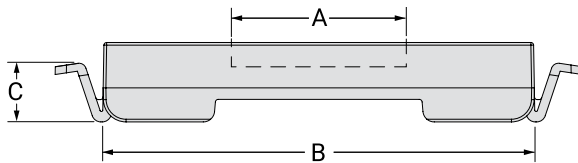
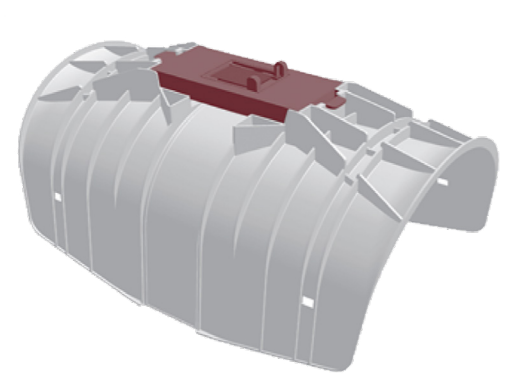
- Tool Free Installation
- -40°F to 178°F
- >40% faster to install than metal or standard plastic shields
- 80% faster to install than clamps and collars
- Non-adhesive surface allows for the linear expansion of thermal insulation and eliminates insulation tears.



PROJECT INFORMATION	APPROVAL STAMP
Project:	Approved
Address:	Approved as noted
Contractor:	Not approved
Engineer:	Remarks:
Submittal Date:	
Notes 1:	
Notes 2:	

Anvil Shields

Fig. 31: Universal Shield Clevis Adapter



Dimensions (In)

A	B	C
1 ⁷ / ₈	4 ³ / ₄	7 ⁷ / ₈

Description

Size Range

From 2" through 12" Clevis (Fig. 260) when used with Fig. 30.

Material

UV Resistant Polypropylene 20% Glass Filled.

Temperature

Operating temperature between -40°F to 178°F (-40°C to 81°C).

Color

Gray

Service

Support of insulated horizontal refrigeration, air conditioning, and plumbing pipe when used with Fig. 30.

Approvals

UL classified for USA (UL-723 (ASTM E84)) and ULC listed for Canada (ULC-S102.2).

Installation

After installation of Fig. 30 with Fig. 260 clevis hanger, clip into the bottom of the Fig. 30 in order to secure the Fig. 260.

Ordering

Specify figure number and size.

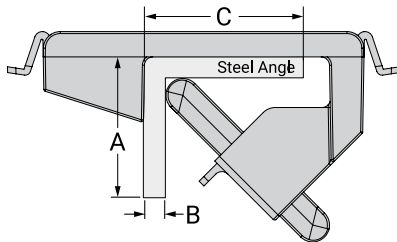
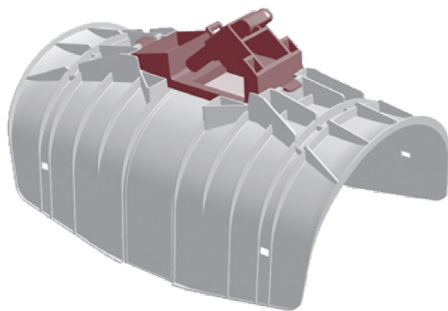
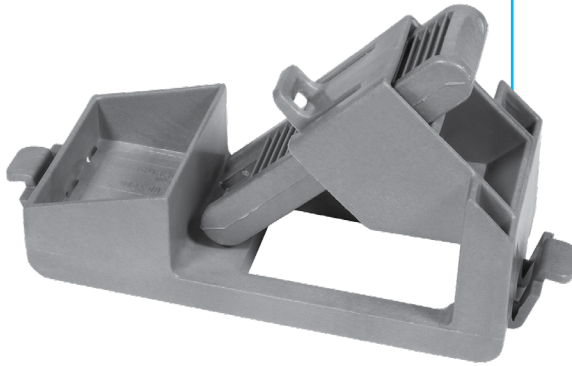


asc-es.com

Building connections that last™

Anvil Shields

Fig. 33: Universal Shield Angle Adapter



Description

Size Range

1/2" to 2 5/8" Steel Angle.

Material

UV Resistant Polypropylene 20% Glass Filled.

Temperature

Operating temperature between -40°F to 178°F (-40°C to 81°C).

Color

Gray

Service

Support of insulated horizontal refrigeration, air conditioning, and plumbing pipe when used with Fig. 30.

Approvals

UL classified for USA (UL-723 (ASTM E84)) and ULC listed for Canada (ULC-S102.2).

Installation

Clip into the Fig. 30 and then clip directly on steel angle or C-channel.

Ordering

Specify figure number.

Dimensions (In)

A Min	A Max	B Min	B Max	C Min	C Max
1/2	2 5/8	1/8	5/8	1/2	2 5/8

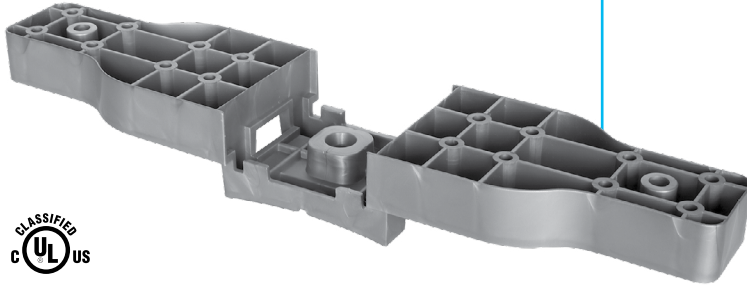


asc-es.com

Building connections that last™

Anvil Shields

Fig. 35: Universal Shield Floor Adapter



Description

Material

UV Resistant Polypropylene 20% Glass Filled

Temperature

Operating temperature between
-40°F to 178°F (-40°C to 81°C).

Color

Gray

Service

Support of insulated horizontal refrigeration, air conditioning, and plumbing pipe when used with Fig. 30, Fig. 31, and Fig. 34.

Approvals

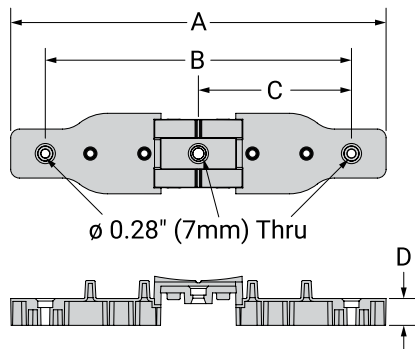
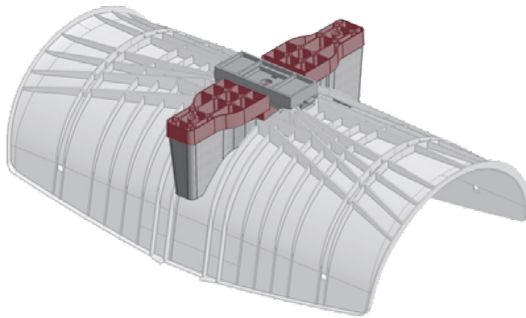
UL classified for USA (UL-723 (ASTM E84)) and ULC listed for Canada (ULC-S102.2).

Installation

Center under Fig. 30 and Fig. 34. Clip Fig. 31 over the Floor Adapter into the Fig. 30 in order to secure it.

Ordering

Specify figure number.



Dimensions (In)

A	B	C	D
10 ⁷ / ₁₆	8 ¹ / ₂	4 ¹ / ₄	³ / ₄

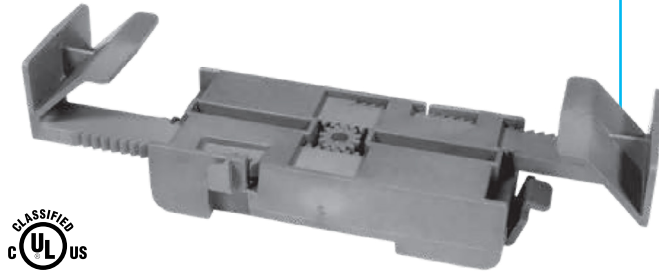


asc-es.com

Building connections that last™

Anvil Shields

Fig. 36: Universal Shield I-Beam Adapter



Description

Material

UV Resistant Polypropylene 20% Glass Filled.

Temperature

Operating temperature between -40°F to 178°F (-40°C to 81°C).

Color

Gray

Service

Support of insulated horizontal refrigeration, air conditioning, and plumbing pipe when used with Fig. 30.

Approvals

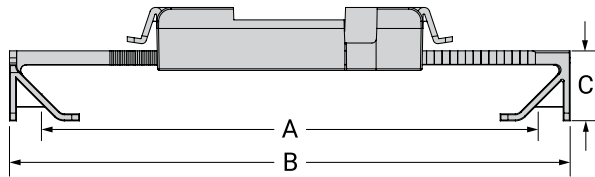
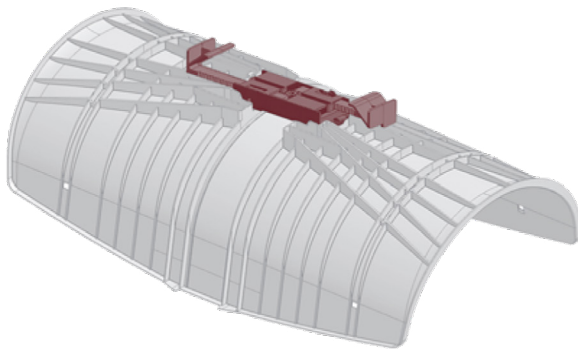
UL classified for USA (UL-723 (ASTM E84)) and ULC listed for Canada (ULC-S102.2).

Installation

Clip into the Fig. 30 and then clip directly on an I-Beam.

Ordering

Specify figure number.



Dimensions (In)

A Min	A Max	B Max	C
3½	8⅞	10	¾



asc-es.com

Building connections that last™

Anvil Shields

Fig. 37: Universal Shield Shock Detector



Description

Size Range

1.4G, 1.6G, 1.8G Downward Acceleration

Material

UV Resistant Polypropylene 20% Glass Filled.
(Carbon Steel Flags)

Temperature

Operating temperature between
-40°F to 178°F (-40°C to 81°C).

Color

Gray

Service

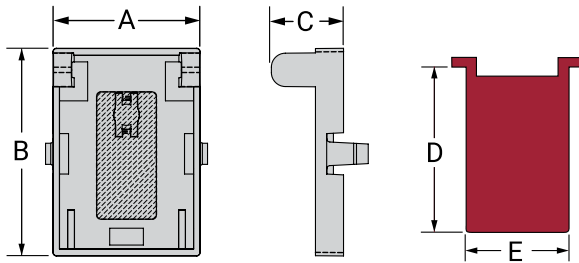
Magnetic shock detection device provides a visual indication that the piping system has experienced accelerations of various magnitudes.

Approvals

UL classified for USA (UL-723 (ASTM E84))
and ULC listed for Canada (ULC-S102.2).

Ordering

Specify figure number.



Dimensions (In)

A	B	C	D	E
1 ⁵ / ₁₆	1 ⁷ / ₈	⁵ / ₈	1 ⁷ / ₁₆	⁷ / ₈

Flag Color and Designed Acceleration

Flag Color	Downward Allowable Acceleration
Yellow	1.8G
Orange	1.6G
Red	1.4G

Note:

Each unit is supplied with all three interchangeable flags.



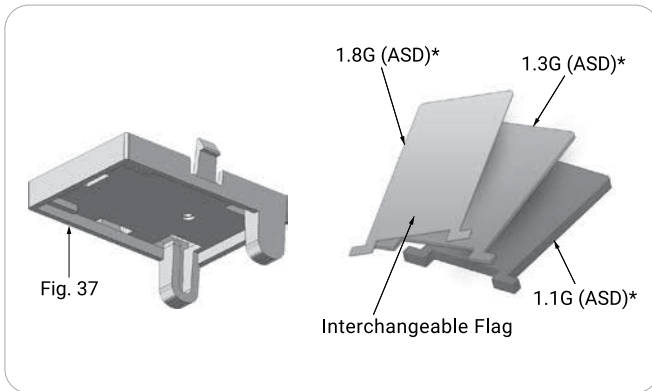
asc-es.com

Building connections that last™

Anvil Shields

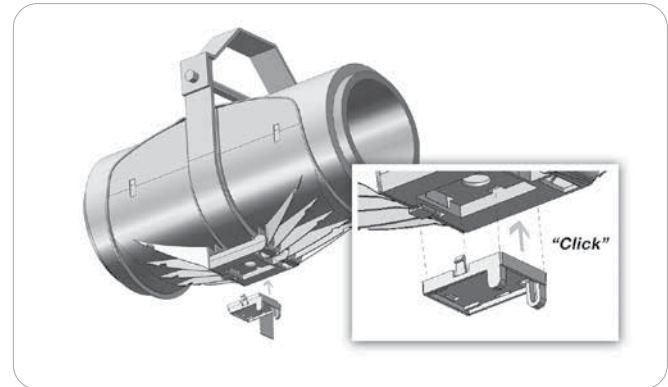
Fig. 37: Universal Shield Shock Detector

Installation

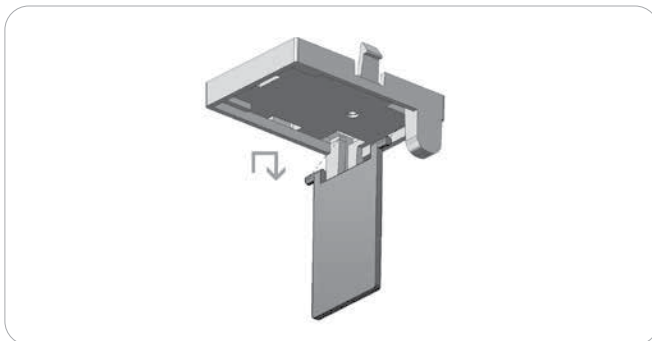


STEP 1 Required installation components

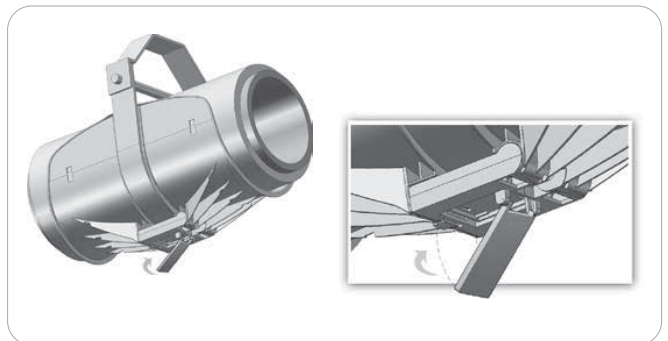
Each flag will trigger at a different shock intensity. Flags are easily interchangeable for different shock tolerance. Various flags thickness for different shock intensity.



STEP 2 Clip Fig. 37 into Fig. 31 Universal Shield Clevis Adapter



STEP 3 Insert flag into Fig. 37



STEP 4 Move the flag in closed position



asc-es.com

Building connections that last™

Anvil Shields

Fig. 38: Universal Shield Insulation Cover



Description

Size Range

Up to 12⁵/₈" O.D. Insulation.

Material

UV Resistant Polypropylene 20% Glass Filled.

Temperature

Operating temperature between -40°F to 178°F (-40°C to 81°C).

Color

Gray

Approvals

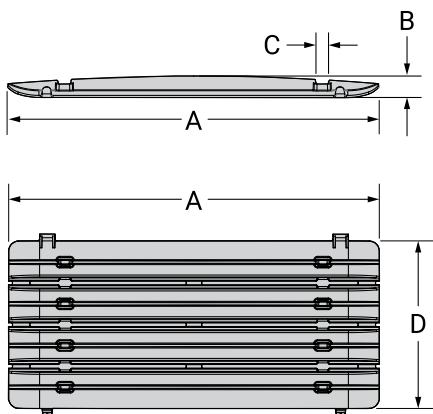
UL classified for USA (UL-723 (ASTM E84)) and ULC listed for Canada (ULC-S102.2).

Installation

- Cut to desired size
- Place over insulation and line up mounting notches with Fig. 30
- Secure insulation shield with tie wraps

Ordering

Specify figure number and size.



Dimensions (In)

Size	A	B	C	D	Fig. 30 Size
A	12	13 ¹ / ₁₆	7 ¹ / ₁₆	5 ⁷ / ₁₆	A to E
B	18	3 ³ / ₄		10 ¹³ / ₁₆	F to H



asc-es.com

Building connections that last™