

ANVIL-STRUT™

A BRAND OF ANVIL INTERNATIONAL

Cross Reference Guide

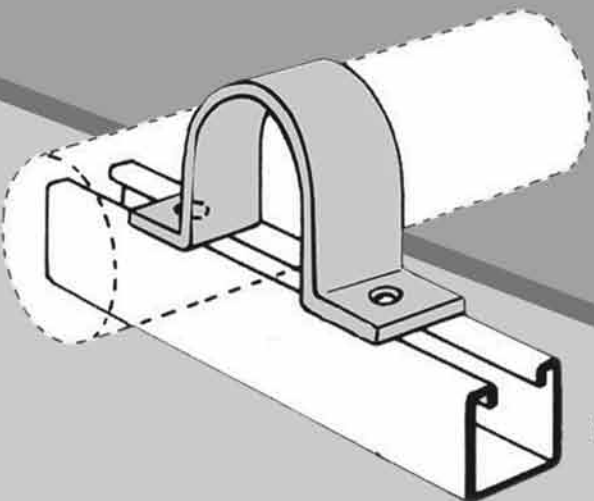
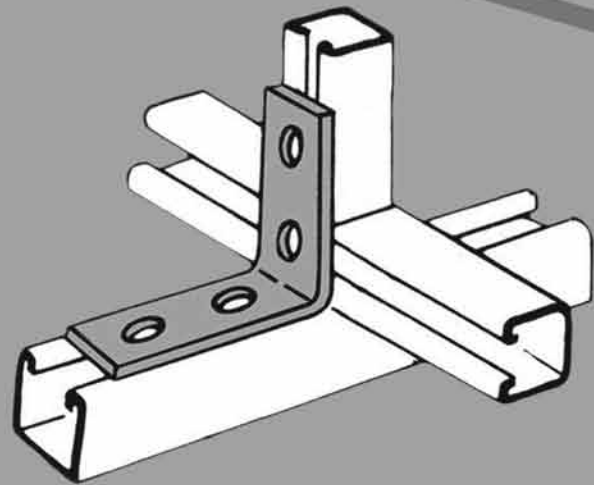
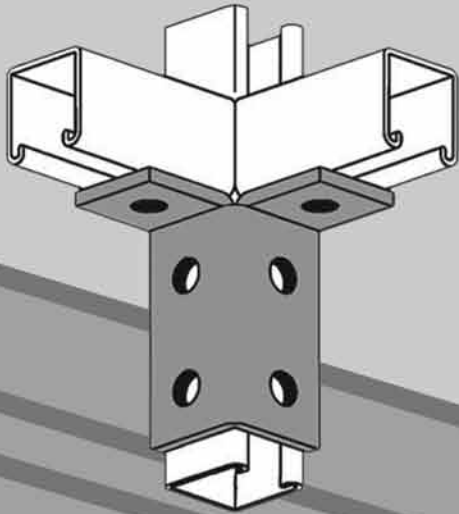
B-line • Eri strut

Globe • Haydon

Kindorf • PHD

Power-Strut • Superstrut

Tolstrut • Unistrut



Anvil-Strut has made every attempt to assure accuracy of this cross reference list, however complete accuracy can not be guaranteed as this list is intended for application only and similar parts may differ in dimension and configuration. Contact your Anvil-Strut representative for additional information.

Anvil-Strut™ Cross Reference Guide

B-LINE

B-Line Number	Anvil-Strut Number	B-Line Number	Anvil-Strut Number	B-Line Number	Anvil-Strut Number	B-Line Number	Anvil-Strut Number
ATR	G146	B-137	---	B-179-SH-R	AS 838 14 R	B-2031	AS 1200 1 1/4
B-101	AS 604	B-138	---	B-180-SH-L	AS 838 16 L	B-2032	AS 1200 1 3/8
B-102	AS 605	B-139	AS 617	B-180-SH-R	AS 838 16 R	B-2033	AS 1200 1 1/2
B-103	AS 606	B-140	AS 718	B-181-SH-L	AS 838 18 L	B-2034	AS1200 1 5/8
B-104	AS 607	B-1400	AS 270 3/8" - 1/2"	B-181-SH-R	AS 838 18 R	B-2035	AS 1200 1 3/4
B-104-SH	---	B-141	AS 602	B-182-SH-L	AS 838 20 L	B-2036	AS 1200 1 7/8
B-105	AS 611	B-1410	AS 270 3/4	B-182-SH-R	AS 838 20 R	B-2037	AS 1200 2
B-106-12	AS 2601	B-142	AS 750	B-183-SH-L	AS 838 22 L	B-2038	AS 1200 2 1/8
B-106-32	AS 711	B-1420	AS 270 1	B-183-SH-R	AS 838 22 R	B-2039	AS 1200 2 1/4
B-106-42	AS 612	B-1425	AS 270 11/4	B-184-SH-L	AS 838 6 L	---	AS 122 2 3/8
B-106-52	AS 928	B-143	AS 719	B-184-SH-R	AS 838 6 R	B-2041	AS 1200 2 1/2
B-107	AS 613	B-1440	AS 270 11/2	B-185-SH-L	AS 838 8 L	B-2042	AS 1200 2 5/8
B-1071	AS 3103	B-1450	AS 270 2	B-185-SH-R	AS 838 8 R	B-2043	AS 1200 2 3/4
B-1072	AS 3103	B-1460	---	B-186-SH-L	AS 838 10 L	---	AS 122 2 7/8
B-107-22-A	AS 679	B-147	AS 633 82 1/2	B-186-SH-R	AS 838 10 R	B-2045	AS 1200 3
B-1073	AS 3104	B-1470	---	B-187	AS 732-8	B-2046	AS 1200 3 1/8
B-1074	AS 3105	B-148	AS 633 75	B-188	AS 732 12	B-2047	AS 1200 3 1/4
B-1075	AS 3106	B-1480	---	B-189	AS 732 14	B-2048	AS 1200 3 3/8
B-1076	AS 3106	B-149	AS 633 67 1/2	B-190	---	---	AS 1200 3 1/2
B-1077	AS 3107	B-1490	---	B-191-18	---	B-2050	AS 1200 3 5/8
B-1078	AS 3108	B-150	AS 633 60	B-191-24	---	B-2051	AS 1200 3 3/4
B-1079	AS 3109	B-1508	AS 3103	B-192	---	B-2052	AS 1200 3 7/8
B-107-S	---	B-1508-S	AS 3103	B-194	AS 708	---	AS 1200 4
B-108	---	B-151	AS 633 52 1/2	B-196-18	AS 661 T1 18	B-2054	AS 1200 4 1/8
B-1080	AS 3110	B-1512	AS 3104	B-196-24	AS 661 T1 24	B-2055	AS 1200 4 1/4
B-1081	AS 3111	B-1512-S	AS 3104	B-198-12	AS 661 T1 12	B-2056	AS 1200 4 3/8
B-1082	AS 3112	B-1516	AS 3105	B-198-6	AS 661 T1 6	---	AS 1200 4 1/2
B-1083	AS 3114	B-1516-S	AS 3105	B-198-A12	AS 661 T2 12	B-2058	AS 1200 4 5/8
B-1084	AS 3115	B-152	AS 633 37 1/2	B-198-A6	AS 661 T2 6	B-2059	AS 1200 4 3/4
B-109-S	---	B-1520	AS 3106	B-1999	AS 3792	B-206	AS 656
B-11	AS 100	B-1520-S	AS 3106	B-200	AS 619 1/4	B-2060	AS 1200 4 7/8
B-110	---	B-1524-S	AS 3107	B-2000	---	B-2062	AS 1200 5 1/8
B-111	---	B-1532-S	AS 3109	B-2001	AS 1000 1/2	B-2063	AS 1200 5 1/4
B-112	AS 689 A	B-1534-S	AS 3110	B-2002	AS 1000 3/4	B-2064	AS 1200 5 3/8
B-113	AS 689 B	B-154	AS 633 45	B-2003	AS 1000 1	B-2065	AS 1200 5 1/2
B-115	AS 660	B-1540-S	AS 3111	B-2004	AS 1000 1 1/4	B-2066	AS 1200 5 5/8
B-116-32	AS 710	B-1548-S	AS 3112	B-2005	AS 1000 1 1/2	B-2067	AS 1200 5 3/4
B-116-32-A	AS 2648	B-155	AS 624 45	B-2006	AS 1000 2	B-2068	AS 1200 5 7/8
B-116-42	AS 978	B-1556-S	AS 3114	B-2007	AS 1100 3/8	B-2069	AS 1200 6
B-118	AS 748	B-156	AS 624 821/2	B-2008	AS 1100 1/2	---	AS 1200 6 5/8
B-119	AS 665	B-157	AS 624 75	B-2009	AS 1100 3/4	---	AS 1200 8 5/8
B-11-A	AS 100 BTB	B-158	AS 624 671/2	B-200-D	AS 2504 1/4	B-2070	AS 3138 3/8
B-11-B	AS 100 STS	B-159	AS 624 60	B-201	AS 619 3/8	B-2071	AS 3138 1/2
B-11-H-1 7/8	AS 100 H	B-160	AS 624 521/2	B-2010	AS 1101 1	B-2072	AS 3138 3/4
B-11-KO6	AS 100 KO	B-161	AS 624 371/2	B-2011	AS 1100 1 1/4	B-2073	AS 3138 1
B-11-S	AS 100 S	B-162	AS 633 30	B-2012	AS 1100 1 1/2	B-2074	AS 3138 1 1/4
B-11-SH	AS 100 EH	B-163	AS 633 22 1/2	B-2013	AS 1100 2	B-2075	AS 3138 1 1/2
B-12	AS 150	B-164	AS 633 15	B-2014	AS 1100 2 1/2	B-2076	AS 3138 2
B-12 AL	AS 150 ALM	B-165	AS 633 7 1/2	B-2015	AS 1100 3	B-2077	AS 3138 2 1/2
B-120	AS 666	B-166-46-11	---	B-2016	AS 1100 3 1/2	B-2078	AS 3138 3
B-121	AS 667	B-166-46-22	---	B-2017	AS 1100 4	B-2079	AS 3138 3 1/2
B-122	AS 668	B-166-46-32	---	B-2018	AS 1200 5	B-2080	AS 3138 4
B-123	AS 669	B-166-46-42	---	B-2019	AS 1100 5	B-2084	AS 1450 1/4
B-124	---	B-166-46-52	---	B-201-D	AS 2504 3/8	B-2085	---
B-125	---	B-166-CL	---	B-202	AS 619 1/2	B-2086	AS 1450 3/8
B-126	AS 614	B-167	AS 646	B-2020	AS 1100 6	B-2087	AS 1450 1/2
B-127	AS 615	B-168	AS 645	B-2021	AS 1200 7 5/8	B-2088	AS 1450 5/8
B-129	AS 601	B-169	AS 644	B-202-1	AS 619 5/8	B-2089	AS 1450 3/4
B-12-A	AS 150 BTB	B-170	AS 631	B-202-1D	---	B-2090	AS 1450 7/8
B-12-B	AS 150 STS	B-171	AS 629	B-2022	AS 1100 8	B-2091	AS 1450 1
B-12-H-1 7/8	AS 150 H	B-172	AS 616	B-202-2	AS 619 3/4	B-210	---
B-12-KO6	AS 150 KO	B-172-12	---	B-202-2D	---	B-210-A	---
B12-KO6-AL	AS 150 ALM	B-172-22-A	---	B-2023	AS 1200 1/4	B-211	AS 685
B-12-S	AS 150 S	B-173	---	B-2024	AS 1200 3/8	B-2110	AS 1200 6 1/8
B-12-SH	AS 150 EH	B-174-SH-L	AS 838 24 L	B-2025	AS 1200 1/2	B-2111	AS 1200 6 1/4
B12-SH-AL	AS 150 EH ALM	B-174-SH-R	AS 838 24 R	B-2026	AS 1200 5/8	B-2112	AS 1200 6 3/8
B-132	AS 712	B-175-SH-L	AS 838 26 L	B-2027	AS 1200 3/4	B-2113	AS 1200 6 1/2
B-133	AS 714	B-175-SH-R	AS 838 26 R	B-2028	AS 1200 7/8	B-2115	AS 1200 6 3/4
B-134-L	---	B-176-SH-L	AS 838 28 L	B-2029	AS 1200 1	B-2116	AS 1200 6 7/8
B-134-R	---	B-178-SH-L	AS 838 12 L	B-202-D	AS 2504 1/2	B-2117	AS 1200 7
B-135	AS 744	B-178-SH-R	AS 838 12 R	B-203	AS 901	B-2118	AS 1200 7 1/8
B-136	AS 747	B-179-SH-L	AS 838 14 L	B-2030	AS 1200 1 1/8	B-2119	AS 1200 7 1/4

* Comparable with some deviation in dimension or configuration.

B-LINE

Anvil-Strut™ Cross Reference Guide

B-Line Number	Anvil-Strut Number	B-Line Number	Anvil-Strut Number	B-Line Number	Anvil-Strut Number	B-Line Number	Anvil-Strut Number
B-2120	AS 1200 7 3/8	B-2301-11/2	---	B-24-SH-SS6	AS 210 EH SS	B-297-30	AS 809-30
B-2121	AS 1200 7 1/2	B-2301-11/4	---	B-24-SS4	AS 210 SS	B-297-36	AS 809-36
B-212-1/4	AS 907	B-2301-2	---	B-24-SS6	AS 210 SS	B-303	AS 858 1/4
B-2123	AS 1200 7 3/4	B-2301-3/4	---	B-250	AS 781 60	B-3033-1/2	FIG. 92
B-212-3/8	AS 998	B-2302-1	---	B-2500	AS 285	B-3033-3/4	FIG. 94
B-2124	AS 1200 7 7/8	B-2302-1/2	---	B-2505	---	B-3033-3/8	FIG. 92
B-2125	AS 1200 8	B-2302-1/4	---	B-2506	AS 349 5	B-3033-5/8	FIG. 94
B-2126	AS 1200 8 1/8	B-2302-11/2	---	B-2507	AS 449 5	B-3034-1/2	FIG. 94
B-213	---	B-2302-11/4	---	B-2508	---	B-3034-3/8	FIG. 93
B-214-L	AS 825 L	B-2302-2	---	B-251	AS 781 67 1/2	B-3036-1/2	FIG. 86
B-214-R	AS 825 R	B-2302-21/2	---	B-252	AS 781 75	B-3036-3/4	FIG. 86
B-215-S-Series	---	B-2302-3	---	B-253	AS 781 82 1/2	B-3036-3/8	FIG. 86
B-216-S-Series	---	B-2302-3/4	---	B26	---	B-3036-5/8	FIG. 86
B-217-20	AS 707	B-2302-3/8	---	B-261-12	AS 926 12	B-3036L-1/2	FIG. 86
B-217-20SS4	---	B-2302-31/2	---	B-261-16	AS 926 16	B-3036L-3/4	FIG. 86
B-217-24	---	B-2302-4	---	B-261-18	AS 926 18	B-3036L-3/8	FIG. 86
B-217-AL	---	B-2308	---	B-266	AS 721	B-3036L-5/8	FIG. 86
B-217-FFAL	---	B-2309	---	B-267-L	AS 922 L	B-304	AS 858 5/16
B-217-P	---	B-231	AS 806	B-267-R	AS 922 R	B-306	AS 858 3/8
B-218	AS 1901	B-2310	---	B-268-L	---	B-307	AS 858
B-219	AS 1902 1*	B-2311	---	B-268-R	---	B-308	AS 858 1/2
B-219-1	AS 1902 2 1/2	B-2312	---	B-269-L	AS 2128 L	B-309	AS 858 5/8
B-219-2	AS 1902 4*	B-2313	---	B-269-R	AS 2128 R	B-312-12	AS 871
B-219-3	AS 1902 8*	B-2314	---	B-26-A	---	B-312-15	AS 871
B-219-4	AS 1911	B-2315	---	B-26-B	---	B-312-6	AS 871
B-219-5	AS 1911	B-232	AS 745	B-26-C	---	B-312-9	AS 871 12
B-22	AS 200	B-2350	---	B-26H-1 7/8	---	B-314	AS 855
B-22 A AL	---	B-2351	---	B-26-K06	---	B-3174-1	FIG. 69
B-22 H 17/8 SS4	AS 200H SS	B-2352	---	B-26-S	---	B-3174-1/2	FIG. 69
B-22 K06 AL	---	B-2353	---	B-26-SH	---	B-3174-11/2	FIG. 69
B-22 LPL	AS 200	B-2354	---	B-270-L	---	B-3174-11/4	FIG. 69
B-22 PL	AS 200	B-2355	---	B-270-R	---	B-3174-2	FIG. 69
B-22 SH AL	AS 200 EH ALM	B-235-L	AS 720 L	B-271	AS 923	B-3174-21/2	FIG. 69
B-220	AS 930	B-235-R	AS 720 R	B-272	AS 821	B-3174-3	FIG. 69
B-2207	---	B-236-L	AS 720 L	B-273	AS 913	B-3174-3/4	FIG. 69
B-2208	AS 1300 1/2	B-236-R	AS 720 R	B-274-L	---	B-3174-31/2	FIG. 69
B-2209	AS 1300 3/4	B-237	AS 715*	B-274-R	---	B-3174-4	FIG. 69
B-221	AS 2580	B-238-L	---	B-276	---	B-318	AS 687
B-22-1	AS 349 Series	B-238-R	---	B-277	AS 669*	B-319	AS 687
B-2210	AS 1300 1	B-239	---	B-278	AS 3040	B-32	AS 300
B-2211	AS 1300 11/4	B-24	AS 210	B-279	AS 3013	B-32 I-Series	AS 449 Series
B-2212	AS 1300 11/2	B-2400-1	AS 3126 1*	B-279-FL	AS 3013 FL	B-320	AS 687
B-2213	AS 1300 2	B-2400-1/2	AS 3126 1/2*	B-279-SQ	AS 3013 SQ	B-321-1	AS 865 3/8
B-22-1 7/8	AS 200 H	B-2400-11/2	AS 3126 1 1/2*	B-280	AS 3033	B-321-2	AS 865 1/2
B-222	AS 902	B-2400-11/4	AS 3126 1 1/4*	B-280-FL*	AS 3025 FL	B-321-3	---
B-223	---	B-2400-2	AS 3126 2*	B-280-SQ	AS 3033 SQ	B-321-4	AS 865 5/8
B-22-6KO	AS 200 KO	B-2400-21/2	AS 3126 2 1/2*	B-281	AS 3064	B-321-5	---
B-22-A	AS 200 BTB	B-2400-3	AS 3126 3*	B-281-A	AS 3029	B-32-17/8H	AS 300 H
B-22-A3	AS 200 BTB 3	B-2400-3/4	AS 3126 3/4*	B-281-AFL	AS 3029 FL	B-322	AS 633 7 1/2
B-22-A4	AS 200 BTB 4	B-2400-31/2	AS 3126 3 1/2*	B-281-FL	AS 3064 FL	B-323	AS 633 15
B-22-AD3	AS 200 BTBS	B-2400-4	AS 3126 4*	B-281-M	---	B-324	AS 633 22 1/2
B-22AL	AS 200 ALM	B-2400-5	AS 3126 5*	B-281-MSQ	---	B-325	AS 633 30
B-22-B	AS 200 STS	B-2400-6	AS 3126 6*	B-281-SQ	AS 3064 SQ	B-326	AS 633 37 1/2
B-22B3	AS 200 BTS 3	B-2400-8	---	B-287	---	B-32-6KO	AS 300 KO
B-22-C	AS 200 STSR	B-24-17/8H	AS 210 H	B-288	---	B-327	AS 633 45
B-22-C3	AS 200 STS 3	B-241-S-Series	---	B-289-12	AS 732-12	B-328	AS 633 52 1/2
B-22-D	AS 200 BTS	B-243	AS 781 7 1/2	B-289-14	AS 732-14	B-329	AS 633 60
B-22-D3	AS 200 BTBS 3	B-244	AS 781 15	B-290	AS 732-16	B-32-A	AS 300 BTB
B-22-E	AS 200 FTS	B-245	AS 781 22 1/2	B-291	AS 732-18	B-32-B	AS 300 STS
B-22-E3	AS 200 BTBF	B-246	AS 781 30	B-292	AS 732-20	B-32-C	AS 300 STSR
B-22H17/8AL	AS 200 H ALM	B-247	AS 781 37 1/2	B-293-12	---	B-32-S	AS 300 S
B22-IFS	AS 6151	B-248	AS 781 45	B-293-18	---	B-32-SH	AS 300 EH
B-22-S	AS 200 S	B-249	AS 781 52 1/2	B-293-24	---	B-330	AS 633 67 1/2
B-22-SH	AS 200 EH	B-24-A	AS 210 BTB	B-293-6	---	B-331	AS 633 75
B-22SHSS4	AS 200 EH SS	B-24-B	AS 210 STS	B-293A-12	---	B-332	AS 633 82 1/2
B-22SS4	AS 200 SS	B-24-C	AS 210 STSR	B-293A-18	---	B-3322	---
B-22SS6	AS 200 SS	B-24-H-17/8-SS4	AS 210 H SS	B-293A-24	---	B-333-1	AS 687 A
B-22TH	AS 200 H3	B-24-H17/8-SS6	AS 210 H SS	B-293A-6	---	B-3332	AS 653
B-22X	---	B-24-KO6	AS 210 KO	B-293-PL	---	B-333-2	AS 687 B
B-230	AS 603	B-24-S	AS 210 S	B-297-12	AS 809-12	B-333-3	AS 687 C
B-2301-1	---	B-24-SH	AS 210 EH	B-297-18	AS 809-18	B-334	AS 2112
B-2301-1/2	---	B-24-SH-SS4	AS 210 EH SS	B-297-24	AS 809-24	B-3342	AS 654

* Comparable with some deviation in dimension or configuration.

B-LINE
ERISTRUT
GLOBE
HAYDON
KINDORF
PHD
POWER-STRUT
SUPERSTRUT
TOLSTRUT
UNISTRUT

Anvil-Strut™ Cross Reference Guide

B-LINE

B-Line Number	Anvil-Strut Number	B-Line Number	Anvil-Strut Number	B-Line Number	Anvil-Strut Number	B-Line Number	Anvil-Strut Number
B-335	AS 9404	B-3690F-8	FIG. 67	B-4062	---	B-425	AS 733
B-335-1	AS 9402	B-370	AS 3164	B-4063	---	B-427	AS 684
B-3352	---	B-371	AS 2520	B-4064	---	B-428	---
B-335-2	AS 9403	B-371-2	AS 3049	B-4065	---	B-42-A	AS 400 BTB
B-3362	---	B-372	AS 2545	B-4066	---	B-42-B	AS 400 STS
B-3363	---	B-374	---	B-4067	---	B-42-H-17/8	AS 400 H
B-3364	---	B-376	AS 2522	B-4068	---	B-42-H-17/8-SS4	AS 400 H SS
B-3365	---	B-377	AS 2521	B-4069	---	B-42-KO6	AS 400 KO
B-337	AS 925	B-379	AS 815	B-4070	---	B-42-S	AS 400 S
B-3373-1/2	---	B-380-22	---	B-4071	---	B-42-SH	AS 400 EH
B-339	---	B-380-32	---	B-4072	---	B-42-SH-SS4	AS 400 EH SS
B-340	AS 620	B-380-42	---	B-4073	---	B-42-SS4	AS 400 SS
B-341	AS 888	B-380-52	---	B-4074	---	B-432	---
B-342	AS 889	B-381	AS 2404	B-407-4R	AS 3060 4	B-435	---
B-346-L	---	B-382	AS 2405	B-4075	---	B-436	---
B-346-R	---	B-383	AS 2406	B-407-5R	AS 3060 5	B-436-S	---
B-349	AS 2528	B-384	AS 2407	B-4076	---	B-437-1	---
B-350	AS 2528 1	B-385	AS 2408	B-407-6	AS 3060 6	B-437-1/2	---
B-351-1/2	FIG. 95	B-386-Series	---	B-4077	---	B-437-11/2	---
B-351-3/4	FIG. 95	B-387	---	B-407-7	AS 3060 7	B-437-11/4	---
B-351-3/8	FIG. 95	B-387-1	---	B-4078	---	B-437-2	---
B-351-5/8	FIG. 95	B-387-2	---	B-407-8	AS 3060 8	B-437-21/2	---
B-351-7/8	FIG. 95	B-390-BX	---	B-4079	---	B-437-3	---
B-351L-1/2	FIG. 95	B-390-S	---	B-4080	---	B-437-3/4	---
B-351L-3/4	FIG. 95	B-392-11 Series	AS 2511-1(19)	B-4081	---	B-437-31/2	---
B-351L-3/8	FIG. 95	B-392-12 Series	AS 2581(19)	B-408-1	---	B-437-4	---
B-351L-5/8	FIG. 95	B-392-22 Series	AS 2511-2(19)	B-4082	---	B-437-5	---
B-355	AS 686*	B-392-32 Series	AS 2511-3(19)	B-408-2	---	B-437-6	---
B-356	---	B-393	---	B-4083	---	B-437-8	---
B-357	AS 715*	B-394-Series	---	B-408-3	---	B-438	---
B-358	AS 993	B-398	AS 677*	B-4084	---	B-439	---
B-358-4	AS 993 4	B-398-1	AS 677	B-4085	---	B-440	---
B-358-5	AS 993 5	B-400	---	B-4086	---	B-441-22	AS 2651 T1
B-358-6	AS 993 6	B-4000	---	B-4087	---	B-441-22-A	AS 2651 T2
B-358-7	AS 993 7	B-4001	---	B-4088	---	B-442	AS 135 X 1/4
B-358-8	AS 993 8	B-400-1	---	B-4089	---	B-444-1/2	AS 85 1/2
B-359	AS 2144 3	B-4002	---	B-409	AS 651	B-444-1/4	AS 85 1/4
B-360	AS 2144 31/2	B-400-2	---	B-4090	---	B-444-3/8	AS 85 3/8
B-361	AS 2144 4	B-4003	---	B-4091	---	B-444-5/16	---
B-362	---	B-400-3	---	B-409-12	AS 651-12*	B-446-1/2	AS 203 1/2
B-363	AS 793 82 1/2	B-4004	---	B-409-14	AS 651-18	B-446-3/8	AS 203 3/8
B-364	AS 793 75	B-400-4	---	B-4092	---	B-446A-1/2	---
B-365	AS 793 67 1/2	B-4005	---	B-4093	---	B-446A-3/8	---
B-366	AS 793 60	B-4006	---	B-4094	---	B-446B-1/2	---
B-367	AS 793 52 1/2	B-4007	---	B-4095	---	B-446B-3/8	---
B-368	AS 793 45	B-4008	---	B-409-6	AS 651-6	B-446C-1/2	---
B-369	AS 793 37 1/2	B-4009	---	B-409-9	AS 651-12	B-446C-3/8	---
B-3690-1	FIG. 67	B-4010	---	B-410-11	---	B-447	AS 2560
B-3690-1/2	FIG. 67	B-4011	---	B-410-12	---	B-447A	AS 2561
B-3690-11/2	FIG. 67	B-4012	---	B-410-22	---	B-449-12	---
B-3690-11/4	FIG. 67	B-4013	---	B-410-32	---	B-449-18	---
B-3690-2	FIG. 67	B-4014	---	B-410-52	---	B-449-4	---
B-3690-21/2	FIG. 67	B-4033-A	---	B-411-12	AS 2401	B-449-8	---
B-3690-3	FIG. 67	B-4033-B	---	B-411-15	AS 2402	B-450-1/2	---
B-3690-3/4	FIG. 67	B-4033-C	---	B-411-18	AS 2403	B-450-1/4	---
B-3690-31/2	FIG. 67	B-4033-D	---	B-412	AS 2119	B-450-3/4	---
B-3690-4	FIG. 67	B-4033-E	---	B-415	---	B-450-3/8	---
B-3690-5	FIG. 67	B-4033-F	---	B-42	AS 400	B-450-5/8	---
B-3690-6	FIG. 67	B-4033-G	---	B-420-378	AS 921 A	B-451-1	---
B-3690-8	FIG. 67	B-4035-A	---	B-420-578	AS 921 B	B-451-2	---
B-3690F-1	FIG. 67	B-4035-B	---	B-420-778	AS 921 C	B-451-3	---
B-3690F-1/2	FIG. 67	B-4035-C	---	B-420-978	AS 921 D	B-460-11	---
B-3690F-11/2	FIG. 67	B-4035-D	---	B-422-1/2	AS 51 1/2	B-460-12	---
B-3690F-11/4	FIG. 67	B-4035-E	---	B-422-1/2	AS 51 1	B-460-22	---
B-3690F-2	FIG. 67	B-4035-F	---	B-422-11/2	AS 51 11/2	B-461	---
B-3690F-21/2	FIG. 67	B-4037-B	---	B-422-11/4	AS 51 11/4	B-464-11	---
B-3690F-3	FIG. 67	B-405	---	B-422-2	AS 51 2	B-464-12	---
B-3690F-3/4	FIG. 67	B-4050	---	B-422-21/2	AS 51 21/2	B-464-22	---
B-3690F-31/2	FIG. 67	B-4051	---	B-422-3/4	AS 51 3/4	B-464-32	---
B-3690F-4	FIG. 67	B-405-A	---	B-422-3/4	AS 51 3	B-465	---
B-3690F-5	FIG. 67	B-4060	---	B-422-31/2	AS 51 31/2	B-466S	---
B-3690F-6	FIG. 67	B-4061	---	B-422-4	AS 51 4	B-466W	---

* Comparable with some deviation in dimension or configuration.

B-LINE

Anvil-Strut™ Cross Reference Guide

B-Line Number	Anvil-Strut Number	B-Line Number	Anvil-Strut Number	B-Line Number	Anvil-Strut Number	B-Line Number	Anvil-Strut Number
B-472	---	B-54-17/8H	AS 500 H	B-6118	---	B-631-48	---
B-473	---	B-54-6KO	AS 500 KO	B-6126	---	B-631-54	---
B-474	---	B-54-A	AS 500 BTB	B-6127	---	B-631-60	---
B-475	---	B-54-AL	AS 500 ALM	B-6129	---	B-632-18	---
B-477	AS 2524	B-54-A4	AS 500 BTB 4	B-613	---	B-632-24	---
B-477-H	---	B-54-H17/8-AL	AS 500 H ALM	B-6132	---	B-632-30	---
B-478	AS 2525	B-54-H17/8-SS4	AS 500 H SS	B-6133	---	B-632-36	---
B-479	AS 816	B-54-H17/8-SS6	AS 500 H SS	B-6134L	---	B-632-42	---
B-485	---	B-54-S	AS 500 S	B-6134R	---	B-632-48	---
B-488	---	B-54-SH	AS 500 EH	B-6135	---	B-632-54	---
B-494-12	---	B-54-SH-AL	AS 500 EH ALM	B-6136	---	B-632-60	---
B-494-18	---	B-54-SH-SS4	AS 500 EH SS	B-6138	---	B-632-72	---
B-494-24	---	B-54-SH-SS6	AS 500 EH SS	B-6139	---	B-632-84	---
B-494-30	---	B-54-SS4	AS 500 SS	B-613-A	AS 2654 A	B-632-96	---
B-494-36	---	B-54-SS6	AS 500 SS	B-6140	---	B-633-1/2	---
B-494-42	---	B-556	AS 2190	B-6141	---	B-633-3/4	---
B-494-48	---	B-557	AS 602*	B-6142	---	B-633-5/8	---
B-495	---	B-558	---	B-6143	---	B-6337	---
B-496	AS 764	B-56	AS 560	B-6144-L	---	B-633-7/8	---
B-496-1	---	B-56 A	AS 560 BTB	B-6144-R	---	B-634	AS 9400
B-500-33/8	---	B-56 S	AS 560 S	B-6147	---	B-6340	---
B-500-5	---	B-560	AS 2421	B-6148	---	B-6341	---
B-501-6	FIG. 137	B-562	AS 2422	B-6149	---	B-635	---
B-501-1	FIG. 137	B-568	---	B-6150	---	B-6357	---
B-501-11/2	FIG. 137	B-56-A3	AS 560 BTB 3	B-6151	---	B-6374	---
B-501-11/2	FIG. 137	B-56-A4	AS 560 BTB 4	B-6152	---	B-6409-6	---
B-501-11/4	FIG. 137	B-56-H-17/8	AS 560 H	B-6154	---	B-6409-9	---
B-501-2	FIG. 137	B-56-K06	AS 560 KO	B-6155	---	B-6504	---
B-501-21/4	FIG. 137	B-56SH	AS 560 EH	B-6156	---	B-6526	---
B-501-3	FIG. 137	B-570	---	B-6157	---	B-6532	---
B-501-3/4	FIG. 137	B-570-A	---	B-6158	---	B-6533	---
B-501-31/2*	FIG. 137	B-571	---	B-6159	---	B-655-1/2	FIG. 135
B-501-4	FIG. 137	B-578	---	B-616	---	B-655-1/2	FIG. 135
B-501-5	FIG. 137	B-580	---	B-6160	---	B-655-1/4	FIG. 135
B-501-8	FIG. 137	B-581	---	B-6161	---	B-655-3/4	FIG. 135
B-503-L	---	B-585	---	B-6162	---	B-655-3/8	FIG. 135
B-503-R	---	B-586	---	B-616-22A-7/8	---	B-655-5/8	FIG. 135
B-504	---	B-587-1/2	---	B-616-22A-9/16	---	B-655-7/8	FIG. 135
B-514-L	---	B-587-1/2	---	B-6163	---	B-656-1/2X3/8	FIG 135R
B-514-R	---	B-587-3/4	---	B-6164	---	B-656-3/4X5/8	FIG 135R
B-515	---	B-588	AS 678	B-616-46-12	---	B-656-3/8X1/4	FIG 135R
B-516	---	B-589	AS 2626	B-6165	---	B-656-5/8X1/2	FIG 135R
B-516-S	---	B-589-62	---	B-6167	---	B-656-7/8X3/4	FIG 135R
B-518-1	---	B-590	---	B-6168	---	B-6571	---
B-518-2	---	B591-2	---	B-6169	---	B-6594	---
B-518-3	---	B591-21/2	---	B-616-A	---	B-663	---
B-518-4	---	B591-3	---	B-616S-22A-7/8	---	B-664	---
B-519	AS 735	B591-31/2	---	B-616S-22A-9/16	---	B-670-1/2	---
B-52	AS 520	B591-4	---	B-616S-7/8	---	B-670-1/2	---
B-521	---	B591-5	---	B-616S-9/16	AS 2631 9/16	B-670-11/2	---
B-522	---	B591-6	---	B-616-TG	---	B-670-11/4	---
B-526	AS 609	B591-8	---	B-617	---	B-670-2	---
B-527	---	B-593	---	B-6170	---	B-670-21/2	---
B-528	---	B-594	---	B-6171	---	B-670-3	---
B-529	---	B595	---	B-6172	---	B-670-3/4	---
B-52-A	AS 520 BTB	B596	---	B-6173	---	B-670-3/8	---
B-52-A4	AS 520 BTB 4	B598-62	---	B-619	---	B-670-31/2	---
B-52-H-17/8	AS 520 H	B-600-62	---	B-62	---	B-670-4	---
B-52-KO6	AS 520 KO	B-601-62	---	B-62 A	---	B-671-1	---
B-52-S	AS 520 S	B-602 A	---	B-6202	---	B-671-1/2	---
B52-SH	AS 520 EH	B-602 B	---	B-6205	---	B-671-11/2	---
B-532	AS 854	B-602 C	---	B-6211	---	B-671-11/4	---
B-533	AS 927	B-6101	---	B-6230	---	B-671-2	---
B-534	---	B-6102	---	B-6232	---	B-671-21/2	---
B-535	---	B-6103	---	B-6234-L	---	B-671-3	---
B-536	---	B-6104	---	B-6234-R	---	B-671-3/4	---
B-538	---	B-6105	---	B-6239	---	B-700-J12	---
B-539	---	B-6107	---	B-631-18	---	B-700-J4	---
B-54	AS 500	B-6107-62A	---	B-631-24	---	B-700-J6	---
B-54-A AL	---	B-6108	---	B-631-30	---	B-700-J9	---
B-54-K06-AL	---	B-6110	---	B-631-36	---	B-701-J123/8	---
B-541	AS 732-10	B-6112	---	B-631-42	---	B-701-J43/8	---

* Comparable with some deviation in dimension or configuration.

B-LINE
ERISTRUT
GLOBE
HAYDON
KINDORF
PHD
POWER-STRUT
SUPERSTRUT
TOLSTRUT
UNISTRUT

Anvil-Strut™ Cross Reference Guide

B-LINE

B-Line Number	Anvil-Strut Number	B-Line Number	Anvil-Strut Number	B-Line Number	Anvil-Strut Number	B-Line Number	Anvil-Strut Number
B-701-J63/8	---	BVP250	AS 046 ODP	N-2500 7/8	FIG. 286	SN728 Series	---
B-701-J93/8	---	BVP300	AS 056 ODP	N-255	AS RS 5/8	SON Series	---
B-702	---	BVP350	AS 064 ODP	N-255-WO	AS NS 1/2	SRHMS	---
B-705-J103/8	---	BVP400	AS 072 ODP	N-275	AS RS 3/4	STN224 Series	---
B-705-J123/8	---	BVP500	AS 089 ODP	N-275-WO	AS NS 3/4	STN225 Series	---
B-705-J43/8	---	BVP600	AS 106 P	N-278	AS RS 7/8	STN228 Series	---
B-705-J63/8	---	BVT-025	AS 004 OD	N-278-WO	AS NS 7/8	STN525 Series	---
B-7105	---	BVT-037	AS 006 ODN	N-521	AS SS 8-32	TN-221	AS TG
B-7116	---	BVT-050	AS 008 ODN	N-522	AS SS 10-24	TN-222	AS TG
B-718-1	---	BVT-062	AS 010 ODN	N-523	AS SS 5/16	TN-223	AS TG 5/16
B-718-2	---	BVT-075	AS 012 ODN	N-524	AS SS 1/4	TN-224	AS TG 1/4
B-718-3	---	BVT-087	AS 014 ODN	N-525	AS SS 1/2	TN-225	AS TG 1/2
B-718-4	---	BVT-100	AS 016 ODN	N-525-WO	AS NS 1/2	TN-226	AS TG
B-719	---	BVT-112	AS 018 ODN	N-526	---	TN-227	AS TG
B-72	---	BVT-125	AS 020 OD	N-527	AS SS 10-32	TN-228	AS TG 3/8
B-7205	---	BVT-137	AS 022 ODN	N-528	AS SS 3/8	TN-525	---
B-72-A	---	BVT-150	AS 024 OD	N-555	AS SS 5/8	WA-Series	---
B-750-J12	---	BVT-162	AS 026 ODN	N-555-WO	AS NS 5/8	---	AS 23025
B-750-J4	AS 2626 6	BVT-175	AS 028 OD	N-575	AS SS 3/4	---	AS 23037
B-750-J6	AS 2626 9	BVT-187	AS 030 ODP	N-575-WO	AS NS 3/4	---	AS 23050
B-750-J9	AS 2626 12	BVT-200	AS 032 OD	N-621	---	---	AS 23062
B-751	AS 2622	BVT-212	AS 034 OD	N-621-WO	---	---	AS 23075
B-751-J12	---	BVT-225	AS 038 ODP	N-622	---	---	AS 23087
B-751-J4	AS 2622 J6(14)	BVT-250	AS 040 OD	N-622-WO	---	---	AS 23100
B-751-J6	AS 2622 J6(14)	BVT-262	AS 042 OD	N-624	---	---	AS 23112
B-751-J9	AS 2622 J10(15)	BVT-300	AS 048 OD	N-624-WO	---	---	AS 23137
B-752	AS 2623	BVT-312	AS 050 OD	N-627	---	---	AS 23162
B-755-3/8	---	BVT-362	AS 058 OD	N-627-WO	---	---	AS 23212
B-755-3/8-J10	---	BVT-412	AS 066 OD	N-721	---	---	AS 24037
B-755-3/8-J12	---	BVT-612	AS 098 OD	N-722	---	---	AS 24050
B-755-3/8-J4	---	C-NP-SS	---	N-7221	---	---	AS 24062
B-755-3/8-J6	---	E-7016	---	N-7222	---	---	AS 24075
B-7563/8	---	E-7016-3/4	---	N-7224	---	---	AS 24087
B-760-22A-J12	---	E-7166	---	N-7227	---	---	AS 24100
B-760-22A-J12	---	E-7212	---	N-723	---	---	AS 24112
B-760-22A-J6	AS 2656 T2 6-12*	E-7355	---	N-724	AS LS 1/4(17)	---	AS 24137
B-760-22A-J9	AS 2656 T2 6-12*	F-12	---	N-725	AS LS 1/2(17)	---	AS 24162
B-760-22-J12	---	F-14	---	N-726	---	---	AS 24212
B-760-22-J4	AS 2656 T1 21/2-6"	F-34	---	N-727	---	---	AS 24262
B-760-22-J6	AS 2656 T1 6-12*	F-38	---	N-728	AS LS 3/8(17)	---	AS 24312
B-760-22-J9	AS 2656 T1 6-12*	F-58	---	N-755	AS LS 5/8(17)	---	AS 24362
B-761-22-12	---	FFW	AS 230 Series	N-775	AS LS 3/4	---	AS 24412
B-761-22-4	AS 2657 T1 21/2-6"	FW	AS 209 Series	N-778	---	---	AS 26025
B-761-22-6	AS 2657 T1 6-12*	HHCS	AS 6024 Series	S-12	---	---	AS 26037
B-761-22-9	AS 2657 T1 6-12*	HN	AS 83 Series	S-14	---	---	AS 26050
B-761-22A-12	---	LA-Series	---	S-34	---	---	AS 26062
B-761-22A-4	AS 2657 21/-2-6"	LW	AS 211 Series	S-38	---	---	AS 26075
B-761-22A-6	AS 2657 T2 6-12*	MSQN	AS 6108 Series	S-58	---	---	AS 26087
B-761-22A-9	AS 2657 T1 6-12*	N-221	AS RS 8-32	S-78	---	---	AS 26112
B-822	AS 6153 2	N-221-WO	---	SA-101	---	---	AS 26137
B-844	AS 3373*	N-222	AS RS 10-24	SA-102	---	---	AS 26162
B-844W	---	N-222-WO	AS NS 10-24	SA-110	---	---	AS 26212
B-96-HP	---	N-223	AS RS 5/16	SA-154	---	---	AS 26262
B-AL	---	N-223-WO	AS NS 5/16	SA-155	---	---	AS 26312
B-H17/8-AL	---	N-223-WO	AS NS 5/16	SA-158	---	---	AS 26362
B-K06-AL	---	N-224	AS RS 1/4	SA-276	---	---	AS 26412
BN-116-52	AS 929	N-224-WO	AS NS 1/4	SA-318	---	---	AS 28062
B-SH-AL	---	N-225	AS RS 1/2	SC228	AS 3500	---	AS 28087
BSN224-WO	---	N-225-WO	AS NS 1/2	SFHMS	---	---	AS 28112
BSN224-WO	---	N-226	---	SHHMS	AS 6075	---	AS 28137
BSN225-WO	---	N-226-WO	---	SN224 Series	AS 517 1/4(18)	---	AS 28162
BSN225-WO	---	N-227	AS RS 10-32	SN224-W/O Series	AS NS	---	AS 28212
BSN228-WO	---	N-227-WO	AS NS 10-32	SN225 Series	AS 517 1/2(18)	---	AS 28262
BSN228-WO	---	N-228	AS RS 3/8	SN225-W/O Series	AS NS	---	AS 28312
BVP025	AS 009 P	N-228-WO	AS NS 3/8	SN228 Series	AS 517 3/8(18)	---	AS 28362
BVP037	AS 011 P	N-2500	FIG. 285	SN228-W/O Series	AS NS	---	---
BVP050	AS 014 P	N-2500 1/2	FIG. 285	SN524-Series	---	---	---
BVP075	AS 017 P	N-2500 1/4	FIG. 285	SN525-Series	---	---	---
BVP100	AS 021 P	N-2500 3/4	FIG. 286	SN525-W/O Series	---	---	---
BVP125	AS 027 P	N-2500 3/8	FIG. 286	SN528 Series	---	---	---
BVP150	AS 030 ODP	N-2500 5/16	FIG. 285	SN724 Series	---	---	---
BVP200	AS 038 ODP	N-2500 5/8	FIG. 285	SN725 Series	---	---	---

* Comparable with some deviation in dimension or configuration.

Eristrut Number	Anvil-Strut Number	Eristrut Number	Anvil-Strut Number	Eristrut Number	Anvil-Strut Number	Eristrut Number	Anvil-Strut Number
A-12	AS 200	NUTC1/2	---	OD1 1/2	AS 1200	EMTC1/2	AS 1000
A-12A	AS 200 BTB	NUTC5/8	---	OD1 5/8	AS 1200	EMTC3/4	AS 1000
A-12HS	AS 200 EH	NUTC3/4	---	OD1 3/4	AS 1200	EMTC1	AS 1000
A-12KO	AS 200 KO	NUTC7/8	---	OD1 7/8	AS 1200	EMTC11/4	AS 1000
A-12P	AS 200 H	TSNT1/4	AS TG	OD2	AS 1200	EMTC11/2	AS 1000
A-12SL	AS 200 S	TSNT3/8	AS TG	OD2 1/8	AS 1200	EMTC2	AS 1000
A-14	AS 210	TSNT1/2	AS TG	OD2 1/4	AS 1200	SK85I	---
A-14A	AS 210 BTB	TSNC1/2	AS TG	OD2 3/8	AS 1200	SK125I	---
A-14HS	AS 210 EH	SPRD#8	AS LS	OD2 1/2	AS 1200	SK165I	---
A-14KO	AS 210 KO	SPRD#10	AS LS	OD2 5/8	AS 1200	SK205I	---
A-14P	AS 210 H	SPRD1/4	AS LS	OD2 3/4	AS 1200	SK245I	---
A-14SL	AS 210 S	SPRD5/16	AS LS	OD2 7/8	AS 1200	SK325I	---
A-16	---	SPRD3/8	AS LS	OD3	AS 1200	SK405I	---
A-16A	---	SPRD7/16	AS LS	OD3 1/8	AS 1200	SK485I	---
A-16HS	---	SPRD1/2	AS LS	OD3 1/4	AS 1200	SK565I	---
A-16KO	---	SPRD5/8	AS LS	OD3 3/8	AS 1200	SK645I	---
A-16P	---	SPRD3/4	AS LS	OD3 1/2	AS 1200	SK8ALA	---
A-16SL	---	SPRA#8	AS RS	OD3 5/8	AS 1200	SK12ALA	---
B-12	AS 300	SPRA#10	AS RS	OD3 3/4	AS 1200	SK16ALA	---
B-12B	AS 300 BTB	SPRA1/4	AS RS	OD3 7/8	AS 1200	SK20ALA	---
B-12HS	AS 300 EH	SPRA5/16	AS RS	OD4	AS 1200	SK24ALA	---
B-12KO	AS 300 KO	SPRA3/8	AS RS	OD4 1/8	AS 1200	SK32ALA	---
B-12P	AS 300 H	SPRA7/16	AS RS	OD4 1/4	AS 1200	SK40ALA	---
B-12SL	AS 300 S	SPRA1/2	AS RS	OD4 3/8	AS 1200	SK48ALA	---
C-12	AS 520	SPRA5/8	AS RS	OD4 1/2	AS 1200	SK56ALA	---
C-12C	AS 520 BTB	SPRA3/4	AS RS	OD4 5/8	AS 1200	SK64ALA	---
C-12HS	AS 520 EH	SPRA7/8	AS RS	OD4 3/4	AS 1200	SK8SS	---
C-12KO	AS 520 KO	SPRC#8	AS SS	OD4 7/8	AS 1200	SK12SS	---
C-12P	AS 520 H	SPRC#10	AS SS	OD5	AS 1200	SK16SS	---
C-12SL	AS 520 S	SPRC1/4	AS SS	OD5 1/8	AS 1200	SK20SS	---
C-14	AS 500	SPRC5/16	AS SS	OD5 1/4	AS 1200	SK24SS	---
C-14C	AS 500 BTB	SPRC3/8	AS SS	OD5 3/8	AS 1200	SK32SS	---
C-14HS	AS 500 EH	SPRC7/16	AS SS	OD5 1/2	AS 1200	SK40SS	---
C-14KO	AS 500 KO	SPRC1/2	AS SS	OD5 5/8	AS 1200	SK48SS	---
C-14P	AS 500 H	SPRC5/8	AS SS	OD5 3/4	AS 1200	SK56SS	---
C-14SL	AS 500 S	SPRC3/4	AS SS	OD5 7/8	AS 1200	SK64SS	---
C-16	AS 560	SPRM1/4	AS 517	OD6	AS 1200	SKT8CP	---
C-16C	AS 560 BTB	SPRM3/8	AS 517	OD6 1/8	AS 1200	SKT12CP	---
C-16HS	AS 560 EH	SPRM1/2	AS 517	OD6 1/4	AS 1200	SKT16CP	---
C-16KO	AS 560 KO	SPRM 5/8	AS 517	OD6 3/8	AS 1200	SKT20CP	---
C-16P	AS 560 H	RID3/8	AS 1100	OD6 1/2	AS 1200	SKT24CP	---
C-16SL	AS 560 S	RID1/2	AS 1100	OD6 5/8	AS 1200	SKT32CP	---
D-12	AS 150	RID3/4	AS 1100	OD6 3/4	AS 1200	SKT40CP	---
D-12D	AS 150 BTB	RID1	AS 1100	OD6 7/8	AS 1200	SKT48CP	---
D-12HS	AS 150 EH	RID11/4	AS 1100	OD7	AS 1200	SKT56CP	---
D-12KO	AS 150 KO	RID11/2	AS 1100	OD7 1/8	AS 1200	SKT64CP	---
D-12P	AS 150 H	RID2	AS 1100	OD7 1/4	AS 1200	PCC1/4	AS 009 P
D-12SL	AS 150 S	RID21/2	AS 1100	OD7 3/8	AS 1200	PCC3/8	AS 011 P
E-12	AS 100	RID3	AS 1100	OD7 1/2	AS 1200	PCC1/2	AS 014 P
E-12E	AS 100 BTB	RID31/2	AS 1100	OD7 5/8	AS 1200	PCC3/4	AS 017 P
E-12HS	AS 100 EH	RID4	AS 1100	OD7 3/4	AS 1200	PCC1	AS 021 P
E-12KO	AS 100 KO	RID5	AS 1100	OD7 7/8	AS 1200	PCC11/4	AS 027 P
E-12P	AS 100 H	RID6	AS 1100	OD8	AS 1200	PCC11/2	AS 030 ODP
E-12SL	AS 100 S	RID8	AS 1100	OD8 1/8	AS 1200	PCC2	AS 038 ODP
M-12	AS 400	RID10	AS 1100	OD8 1/4	AS 1200	PCC21/2	AS 046 ODP
M-12M	AS 400 BTB	RID12	AS 1100	OD8 3/8	AS 1200	PCC3	AS 056 ODP
M-12HS	AS 400 EH	UNIV1/2	AS 1100	OD8 1/2	AS 1200	PCC31/2	AS 064 ODP
M-12KO	AS 400 KO	UNIV3/4	AS 1100	COPC1/4	AS 1200	PCC4	AS 072 ODP
M-12P	AS 400 H	UNIV1	AS 1100	COPC3/8	AS 1200	VS-20	CUSHION STRIP
M-12SL	AS 400 S	UNIV11/4	AS 1100	COPC1/2	AS 1200	EPS1/2	AS 1450
NUT#8	AS NS	UNIV11/2	AS 1100	COPC3/4	AS 1200	EPS3/4	AS 1450
NUT#10	AS NS	UNIV2	AS 1100	COPC1	AS 1200	EPS1	AS 1450
NUT1/4	AS NS	OD1/4	AS 1200	COPC11/4	AS 1200	EPS11/4	AS 1450
NUT5/16	AS NS	OD3/8	AS 1200	COPC11/2	AS 1200	EPS11/2	AS 1450
NUT3/8	AS NS	OD1/2	AS 1200	COPC2	AS 1200	EPS2	AS 1450
NUT7/16	AS NS	OD5/8	AS 1200	COPC21/2	AS 1200	STR1/4	FIG. 126
NUT1/2	AS NS	OD3/4	AS 1200	COPC3	AS 1200	STR5/16	FIG. 126
NUT5/8	AS NS	OD7/8	AS 1200	COPC31/2	AS 1200	STR3/8	FIG. 126
NUT3/4	AS NS	OD1	AS 1200	COPC4	AS 1200	STR1/2	FIG. 126
NUT7/8	AS NS	OD1 1/8	AS 1200	COPC5	AS 1200	STR5/8	FIG. 126
NUTC1/4	---	OD1 1/4	AS 1200	COPC6	AS 1200	STR3/4	FIG. 126
NUTC3/8	---	OD1 3/8	AS 1200	EMTC3/8	AS 1000	STR7/8	FIG. 126

* Comparable with some deviation in dimension or configuration.

B-LINE
ERISTRUT
GLOBE
HAYDON
KINDORF
PHD
POWER-STRUT
SUPERSTRUT
TOLSTRUT
UNISTRUT

Anvil-Strut™ Cross Reference Guide

ERISTRUT

<i>Eristrut Number</i>	<i>Anvil-Strut Number</i>	<i>Eristrut Number</i>	<i>Anvil-Strut Number</i>	<i>Eristrut Number</i>	<i>Anvil-Strut Number</i>	<i>Eristrut Number</i>	<i>Anvil-Strut Number</i>
STR1	FIG. 126	10EG 5/16	AS 83	50EG 5/8	FIG. 146	300 3/4	FIG. 94
2STR1/2	AS 3126	10EG 3/8	AS 83	50EG 3/4	FIG. 146	300 7/8	FIG. 94
2STR3/4	AS 3126	10EG 1/2	AS 83	GTUP	---	RA 3/8	AS 51
2STR1	AS 3126	10EG 5/8	AS 83	SWM3/8	---	RA 1/2	AS 51
2STR11/4	AS 3126	11EG 1/4	AS 209	SWM1/2	---	RA 3/4	AS 51
2STR11/2	AS 3126	11EG 5/16	AS 209	SWMF3/8	AS 203	RA 1	AS 51
2STR2	AS 3126	11EG 3/8	AS 209	SWMF1/2	AS 203	RA 11/4	AS 51
2STR21/2	AS 3126	11EG 1/2	AS 209	25EG 1/4	FIG.135	RA 11/2	AS 51
2STR3	AS 3126	11EG 5/8	AS 209	25EG 5/16	FIG.135	RA 2	AS 51
2STR31/2	AS 3126	11EG 3/4	AS 209	25EG 3/8	FIG.135	RA 21/2	AS 51
2STR4	AS 3126	13EG 1/4	AS 211	25EG 7/16	FIG.135	RA 3	AS 51
2STR5	AS 3126	13EG 5/16	AS 211	25EG 1/2	FIG.135	RA 31/2	AS 51
2STR6	AS 3126	13EG 3/8	AS 211	25EG 5/8	FIG.135	RA 4	AS 51
2STR8	AS 3126	13EG 1/2	AS 211	25EG 3/4	FIG.135	PAR 3/8	---
TCC1/4	AS 004 ODN	13EG 5/8	AS 211	25EG 7/8	FIG.135	PAR 1/2	---
TCC3/8	AS 006 ODN	13EG 3/4	AS 211	25EG 1	FIG.135	PAR 3/4	---
TCC1/2	AS 008 ODN	RSCRW 1/4X1/2	---	SHN 1/4X1/2	---	PAR 1	---
TCC5/8	AS 010 ODN	RSCRW 1/4X5/8	---	BC09-09	AS 871	PAR 11/4	---
TCC3/4	AS 012 ODN	RSCRW 1/4X3/4	---	BC09-12	AS 871	PAR 11/2	---
TCC7/8	AS 014 ODN	RSCRW 1/4X1/2	---	BC09-15	AS 871	PAR 2	---
TCC1	AS 016 ODN	RSCRW 5/16X1	---	BC10	---	PAR 21/2	---
TCC1 1/8	AS 018 ODN	RSCRW 5/16X11/4	---	BC11-8	---	PAR 3	---
TCC1 1/4	AS 020 ODN	RSCRW 3/8X1	---	BC12-12	---	PAR 31/2	---
TCC1 3/8	AS 022 ODN	RSCRW 3/8X11/4	---	BC11JBLT	---	PAR 4	---
TCC1 1/2	AS 024 ODN	RSCRW 3/8X11/2	---	BC12JBLT	---	ET 1/2	---
TCC1 5/8	AS 026 ODN	RSCRW 3/8X21/2	---	BC13-1/4	AS 858	ET 3/4	---
TCC1 3/4	AS 028 ODN	SHH 1/4X3/4	AS 6075	BC13-5/16	AS 858	ET 1	---
TCC1 7/8	AS 030 ODP	SHH 1/4X1	AS 6075	BC13-3/8	AS 858	ET 11/4	---
TCC2	AS 032 ODN	SHH 1/4X11/4	AS 6075	BC13-1/2	AS 858	ET 11/2	---
TCC2 1/8	AS 034 ODN	SHH 1/4X11/2	AS 6075	BC13-5/8	AS 858	ET 2	---
TCC2 3/8	AS 038 ODN	SHH 5/16X1	AS 6075	BC13-3/4	AS 858	ET 21/2	---
TCC2 1/2	AS 040 ODN	SHH 5/16X11/4	AS 6075	BC14-1/4	AS 865	ET 3	---
TCC2 5/8	AS 042 ODN	SHH 5/16X11/2	AS 6075	BC14-5/16	AS 865	310 3/8	FIG. 93
TCC3	AS 048 ODN	SHH 3/8X11/4	AS 6075	BC14-3/8	AS 865	310 1/2	FIG. 93
TCC3 1/8	AS 050 ODN	SHH 3/8X111/2	AS 6075	BC14-1/2	AS 865	315 3/8	---
TCC3 5/8	AS 058 ODN	SQSCRW 1/4X1	---	BC14-5/8	AS 865	BR10L-6	AS 838
TCC4 1/8	AS 066 ODN	SQSCRW 5/16X11/2	---	BC14-3/4	AS 865	BR10L-8	AS 838
TCC5 1/8	AS 082 ODN	SQSCRW 3/8X11/2	---	BC15	AS 2623	BR10L-10	AS 838
TCC6 1/8	AS 098 ODN	SQSCRW 3/8X2	---	BC16-A	AS 855	BR10L-12	AS 838
FSCRW 1/4X5/8	---	SQSCRW 1/2X11/2	---	BC17-A	AS 2651	BR10L-18	AS 838
FSCRW 1/4X1	---	SQSCRW 1/2X2	---	BC17-D	AS 2651	BR10L-20	AS 838
FSCRW 5/16X1	---	SQSCRW 5/8X11/2	---	BC17PL	AS 2651	BR10L-26	AS 838
FSCRW 5/16X21/4	---	SQSCRW 5/8X2	---	BC18-3/8	AS 907	BR10R-6	AS 838
FSCRW 3/8X2	---	SQNUT 1/4	AS 6108	BC18-1/2	AS 998	BR10R-8	AS 838
FSCRW 3/8X21/4	---	SQNUT 5/16	AS 6108	BC-19	AS 684	BR10R-10	AS 838
FSCRW 3/8X21/2	---	SQNUT 3/8	AS 6108	BC-20	AS 686	BR10R-12	AS 838
FSCRW 1/2X1	---	SQNUT 1/2	AS 6108	BC-21	AS 685	BR10R-18	AS 838
FSCRW 1/2X11/4	---	SQNUT 5/8	AS 6108	BC23-A	AS 2654	BR10R-20	AS 838
FSCRW 1/2X21/2	---	150EG 1/2	FIG. 137	BC23-C	AS 2654 A	BR10R-26	AS 838
HEXSCRW 1/4X7/16	AS 6024	150EG 3/4	FIG. 137	BC-24	AS 998	BR11 8	AS 732
HEXSCRW 1/4X3/4	AS 6024	150EG 1	FIG. 137	BC26	AS 85	BR11 10	AS 732
HEXSCRW 1/4X1	AS 6024	150EG 11/4	FIG. 137	BC70 4-6	AS 2656	BR11 12	AS 732
HEXSCRW 1/4X11/2	AS 6024	150EG 11/2	FIG. 137	BC70 6-9	AS 2656	BR11 14	AS 732
HEXSCRW 1/4X2	AS 6024	150EG 2	FIG. 137	BC70 9-12	AS 2656	BR11 22	AS 732
HSCRW 5/16X1	AS 6024	150EG 3	FIG. 137	BC70 12-15	AS 2656	BR-12	---
HSCRW 5/16X11/4	AS 6024	150EG 21/2	FIG. 137	BC71 4-6	AS 2656	BR-13	AS 708
HSCRW 3/8X3/4	AS 6024	150EG 31/2	FIG. 137	BC71 6-9	AS 2656	BR-14	AS 3164
HSCRW 3/8X7/8	AS 6024	150EG 4	FIG. 137	BC71 9-12	AS 2656	BR-15 6	AS 661 T1
HSCRW 3/8X1	AS 6024	150EG 5	FIG. 137	BC71 12-15	AS 2656	BR-15 12	AS 661 T1
HSCRW 3/8X11/4	AS 6024	150EG 6	FIG. 137	BC72 4-6	AS 2657	BR-15 18	AS 661 T1
HSCRW 3/8X11/2	AS 6024	150EG 8	FIG. 137	BC72 6-9	AS 2657	BR-15 24	AS 661 T1
HSCRW 3/8X2	AS 6024	150EG 10	FIG. 137	BC72 9-12	AS 2657	BR-16 6	AS 661 T1
HSCRW 1/2X3/4	AS 6024	150EG 12	FIG. 137	BC72 12-15	AS 2657	BR-16 12	AS 661 T1
HSCRW 1/2X15/16	AS 6024	SWF3/8	---	BC73 4-6	AS 2657	BR-16 18	AS 661 T1
HSCRW 1/2X1	AS 6024	SWF1/2	---	BC73 6-9	AS 2657	BR-16 24	AS 661 T1
HSCRW 1/2X11/4	AS 6024	SWFF3/8	---	BC73 9-12	AS 2657	BR-17 12	AS 809
HSCRW 1/2X11/2	AS 6024	SWFF1/2	---	BC73 12-15	AS 2657	BR-17 18	AS 809
HSCRW 1/2X13/4	AS 6024	50EG 1/4	FIG. 146	200 3/8	FIG. 95	BR-17 24	AS 809
HSCRW 1/2X2	AS 6024	50EG 5/16	FIG. 146	200 1/2	FIG. 95	BR-17 30	AS 809
HSCRW 1/2X21/4	AS 6024	50EG 3/8	FIG. 146	300 3/8	FIG. 92	BR-17 36	AS 809
HSCRW 1/2X21/2	AS 6024	50EG 7/16	FIG. 146	300 1/2	FIG. 92	BR-18 6	AS 661 T1
10EG 1/4	AS 83	50EG 1/2	FIG. 146	300 5/8	FIG. 92	BR-18 9	AS 661 T1

* Comparable with some deviation in dimension or configuration.

<i>Eristrut Number</i>	<i>Anvil-Strut Number</i>	<i>Eristrut Number</i>	<i>Anvil-Strut Number</i>	<i>Eristrut Number</i>	<i>Anvil-Strut Number</i>	<i>Eristrut Number</i>	<i>Anvil-Strut Number</i>
BR-18 12	AS 661 T1	EF11 3	AS 2631	JB-3	---	L-37 65/8	AS 689
BR-18 18	AS 661 T1	EF11 3(1/2)	AS 2631	JB-4	---	L-38 85/8	AS 689
BR-18 24	AS 661 T1	EF12 5	AS 2631	F-09	AS 601	L-39	---
BR-19 6	AS 661 T2	EF12 5(1/2)	AS 2631	F10-1/4	AS 2504	L-40	AS 927
BR-19 9	AS 661 T2	EF13A	AS 2631 D	F10-3/8	AS 2504	L-41	---
BR-19 12	AS 661 T2	EF13B	AS 2631 D	F10-1/2	AS 2504	L-42L	---
BR-19 19	AS 661 T2	EF13C	AS 2631 D	F10-5/8	AS 2504	L-42R	---
BR-19 24	AS 661 T2	EF13D	AS 2631 D	F10-3/4	AS 2504	L-43	---
BR-20	---	EF13E	AS 2631 D	F13-1/4	AS 619	L-44 12	AS 926
BR-21	---	EF13M	AS 2631 D	F14-3/8	AS 619	L-44 16	AS 926
BR-22 6	AS 809	EF15A 1/2	AS 2511	F15-1/2	AS 619	L-44 18	AS 926
BR-22 12	AS 809	EF15A 3/4	AS 2511	F16-5/8	AS 619	L-46 FLAT	AS 633
BR-22 18	AS 809	EF15B 1/2	AS 2511	F17-3/4	AS 619	L-46 71/2	AS 633
BR-22 24	AS 809	EF15B 3/4	AS 2511	F18-7/8	AS 619	L-46 30	AS 633
BR-22 36	AS 809	EF15D 1/2	AS 2511	F-20	AS 602	L-46 45	AS 633
SF-10	AS 2422	EF15D 3/4	AS 2511	F-21	AS 888	L-46 60	AS 633
SF-11	AS 2401	EF15E 1/2	AS 2511	F-22	AS 620	L-46 821/2	AS 633
SF-12	AS 2401	EF15E 3/4	AS 2511	F-23	AS 888	L-47 FLAT	AS 624
SF-13	AS 2401	EF16-1/2	---	F-24	---	L-47 30	AS 624
SF-14	AS 2421	EF16-1	---	F-25	AS 714	L-47 45	AS 624
SF-15	AS 2404	EF16-11/2	---	F-26	AS 617*	L-47 60	AS 624
SF-16	AS 2405	EF16-2	---	F-27	AS 617	L-47 821/2	AS 624
SF-17	AS 2406	EF16-21/2	---	F-28	AS 712	---	AS 781
SF-18	AS 2407	EF16-3	---	F-29	---	---	AS 793
SF-19	AS 2408	EF16-31/2	---	F-30	AS 925	U-10A	AS 613
SF-20 11/4	AS 825	EF16-4	---	F-31	AS 747	U-11C	AS 929
SF-20 2	AS 825	EF17-1/2	---	F-32	AS 854	U-12D	AS 2119
SF-21 11/4	AS 825	EF17-1	---	F-33	AS 750	U-13-71/4	AS 687
SF-21 2	AS 825	EF17-11/2	---	F-34	AS 2190	U-13 81/2	AS 687
SF-22 1/2	---	EF17-2	---	F-35	AS 744	U-13-103/8	AS 687
SF-22 3/4	---	EF17-21/2	---	F-36	AS 718	U-14	AS 721
SF-22 1	---	EF17-3	---	F-37	AS 719	U-15	AS 2648
SF-23 12	---	EF17-31/2	---	F-38	AS 2112	U-16	AS 678
SF-23 18	---	EF17-4	---	L-10	AS 604	U-17	AS 687
SF-23 24	---	EF18-8	---	L-11	AS 603	U-18	AS 677
SF-23 30	---	EF18-9	---	L-12-3	AS 2144	U-19	AS 2528
SF-23 36	---	EF18-10	---	L-12-31/2	AS 2144	U-20	AS 2528-1
SF-23 42	---	EF18-11	---	L-12-4	AS 2144	U-22A	AS 644
SF-23 48	---	EF18-12	---	L-13	FIG. 207	U-22C	AS 644
SF-24	---	EF18-13	---	L-14	---	U-23A	AS 629
SF-25	---	EF18-14	---	L-15	AS 2520	U-23C	AS 645
SF-26	---	EF19-3	---	L-16	AS 763	U-24A	AS 646
A12CONCT240	AS 449	EF20-41/2	---	L-17	AS 764	U-24C	AS 646
B12CONCT240	AS 349	EF21-1/2	---	L-18	AS 745	U-24D	AS 646
C12CONCT240	AS 349	EF21-1	---	L-19	AS 605	U-24E	AS 646
FILA	AS 449 FOAM	EF21-11/2	---	L-20	AS 606	U-25	AS 2623
FILB	AS 449 FOAM	EF21-2	---	L-21	AS 3049	U-26	---
FILC	AS 449 FOAM	EF21-21/2	---	L-22	AS 607	U-27-4	AS 993
CL10 Plas.	AS 707P	EF21-3	---	L-23U	AS 3373	U-27-5	AS 993
CL10 E.G.	AS 707	EF21-31/2	---	L-23R	AS 3373	U-27-6	AS 993
CL10 GRN	AS 6151	EF21-4	---	L-23L	AS 3373	U-27-7	AS 993
CL10 CG	AS 6151	EF22A	---	L-24R	---	U-27-8	AS 993
335EG	FIG. 285	EF22B	---	L-24L	---	U-31	AS 733
A12ENDSPOT	AS 653	EF22C	---	L-25R	---	U-32	AS 735
B12ENDSPOT	AS 653	EF22D	---	L-25L	---	W-10R	AS 922
C12ENDSPOT	AS 654	EF22E	---	L-26R	AS 720	W-10L	AS 922
M12ENDSPOT 131	AS 654	EF22M	---	L-26L	AS 720	W-11R	AS 2128
A12ENDCAP	AS 2580	EF24A	---	L-27	AS 715	W-11L	AS 2128
A14ENDCAP	AS 655	EF24B	---	L-28	AS 715	W-12	AS 665
B12ENDCAP	AS 930	EF24C	---	L-29 37/8	AS 921	W-13	AS 666
C14ENDCAP	AS 901	EF24D	---	L-29 57/8	AS 921	W-14	AS 667
D12ENDCAP	AS 902	EF24E	---	L-29 77/8	AS 921	W-15R	AS 922
E12ENDCAP	AS 656	EF24M	---	L-29 97/8	AS 921	W-15L	AS 922
M12ENDCAP	AS 901	EF24SP	---	L-30	---	W-16	AS 923
---	AS 2631	EF26	---	L-31R	---	W-17	AS 913
---	AS 2631D	EF28	---	L-31L	---	W-18	---
355NEG1/4	FIG. 285 NUT	EF29 6	---	L-32	AS 614	W-19	AS 668
355NEG3/8	FIG. 285 NUT	EF30	---	L-33	AS 615	W-20	---
355NEG1/2	FIG. 285 NUT	CCP1/2	AS 2560	L-34	AS 748	W-21	AS 669
355NEG5/8	FIG. 285 NUT	CCP3/4	AS 2561	L-35	---	W-22R	---
355NEG3/4	FIG. 285 NUT	JB-1	---	L-36	---	W-22L	---
355NEG7/8	FIG. 285 NUT	JB-2*	---	L-36L	---	W-23	---

* Comparable with some deviation in dimension or configuration.

B-LINE
ERISTRUT
GLOBE
HAYDON
KINDORF
PHD
POWER-STRUT
SUPERSTRUT
TOLSTRUT
UNISTRUT

Eristrut Number	Anvil-Strut Number
W-24	---
W-25	---
W-26	---
W-27	---
Z-10A	AS 611
Z-10B	AS 2601
Z-10C	AS 612
Z-10D	---
Z-10E	---
Z-10M	AS 711
Z-14	AS 609
Z-15	---
Z-16	---
Z-17-4	AS 3060
Z-17-5	AS 3060
Z-17-6	AS 3060
Z-17-7	AS 3060
Z-17-8	AS 3060
Z-18	---
Z-19	---
Z-20	---
Z-21	---
Z-22	---
Z-23	---
Z-24	---
Z-25	---
P-09	AS 3025
P-10	AS 3013
P-11	AS 3033
P-12	AS 3029
P-13	AS 3064
P-14	---
P-15	AS 3040
ROL-10	AS 2521
ROL-11	AS 2522
ROL-12	AS 1901
ROL-13 1-3	AS 1902
ROL-13 3-4	AS 1902
ROL-13 4-6	AS 1902
ROL-13 6-8	AS 1902
ROL-14	AS 815
ROL-15	---

Globe Number	Anvil-Strut Number	Globe Number	Anvil-Strut Number	Globe Number	Anvil-Strut Number	Globe Number	Anvil-Strut Number
CI-1012-12	AS 449	CI-5814-32	AS 349	G-1703	AS 517 3/8X11/4	G-1926	FIG. 137
CI-1012-120	AS 449 CS/EC 10'	CI-5814-40	AS 349	G-1704	AS 517 1/2X1	G-1927	FIG. 137
CI-1012-144	AS 449	CI-5814-48	AS 349	G-1705	AS 517 1/2X11/4	G-1928	FIG. 137
CI-1012-16	AS 449	CI-5814-72	AS 349	G-1805	---	G-1929	FIG. 137
CI-1012-168	AS 449	CI-5814-8	AS 349	G-1806	AS 6024 1/4X3/4	G-1930	FIG. 137
CI-1012-192	AS 449	CI-5814-80	AS 349	G-1807	AS 6024 1/4X1	G-1931	FIG. 137
CI-1012-216	AS 449	CI-5814-96	AS 349	G-1808	AS 6024 3/8X3/4	G-1932	FIG. 137
CI-1012-24	AS 449	G-1012	AS 400	G-1809	AS 6024 3/8X1	G-1933	FIG. 137
CI-1012-240	AS 449 CS/EC 20'	G-1012-A	AS 400 BTB	G-1810	AS 6024 3/8X11/4	G-1934	FIG. 137
CI-1012-32	AS 449	G1012-AB	---	G-1811	AS 6024 3/8X11/2	G-1935	FIG. 137
CI-1012-40	AS 449	G-1012-AL	AS 400 ALM	G-1812	AS 6024 3/8X2	G-1936	FIG. 137
CI-1012-48	AS 449	G-1012-DS	---	G-1813	AS 6024 3/8X21/4	G-1937	FIG. 137
CI-1012-72	AS 449	G-1012-KO	AS 400 KO	G-1814	AS 6024 1/2X1	G-1938	FIG. 137
CI-1012-80	AS 449	G-1012-PO	AS 400 H	G-1815	AS 6024 1/2X11/4	G-1939	FIG. 137
CI-1012-96	AS 449	G-1012-PO-AL	AS 400 H ALM	G-1816	AS 6024 1/2X11/2	G-2002	---
CI-1315-12	AS 449	G-1012-SH	AS 400 EH	G-1817	---	G-2003	AS 619 1/4
CI-1315-120	AS 449 CS/EC 10'	G-1012-SH-AL	AS 400 EH ALM	G-1818	AS 6024 1/2X2	G-2004	AS 619 3/8
CI-1315-144	AS 449	G-1012-SL	AS 400 S	G-1819	AS 6024 1/2X21/4	G-2005	AS 619 1/2
CI-1315-16	AS 449	G-1012-SL-AL	AS 400 S ALM	G-1820	AS 6024 1/2X21/2	G-2006	AS 619 5/8
CI-1315-168	AS 449	G-1031	AS RS 10-24	G-1821	---	G-2007	AS 619 3/4
CI-1315-192	AS 449	G-1032	AS RS 1/4	G-1822	AS 6075 1/4X3/4	G-2011	AS 620
CI-1315-216	AS 449	G-1033	AS RS 5/16	G-1823	---	G-2013	---
CI-1315-24	AS 449	G-1034	AS RS 3/8	G-1824	AS 6075 5/16X11/4	G-2017	AS 602
CI-1315-240	AS 449 CS/EC 20'	G-1035	AS RS 1/2	G-1825	AS 6075 3/8X11/2	G-2019	---
CI-1315-32	AS 449	G-1036	AS RS 5/8	G-1827	---	G-2023	AS 888
CI-1315-40	AS 449	G-1037	AS RS 3/4	G-1828	---	G-2026	---
CI-1315-48	AS 449	G-1131	AS NS 10-24	G-1829	---	G-2029	AS 618
CI-1315-72	AS 449	G-1132	AS NS 1/4	G-1833	---	G-2032	AS 617
CI-1315-8	AS 449	G-1133	AS NS 5/16	G-1834	---	G-2037	AS 718
CI-1315-80	AS 449	G-1134	AS NS 3/8	G-1835	---	G-2038	---
CI-1315-96	AS 449	G-1135	AS NS 1/2	G-1836	---	G-2039	---
CI-3812-12	AS 349	G-1136	AS NS 5/8	G-1837	---	G-2042	AS 714
CI-3812-120	AS 349 CS/EC 10'	G-1137	AS NS 3/4	G-1838	---	G-2047	AS 712
CI-3812-144	AS 349	G-1231	AS SS 10-24	G-1842	AS 83 1/4	G-2052	AS 747
CI-3812-16	AS 349	G-1232	AS SS 1/4	G-1843	---	G-2053	AS 925
CI-3812-168	AS 349	G-1233	AS SS 5/16	G-1844	AS 83 3/8	G-2057	AS 854
CI-3812-192	AS 349	G-1234	AS SS 3/8	G-1845	AS 83 1/2	G-2063	AS 750
CI-3812-216	AS 349	G-1235	AS SS 1/2	G-1846	AS 83 5/8	G-2068	---
CI-3812-24	AS 349	G-1236	AS SS 5/8	G-1852	AS 6108 1/4	G-2512	AS 100
CI-3812-240	AS 349 CS/EC 20'	G-1237	AS SS 3/4	G-1853	---	G-2512-PO	AS 100 H
CI-3812-32	AS 349	G-1315	AS 500	G-1854	AS 6108 3/8	G-3002	AS 921 A
CI-3812-40	AS 349	G-1315-A	AS 500 BTB	G-1855	AS 6108 1/2	G-3005	AS 604
CI-3812-48	AS 349	G-1315-AB	---	G-1859	FIG. 135	G-3006	AS 603
CI-3812-72	AS 349	G-1315-AL	AS 500 ALM	G-1860	FIG. 135	G-3007	AS 2144-3
CI-3812-8	AS 349	G-1315-DS	---	G-1861	FIG. 135	G-3009	---
CI-3812-80	AS 349	G-1315-KO	AS 500 KO	G-1862	FIG. 135	G-3010	---
CI-3812-96	AS 349	G-1315-PO	AS 500 H	G-1863	FIG. 135	G-3013	AS 2520
CI-5812-12	AS 349	G-1315-PO-AL	AS 500 H ALM	G-1868	---	G-3014	AS 764
CI-5812-120	AS 349 CS/EC 10'	G-1315-SH	AS 500 EH	G-1869	---	G-3018	AS 806
CI-5812-144	AS 349	G-1315-SH-AL	AS 500 EH ALM	G-1870	---	G-3021	AS 745
CI-5812-16	AS 349	G-1315-SL	AS 500 S	G-1871	---	G-3022	---
CI-5812-168	AS 349	G-1315-SL-AL	AS 500 S ALM	G-1874	AS 209 1/4	G-3023	AS 605
CI-5812-192	AS 349	G-1335	AS NS 1/2	G-1875	---	G-3024	AS 606
CI-5812-216	AS 349	G-1336	AS NS 5/8	G-1876	AS 209 3/8	G-3027	---
CI-5812-24	AS 349	G-1337	AS NS 3/4	G-1877	AS 209 1/2	G-3028	---
CI-5812-240	AS 349 CS/EC20'	G-1432	AS LS 1/4	G-1878	AS 209 5/8	G-3029	---
CI-5812-32	AS 349	G-1434	AS LS 3/8	G-1881	AS 211 1/4	G-3032	AS 660
CI-5812-40	AS 349	G-1435	AS LS 1/2	G-1882	---	G-3033	AS 607
CI-5812-48	AS 349	G-1436	AS LS 5/8	G-1883	AS 211 3/8	G-3036	---
CI-5812-72	AS 349	G-1437	AS LS 3/4	G-1884	AS 211 1/2	G-3036	---
CI-5812-8	AS 349	G-1531	---	G-1905	FIG. 146	G-3040	AS 715
CI-5812-80	AS 349	G-1532	---	G-1906	FIG. 146	G-3043	AS 720 R
CI-5812-96	AS 349	G-1533	---	G-1907	FIG. 146	G-3044	AS 720 L
CI-5814-12	AS 349	G-1534	---	G-1908	FIG. 146	G-3049	---
CI-5814-120	AS 349 CS/EC 10'	G-1619	---	G-1909	FIG. 146	G-3050	---
CI-5814-144	AS 349	G-1619-A	---	G-1910	FIG. 146	G-3053	AS 720 R
CI-5814-16	AS 349	G-1631	---	G-1911	FIG. 146	G-3054	AS 720 L
CI-5814-168	AS 349	G-1632	---	G-1912	FIG. 146	G-3057	---
CI-5814-192	AS 349	G-1633	---	G-1913	FIG. 146	G-3059	AS 614
CI-5814-216	AS 349	G-1634	---	G-1914	FIG. 146	G-3060	AS 748
CI-5814-24	AS 349	G-1701	---	G-1915	FIG. 146	G-3063	AS 615
CI-5814-240	AS 349 CS/EC 20'	G-1702	AS 517 3/8X1	G-1925	FIG. 137	G-3067	AS 689 A

* Comparable with some deviation in dimension or configuration.

B-LINE
ERISTRUT
GLOBE
HAYDON
KINDORF
PHD
POWER-STRUT
SUPERSTRUT
TOLSTRUT
UNISTRUT

Anvil-Strut™ Cross Reference Guide

GLOBE

Globe Number	Anvil-Strut Number	Globe Number	Anvil-Strut Number	Globe Number	Anvil-Strut Number	Globe Number	Anvil-Strut Number
G-3068	AS 689 B	G-4024	AS 687 C	G-5086	AS 825 R	G-7002	AS 1100 1/2
G-3072	---	G-4028	AS 2648	G-5087	AS 825 L	G-7003	AS 1100 3/4
G-3073	---	G-4029	AS 613	G-5092	---	G-7004	AS 1101 1
G-3077	AS 922 R	G-4030	AS 710	G-5097	---	G-7005	AS 1100 1 1/4
G-3078	AS 922 L	G-4031	AS 978	G-5099	AS 926-18	G-7006	AS 1100 1 1/2
G-3081	AS 923	G-4032	AS 929	G-5101	AS 3013	G-7007	AS 1100 2
G-3084	AS 821	G-4036	AS 721	G-5105	AS 3033	G-7007	AS 1200 2 3/8
G-3087	AS 665	G-4039	AS 679	G-5109	AS 3029	G-7008	AS 1100 2 1/2
G-3090	AS 666	G-4042	AS 2601	G-5113	AS 3064	G-7008	AS 1200 2 7/8
G-3093	AS 667	G-4044	AS 611	G-5812	AS 200	G-7009	AS 1100 3
G-3096	AS 668	G-4045	AS 711	G-5812-A	AS 200 BTB	G-7010	AS 1100 3 1/2
G-3098	---	G-4046	AS 612	G-5812-A-AL	AS 200 BTB ALM	G-7011	AS 1100 4
G-3099	AS 669	G-4047	AS 928	G-5812-AB	---	G-7012	AS 1100 5
G-3101	---	G-4050	---	G-5812-AL	AS 300 ALM	G-7013	AS 1100 6
G-3105	---	G-4053	---	G-5812-B	AS 300 STS	G-7015	AS 1100 8
G-3108	---	G-4054	---	G-5812-B-AL	AS 300 STS ALM	G-7101	---
G-3110	AS 633 60	G-4057	AS 3060 5	G-5812-C	AS 300 STSR	G-7102	AS 1000 1/2
G-3111	AS 633 45	G-5002	AS 661 T1 6	G-5812-D	AS 300 BTS	G-7103	AS 1000 3/4
G-3112	AS 633 37 1/2	G-5002	AS 661 6	G-5812-DS	---	G-7104	AS 1000 1
G-3113	AS 633 30	G-5003	AS 661 T1 12	G-5812-E	---	G-7105	AS 1000 1 1/4
G-3116	AS 624 821/2	G-5003	AS 661 12	G-5812-F	---	G-7106	AS 1000 1 1/2
G-3117	AS 624 75	G-5011	AS 661 T2 6	G-5812-G	AS 300 BTBS	G-7107	AS 1000 2
G-3118	AS 624 671/2	G-5012	AS 661 T2 12	G-5812-H	---	G-7201	AS 1200 1/4
G-3119	AS 624 60	G-5021	AS 661 18	G-5812-J	---	G-7202	AS 1200 3/8
G-3120	AS 624 521/2	G-5022	AS 661 24	G-5812-K	---	G-7203	AS 1200 1/2
G-3121	AS 624 45	G-5029	AS 651-6	G-5812-KO	AS 200 KO	G-7204	AS 1200 5/8
G-3122	AS 624 37 1/2	G-5030	AS 651-12	G-5812-L	---	G-7205	AS 1200 3/4
G-3127	AS 781 82 1/2	G-5031	AS 651-18	G-5812-M	---	G-7206	AS 1200 7/8
G-3128	AS 781 75	G-5032	AS 651-24	G-5812-N	---	G-7207	AS 1200 1
G-3129	AS 781 67 1/2	G-5033	AS 651 30	G-5812-PO	AS 200 H	G-7208	AS 1200 1 1/8
G-3130	AS 781 60	G-5038	AS 809-12	G-5812-PO-AL	AS 200 H ALM	G-7209	AS 1200 1 1/4
G-3131	AS 781 52 1/2	G-5039	AS 809-18	G-5812-SH	AS 200 EH	G-7210	AS 1200 1 3/8
G-3132	AS 781 45	G-5040	AS 809-24	G-5812-SH-AL	AS 200 EH ALM	G-7211	AS 1200 1 1/2
G-3133	AS 781 37 1/2	G-5041	AS 809-30	G-5812-SL	AS 200 S	G-7213	AS 1200 1 3/4
G-3134	AS 781 30	G-5042	AS 809-36	G-5812-SL-AL	AS 200 S ALM	G-7214	AS 1200 1 7/8
G-3138	AS 793 60	G-5046	---	G-5814	AS 210	G-7215	AS 1200 2
G-3139	AS 793 52 1/2	G-5047	---	G-5814-A	AS 210 BTB	G-7216	AS 1200 2 1/8
G-3140	AS 793 45	G-5048	---	G-5814-AB	---	G-7217	AS 1200 2 1/4
G-3219	---	G-5049	---	G-5814-B	AS 210 STS	G-7219	AS 1200 2 1/2
G-3219 A	---	G-5055	---	G-5814-C	AS 210 STSR	G-7220	AS 1200 2 5/8
G-3812	AS 300	G-5056	---	G-5814-D	AS 210 BTS	G-7221	AS 1200 2 3/4
G-3812-A	AS 300 BTB	G-5057	---	G-5814-DS	---	G-7223	AS 1200 3
G-3812-AB	---	G-5058	---	G-5814-E	---	G-7502	AS1300 1/2
G-3812-AL	AS 300 ALM	G-5065	AS 838 6	G-5814-F	---	G-7503	AS1300 3/4
G-3812-B	AS 300 STS	G-5065-L	AS 838 6 L	G-5814-G	AS 210 BTBS	G-7504	AS1300 1
G-3812-C	AS 300 STSR	G-5065-R	AS 838 6 R	G-5814-H	---	G-7505	AS1300 11/4
G-3812-DS	---	G-5066	AS 838 8	G-5814-J	---	G-7506	AS1300 11/2
G-3812-F	---	G-5066-L	AS 838 8 L	G-5814-K	---	G-7507	AS1300 2
G-3812-H	AS 300 BTBS	G-5066-R	AS 838 8 R	G-5814-KO	AS 210 KO	G-7514	AS 1200 7 5/8
G-3812-KO	AS 300 KO	G-5067	AS 838 10	G-5814-L	---	G-7515	AS 1200 8
G-3812-M	---	G-5067-L	AS 838 10 L	G-5814-M	---	G-7601	AS 3138 3/8
G-3812-PO	AS 300 H	G-5067-R	AS 838 10 R	G-5814-N	---	G-7602	AS 3138 1/2
G-3812-PO-AL	AS 300 H ALM	G-5068	AS 838 12	G-5814-PO	AS 210 H	G-7603	AS 3138 3/4
G-3812-SH	AS 300 EH	G-5068-L	AS 838 12 L	G-5814-SH	AS 210 EH	G-7604	AS 3138 1
G-3812-SH-AL	AS 300 EH ALM	G-5068-L	AS 838 12 R	G-5814-SL	AS 210 S	G-7605	AS 3138 1 1/4
G-3812-SL	AS 300 S	G-5069	AS 838 14	G-6001	AS 686	G-7606	AS 3138 1 1/2
G-3812-SL-AL	AS 300 S ALM	G-5069-L	AS 838 14 R	G-6005	AS 685	G-7607	AS 3138 2
G-4002	AS 631	G-5069-R	AS 838 14 L	G-6008	AS 684	G-7608	AS 3138 2 1/2
G-4003	AS 644	G-5070	AS 838 16	G-6013	AS 855	G-7609	AS 3138 3
G-4006	AS 645	G-5070-L	AS 838 16 R	G-6030	AS 2651 A	G-7610	AS 3138 3 1/2
G-4007	AS 645	G-5070-R	AS 838 16 L	G-6031	AS 2651 B	G-7611	AS 3138 4
G-4009	---	G-5071	AS 838 18	G-6038	AS 907	G-7612	AS 150
G-4010	AS 616	G-5071-L	AS 838 18 L	G-6040	AS 687 C	G-7612-A	AS 150 BTB
G-4011	AS 646	G-5071-R	AS 838 18 R	G-6041	AS 687 B	G-7612-AL	AS 150 ALM
G-4013	AS 993-4	G-5072	AS 838 20	G-6042	AS 687 A	G-7612-C	AS 150 STSR
G-4014	AS 993-5	G-5072-L	AS 838 20 L	G-6046	AS 2654	G-7612-PO	AS 150 H
G-4015	AS 993-6	G-5072-R	AS 838 20 R	G-6053	FIG. 86	G-7612-SL	AS 150 S
G-4016	AS 993-7	G-5073	AS 838 24	G-6054	FIG. 86	G-7901	AS 1450 1/4
G-4017	AS 993-8	G-5073-R	AS 838 24 R	G-6061	AS 2622	G-7903	AS 1450 3/8
G-4020	AS 677	G-5074	AS 838 30	G-6074	AS 858 1/2	G-7904	AS 1450 1/2
G-4022	AS 687 A	G-5081	AS 708	G-6078	AS 865 1/2	G-7905	AS 1450 5/8
G-4023	AS 687 B	G-5082	AS 3164	G-7001	AS 1100 3/8	G-7906	AS 1450 3/4

* Comparable with some deviation in dimension or configuration.

Globe Number	Anvil-Strut Number	Globe Number	Anvil-Strut Number
G-7907	AS 1450 7/8	---	AS 24100
G-7908	AS 1450 1	---	AS 24112
G-8001	AS 3126 1/2	---	AS 24137
G-8002	AS 3126 3/4	---	AS 24162
G-8003	AS 3126 1	---	AS 24212
G-8004	AS 3126 1 1/4	---	AS 24262
G-8005	AS 3126 1 1/2	---	AS 24312
G-8006	AS 3126 2	---	AS 24362
G-8007	AS 3126 2 1/2	---	AS 24412
G-8008	AS 3126 3	---	AS 26025
G-8009	AS 3126 3 1/2	---	AS 26037
G-8010	AS 3126 4	---	AS 26050
G-8011	AS 3126 5	---	AS 26062
G-9023	AS 655	---	AS 26075
G-9024	AS 656	---	AS 26087
G-9025	AS 901	---	AS 26112
G-9026	---	---	AS 26137
G-9027	AS 930	---	AS 26162
G-9040	---	---	AS 26212
G-9041	---	---	AS 26262
G-9042	---	---	AS 26312
G-9043	---	---	AS 26362
G-9045	---	---	AS 26412
G-9052	AS 2560	---	AS 28062
G-9053	AS 2561	---	AS 28087
G-9056	---	---	AS 28112
G-9057	---	---	AS 28137
G-9060	---	---	AS 28162
G-9062	---	---	AS 28212
G-9090	AS 707	---	AS 28262
G-9211	AS 653	---	AS 28312
G-9212	AS 654	---	AS 28362
G-9221	---		
GG6072	AS 858 3/8		
GG7009	AS 1200 3 1/2		
GG7010	AS 1200 4		
GG7011	AS 1200 4 1/2		
GG7224	AS 1200 3 1/8		
GG7225	AS 1200 3 1/4		
GG7226	AS 1200 3 3/8		
GG7228	AS 1200 3 5/8		
GG7229	AS 1200 3 3/4		
GG7230	AS 1200 3 7/8		
GG7232	AS 1200 4 1/8		
GG7233	AS 1200 4 1/4		
GG7234	AS 1200 4 3/8		
GG7236	AS 1200 4 5/8		
GG7237	AS 1200 4 3/4		
GG7238	AS 1200 4 7/8		
GG7239	AS 1200 5 1/4		
GG7240	AS 1200 5 3/8		
GG7241	AS 1200 5 1/2		
GG7242	AS 1200 6		
GG7243	AS 1200 6 1/8		
GI-1012	AS 449 Series		
R AND L NO PLAIN	AS 922		
---	AS 23025		
---	AS 23037		
---	AS 23050		
---	AS 23062		
---	AS 23075		
---	AS 23087		
---	AS 23100		
---	AS 23112		
---	AS 23137		
---	AS 23162		
---	AS 23212		
---	AS 24037		
---	AS 24050		
---	AS 24062		
---	AS 24075		
---	AS 24087		

* Comparable with some deviation in dimension or configuration.

B-LINE
ERISTRUT
GLOBE
HAYDON
KINDORF
PHD
POWER-STRUT
SUPERSTRUT
TOLSTRUT
UNISTRUT

Anvil-Strut™ Cross Reference Guide

HAYDON

Haydon Number	Anvil-Strut Number	Haydon Number	Anvil-Strut Number	Haydon Number	Anvil-Strut Number	Haydon Number	Anvil-Strut Number
1000 EC 1	AS 655	A 337	AS 2545	C 1101 1/2	AS 1200 1/2	C 1104 3/8	---
1000 EC 2	AS 656	A 340 4	AS 3060 4	C 1101 1/4	AS 1200 1/4	C 1107 1	AS 3138 1
1000 EC 5	AS 930	A 340 5	AS 3060 5	C 1101 2	AS 1200 2	C 1107 1 1/2	AS 3138 1 1/2
1000 EC 6	AS 2580	A 340 6	AS 3060 6	C 1101 2 1/2	AS 1200 2 1/2	C 1107 1 1/4	AS 3138 1 1/4
1000 EC 7	AS 902	A 340 7	AS 3060 7	C 1101 2 1/4	AS 1200 2 1/4	C 1107 1/2	AS 3138 1/2
1000 EC 8	AS 656	A 340 8	AS 3060 8	C 1101 2 1/8	AS 1200 2 1/8	C 1107 2	AS 3138 2
1000 EC3	AS 901	B 601 1	AS 978	C 1101 2 3/4	AS 1200 2 3/4	C 1107 2 1/2	AS 3138 2 1/2
1001 EC2	AS 653	B 601 2	AS 710	C 1101 2 3/8	AS 1200 2 3/8	C 1107 3	AS 3138 3
1001 EC3	AS 654	B 601 3	AS 613	C 1101 2 5/8	AS 1200 2 5/8	C 1107 3 1/2	AS 3138 3 1/2
A 301	AS 604	B 601 4	AS 2648	C 1101 2 7/8	AS 1200 2 7/8	C 1107 3/4	AS 3138 3/4
A 302	AS 603	B 601 6	AS 679	C 1101 3	AS 1200 3	C 1107 3/8	AS 3138 3/8
A 304	AS 806	B 602 1	AS 687 A	C 1101 3 1/2	AS 1200 3 1/2	C 1101 7	AS 3138 4
A 305	AS 605	B 602 2	AS 687 B	C 1101 3 1/4	AS 1200 3 1/4	C 1107 7	AS 1200 7
A 306	AS 606	B 602 3	AS 687 C	C 1101 3 1/8	AS 1200 3 1/8	C 1108 1	AS 3126 1
A 309	AS 748	B 603 2	AS 926 12	C 1101 3 3/4	AS 1200 3 3/4	C 1108 1 1/2	AS 3126 1 1/2
A 310	AS 614	B 605	AS 616	C 1101 3 3/8	AS 1200 3 3/8	C 1108 1 1/4	AS 3126 1 1/4
A 311	AS 607	B 606	AS 645	C 1101 3 5/8	AS 1200 3 5/8	C 1108 1/2	AS 3126 1/2
A 311	AS 660	B 607	AS 644	C 1101 3 7/8	AS 1200 3 7/8	C 1108 2	AS 3126 2
A 312	AS 715	B 608	AS 646	C 1101 3/4	AS 1200 3/4	C 1108 2 1/2	AS 3126 2 1/2
A 313	AS 615	B 609	AS 631	C 1101 3/8	AS 1200 3/8	C 1108 3	AS 3126 3
A 314	AS 927	B 610	AS 721	C 1101 4	AS 1200 4	C 1108 3 1/2	AS 3126 3 1/2
A 315	AS 689 A	B 611	AS 2528	C 1101 4 1/2	AS 1200 4 1/2	C 1108 3/4	AS 3126 3/4
A 315 1	AS 689 B	B 612	AS 2528 1	C 1101 4 1/4	AS 1200 4 1/4	C 1108 4	AS 3126 4
A 316	AS 633 45	B 615	AS 993	C 1101 4 1/8	AS 1200 4 1/8	C 1108 5	AS 3126 5
A 317	AS 624	B 616	AS 677	C 1101 4 3/4	AS 1200 4 3/4	C 1108 6	AS 3126 6
A 3174 37 1/2	AS 793 37 1/2	B 619	AS 3013	C 1101 4 3/8	AS 1200 4 3/8	C 1109 1	AS 1450 1
A 3174 45	AS 793 45	B 619 A	AS 3029	C 1101 4 5/8	AS 1200 4 5/8	C 1109 1/2	AS 1450 1/2
A 3174 52 1/2	AS 793 52 1/2	B 620	AS 3033	C 1101 4 7/8	AS 1200 4 7/8	C 1109 1/4	AS 1450 1/4
A 3174 60	AS 793 60	B 620 A	AS 3064	C 1101 5	AS 1200 5	C 1109 3/4	AS 1450 3/4
A 3174 67 1/2	AS 793 67 1/2	B 620 A FL	AS 2064	C 1101 5 1/2	AS 1200 5 1/2	C 1109 3/8	AS 1450 3/8
A 3174 75	AS 793 75	B 620 FL 1	AS 3025	C 1101 5 1/4	AS 1200 5 1/4	C 1109 5/8	AS 1450 5/8
A 3174 82 1/2	AS 793 82 1/2	C 100025	AS 004 ODN	C 1101 5 1/8	AS 1200 5 1/8	C 1109 7/8	AS 1450 7/8
A 318 L	---	C 100037	AS 006 ODN	C 1101 5 3/4	AS 1200 5 3/4	C 401	AS 855
A 318 R	---	C 100050	AS 008 ODN	C 1101 5 3/8	AS 1200 5 3/8	C 402 122	AS 2651 B
A 319 1	AS 633 82 1/2	C 100062	AS 010 ODN	C 1101 5 5/8	AS 1200 5 5/8	C 402 132	AS 2651 A
A 319 2	AS 633 75	C 100075	AS 012 ODN	C 1101 5 7/8	AS 1200 5 7/8	C 403	AS 686
A 319 3	AS 633 67 1/2	C 100087	AS 014 ODN	C 1101 5/8	AS 1200 5/8	C 404	---
A 319 4	AS 633 60	C 100112	AS 018 ODN	C 1101 6	AS 1200 6	C 405 1	FIG. 95
A 319 5	AS 633 52 1/2	C 100137	AS 020 ODN	C 1101 6 1/2	AS 1200 6 1/2	C 405 2	FIG. 95
A 319 6	AS 633 37 1/2	C 100162	AS 026 ODN	C 1101 6 1/4	AS 1200 6 1/4	C 406	AS 685
A 3194 15	AS 781 15	C 100212	AS 034 ODN	C 1101 6 1/8	AS 1200 6 1/8	C 407	AS 684
A 3194 22 1/2	AS 781 22 1/2	C 100262	AS 042 ODN	C 1101 6 3/4	AS 1200 6 3/4	C 408 1/4	AS 907
A 3194 30	AS 781 30	C 100312	AS 050 ODN	C 1101 6 3/8	AS 1200 6 3/8	C 408 3/8	AS 998
A 3194 37 1/2	AS 781 37 1/2	C 100412	AS 066 ODN	C 1101 6 5/8	AS 1200 6 5/8	C 410 4	AS 858 3/8
A 3194 45	AS 781 45	C 200025	AS 009 P	C 1101 6 7/8	AS 1200 6 7/8	C 410 6	AS 858 1/2
A 3194 52 1/2	AS 781 52 1/2	C 200037	AS 011 P	C 1101 7 1/8	AS 1200 7 1/8	C 410 8	AS 858 5/8
A 3194 60	AS 781 60	C 200050	AS 014 P	C 1101 7 3/8	AS 1200 7 3/8	C 411 1	AS 865
A 3194 67 1/2	AS 781 67 1/2	C 200075	AS 017 P	C 1101 7 5/8	AS 1200 7 5/8	C 411 2	AS 865
A 3194 7 1/2	AS 781 7 1/2	C 200100	AS 021 P	C 1101 7 7/8	AS 1200 7 7/8	C 411 3	AS 865
A 3194 75	AS 781 75	C 200125	AS 027 P	C 1101 7/8	AS 1200 7/8	C 412	AS 2654
A 3194 82 1/2	AS 781 82 1/2	C 200150	AS 030 ODP	C 1101 8	AS 1200 8	C 900	AS 707
A 320 1	AS 633 30	C 200200	AS 038 ODP	C 1102 1	AS 1101 1	E 501 1/2	AS 2560
A 320 2	AS 633 22 1/2	C 200250	AS 046 ODP	C 1102 1 1/2	AS 1100 1 1/2	E 501 3/4	AS 2561
A 320 3	AS 633 15	C 200300	AS 056 ODP	C 1102 1 1/4	AS 1100 1 1/4	E 502	---
A 320 4	AS 633 7 1/2	C 200350	AS 064 ODP	C 1102 1/2	AS 1100 1/2	E 503	---
A 321	AS 922	C 200400	AS 072 ODP	C 1102 10	AS 1100 10	E 503 SN	---
A 321 1	AS 2128	C 200500	AS 089 P	C 1102 2	AS 1100 2	E 504 1	AS 2511 1
A 322	AS 611	C 200600	AS 106 P	C 1102 2 1/2	AS 1100 2 1/2	E 504 2	AS 2511 2
A 323	AS 612	C 1100 1	AS 1000 1	C 1102 3	AS 1100 3	E 504 3	AS 2511 3
A 323 22	AS 2601	C 1100 1 1/2	AS 1000 1 1/2	C 1102 3 1/2	AS 1100 3 1/2	E 505	AS 2631
A 323 42	AS 711	C 1100 1 1/4	AS 1000 1 1/4	C 1102 3/4	AS 1100 3/4	E 505 H	AS 2631 D
A 323 62	AS 928	C 1100 1/2	AS 1000 1/2	C 1102 3/8	AS 1100 3/8	E 510 1	---
A 324	---	C 1100 2	AS 1000 2	C 1102 4	AS 1100 4	E 510 2	---
A 326	AS 665	C 1100 3/4	AS 1000 3/4	C 1102 5	AS 1100 5	E 510 3	---
A 326 1	AS 667	C 1100 3/8	---	C 1102 6	AS 1100 6	E 510 4	---
A 327	AS 923	C 1101 1	AS 1200 1	C 1102 8	AS 1100 8	E 510 5	---
A 327 1	AS 913	C 1101 1 1/2	AS 1200 1 1/2	C 1104 1	AS 1300 1	E 513	---
A 328	AS 668	C 1101 1 1/4	AS 1200 1 1/4	C 1104 1 1/2	AS 1300 1 1/2	F 201 1/2	AS 619 1/2
A 328 1	AS 669	C 1101 1 1/8	AS 1200 1 1/8	C 1104 1 1/4	AS 1300 1 1/4	F 201 3/4	AS 619 3/4
A 330	AS 720	C 1101 1 3/4	AS 1200 1 3/4	C 1104 1/2	AS 1300 1/2	F 201 3/8	AS 619 3/8
A 335	AS 3373	C 1101 1 3/8	AS 1200 1 3/8	C 1104 2	AS 1300 2	F 201 5/8	AS 619 5/8
A 336 1	AS 764	C 1101 1 7/8	AS 1200 1 7/8	C 1104 3/4	AS 1300 3/4	F 203	AS 601

* Comparable with some deviation in dimension or configuration.

Haydon Number	Anvil-Strut Number	Haydon Number	Anvil-Strut Number	Haydon Number	Anvil-Strut Number
F 205	AS 888	N 822	AS RS 1/2	---	AS 26075
F 206 2	AS 602	N 824	AS RS 5/8	---	AS 26087
F 207	AS 617	N 825	AS RS 3/4	---	AS 26112
F 210	AS 718	N 828	AS RS 5/16	---	AS 26137
F 211	AS 744	N 829	AS RS 7/8	---	AS 26162
F 213	AS 714	N 830	AS LS 1/4	---	AS 26212
F 216	AS 712	N 831	AS LS 3/8	---	AS 26262
F 217	AS 747	N 832	AS LS 1/2	---	AS 26312
F 218	AS 750	N 834	AS LS 5/8	---	AS 26362
F 219	AS 854	N 835	AS LS 3/4	---	AS 26412
F 220	AS 2112	N 8771	AS 3281	---	AS 28062
H 112	AS 100	T 610	AS 651	---	AS 28087
H 112 A	AS 100 BTB	T 611	AS 809	---	AS 28112
H 112 KO	AS 100 KO	T 612 12	AS 661 T1	---	AS 28137
H 112 OS	AS 100 S	T 612 6	AS 661 T1	---	AS 28162
H 112 OS3	AS 100 EH	T 621 R 14	AS 838	---	AS 28212
H 112 RS	AS 100 H	T 615	AS 708	---	AS 28262
H 122	AS 150	T 620 L 10	AS 838 10 L	---	AS 28312
H 122 A	AS 150 BTB	T 620 L 6	AS 838 6 L	---	AS 28362
H 122 KO	AS 150 KO	T 620 L 8	AS 838 8 L		
H 122 OS	AS 150 S	T 620 R 10	AS 838 10 R		
H 122 OS3	AS 150 EH	T 620 R 6	AS 838 6 R		
H 122 RS	AS 150 H	T 620 R 8	AS 838 8 R		
H 132	AS 200	T 621 L 12	AS 838 12 L		
H 132 A	AS 200 BTB	T 621 L 14	AS 838 14 L		
H 132 KO	AS 200 KO	T 621 L 16	AS 838 16 L		
H 132 OS	AS 200 EH	T 621 L 18	AS 838 18 L		
H 132 OS3	AS 200 S	T 621 L 20	AS 838 20 L		
H 132 RS	AS 200 H	T 621 L 22	AS 838 22 L		
H 134	AS 210	T 621 L 24	AS 838 24 L		
H 134 A	AS 210 BTB	T 621 R 12	AS 838 12 R		
H 134 KO	AS 210 KO	T 621 R 16	AS 838 16 R		
H 134 OS	AS 210 EH	T 621 R 18	AS 838 18 R		
H 134 OS3	AS 210 S	T 621 R 20	AS 838 20 R		
H 134 RS	AS 210 H	T 621 R 22	AS 838 22 R		
H 142	AS 300	T 622 L 26	AS 838 26 L		
H 142 A	AS 300 BTB	T 622 L 28	AS 838 28 L		
H 142 IN	AS 349 Series	T 622 R 24	AS 838 24 R		
H 142 KO	AS 300 KO	T 622 R 26	AS 838 26 R		
H 142 OS	AS 300 EH	TSN 800	AS TG 1/4		
H 142 OS3	AS 300 S	TSN 801	AS TG 3/8		
H 142 RS	AS 300 H	TSN 802	AS TG 1/2		
H 152	AS 400	TSN 808	AS TG 5/16		
H 152 A	AS 400 BTB	---	AS 23025		
H 152 IN	AS 449 Series	---	AS 23037		
H 152 KO	AS 400 KO	---	AS 23050		
H 152 OS	AS 400 EH	---	AS 23062		
H 152 OS3	AS 400 S	---	AS 23075		
H 152 RS	AS 400 H	---	AS 23087		
H 164	AS 500	---	AS 23100		
H 164 A	AS 500 BTB	---	AS 23112		
H 164 KO	AS 500 KO	---	AS 23137		
H 164 OS	AS 500 EH	---	AS 23162		
H 164 OS3	AS 500 S	---	AS 23212		
H 164 RS	AS 500 H	---	AS 24037		
M 605 1 L	AS 825 L	---	AS 24050		
M 605 1 R	AS 825 R	---	AS 24062		
N 1200	---	---	AS 24075		
N 800	AS NS 1/4	---	AS 24087		
N 801	AS NS 3/8	---	AS 24100		
N 802	AS NS 1/2	---	AS 24112		
N 804	AS NS 5/8	---	AS 24137		
N 805	AS NS 3/4	---	AS 24162		
N 808	AS NS 5/16	---	AS 24212		
N 809	AS NS 7/8	---	AS 24262		
N 810	AS SS 1/4	---	AS 24312		
N 811	AS SS 3/8	---	AS 24362		
N 812	AS SS 1/2	---	AS 24412		
N 814	AS SS 5/8	---	AS 26025		
N 818	AS SS 5/16	---	AS 26037		
N 820	AS RS 1/4	---	AS 26050		
N 821	AS RS 3/8	---	AS 26062		

* Comparable with some deviation in dimension or configuration.

B-LINE
ERISTRUT
GLOBE
HAYDON
KINDORF
PHD
POWER-STRUT
SUPERSTRUT
TOLSTRUT
UNISTRUT

Anvil-Strut™ Cross Reference Guide

KINDORF

Kindorf Number	Anvil-Strut Number	Kindorf Number	Anvil-Strut Number	Kindorf Number	Anvil-Strut Number	Kindorf Number	Anvil-Strut Number
500	AS 85 1/4* (15)	B911-1/2	AS RS 1/2	C105-3	AS 1100 3	C210-1/2	FIG. 261
501	---	B911-1/2-SN1	AS 517 1/2X1	C105-3/4	AS 1100 3/4	C210-11/2	FIG. 261
502	AS 85 3/8* (15)	B911-1/2-SN2	AS 517 1/2X11/2	C105-3/8	AS 1100 3/8	C210-11/4	FIG. 261
503	AS 85 1/2* (15)	B911-1/2-TL	AS TG 1/2	C105-31/2	AS 1100 31/2	C210-2	FIG. 261
505	---	B911-1/2-TL-SN1	---	C105-4	AS 1100 4	C210-21/2	FIG. 261
506	---	B911-1/2-TL-SN2	---	C105-41/2	AS 1100 5	C210-3	FIG. 261
507	---	B911-1/4	AS RS 1/4	C105-5	AS 1100 5	C210-3/4	FIG. 261
508	---	B911-1/4-TL	AS TG 1/4	C105-6	AS 1100 6	C210-31/2	FIG. 261
509	---	B911-1/4-TL-SN1	---	C105-8	AS 1100 8	C210-4	FIG. 261
510	AS 135X 1/4(15)	B911-1/4-TL-SN2	---	C105AL-1	---	C210-5	FIG. 261
511	---	B911-3/8	AS RS 3/8	C105AL-1/2	---	C210-6	FIG. 261
6013	---	B911-3/8-SN1	AS 517 3/8X1	C105AL-11/2	---	C247-1/2	---
6014	---	B911-3/8-SN2	AS 517 3/8X1/4	C105AL-11/4	---	C247-3/4	---
6015	---	B911-3/8-TL	AS TG 3/8	C105AL-2	---	C248-1/2	---
6016	---	B911-3/8-TL-SN1	---	C105AL-21/2	---	C248-1/2	---
6017	---	B911-3/8-TL-SN2	---	C105AL-3	---	C248-3/4	---
6018	---	B911-5/16	AS RS 5/16	C105AL-3/4	---	C249-1	---
6019	---	B911-D1/2	AS LS 1/2	C105AL-31/2	---	C249-11/2	---
6024	---	B911-D3/8	AS LS 3/8	C105AL-4	---	C249-11/4	---
6025	---	B912-1/2	AS SS 1/2	C106-1	AS 1100 1	C249-3/4	---
6026	---	B912-1/4	AS SS 1/4	C106-1/2	AS 1100 1/2	C286-1	---
6029	---	B912-3/8	AS SS 3/8	C106-11/2	AS 1100 11/2	C286-1/2	---
6075	---	B912-5/16	AS SS 5/16	C106-11/4	AS 1100 11/4	C286-10	---
6029-H	---	B9141/2	AS 285	C106-2	AS 1100 2	C286-11/2	---
6H0	AS 270 3/8-1/2(14)	B914-1/2P	---	C106-21/2	AS 1100 21/2	C286-11/4	---
6H0-B	AS 270 3/8-1/2	B914-1/4	AS 285	C106-3/4	AS 1100 3/4	C286-12	---
6H1	AS 270 3/4(14)	B914-3/4	AS 285	C106-3/8	AS 1100 3/8	C286-2	---
6H1-B	AS 270 3/4	B914-3/8	AS 285	C107-1/4	AS 1200 1/4	C286-21/2	---
6H2	AS270 1(14)	B914-3/8P	---	C107-25/8	AS 1200 25/8	C286-3	---
6H21/2	AS270 11/4(14)	B914-5/8	AS 285	C107-3/8	AS 1200 3/8	C286-3/4	---
6H21/2-B	AS 270 11/4	B915	AS 2144-3	C107-31/8	AS 1200 31/8	C286-31/2	---
6H2-B	AS 270 1	B916	AS 606*	C107-61/8	AS 1200 61/8	C286-4	---
6H3-B	AS 270 11/4 or 11/2	B917	AS 607*	C108-1	AS 3106	C286-5	---
6H3-SC	AS 270 11/4(14)	B918	AS 3373*	C108-1/2	AS 3104	C286-6	---
6H4	AS 270 11/2(14)	B919	AS 3373*	C108-11/2	AS 3108	C286-8	---
6H4-B	AS 270 11/2	B920	---	C108-11/4	AS 3107	C708	---
6H5	AS 270 2(14)	B921	AS 667*	C108-2	AS 3110	C750-1	---
6H5-B	AS 270 2	B922	AS 821*	C108-3/4	AS 3105	C750-2	---
6H6	AS 270 21/2(14)	B923	AS 670	C144-1	AS 3126 1*	C750-3	---
6H6-B	AS 270 21/2(14)	B924	AS 3033*	C144-1/2	AS 3126 1/2*	C750-4	---
6H7	AS 270 3(14)	B926	AS 611*	C144-11/2	AS 3126 11/2*	C750-5	---
6H7-B	AS 270 3	B927	AS 613*	C144-11/4	AS 3126 11/4*	C750-6	---
6H8	AS 270 31/2(14)	B928	AS 679*	C144-2	AS 3126 2*	C750-7	---
6H8-B	AS 270 31/2(14)	B929	AS 721*	C144-21/2	AS 3126 21/2*	C750-8	---
6H9	AS 270 4(14)	B930	---	C144-3	AS 3126 3*	C750-9	---
6H9-B	AS 270 4(14)	B932	AS 927*	C144-3/4	AS 3126 3/4*	C755-1A	---
B905-M	AS 210 H(2)(5)	B933	AS 615*	C144-31/2	AS 3126 31/2*	C755-1B	---
B900	AS 200(2)	B934	---	C144-4	AS 3126 4*	C755-1C	---
B900-2A	AS 200 BTB(3)	B935	AS 602*	C149-1	FIG. 67	C755-2	---
B900-2B	AS 200 BTS	B936	AS 719*	C149-1/2	FIG. 67	C755-2A	---
B900-2C	AS 200 STSR	B937	AS 714*	C149-11/2	FIG. 67	C755-2B	---
B900-2D	AS 200 STS	B938	AS 633 45*	C149-11/4	FIG. 67	C755-2C	---
B900-3C	---	B939	AS 624 45*	C149-2	FIG. 67	C755-3	---
B900-3D	---	B940-1	AS 926 12*	C149-21/2	FIG. 67	C755-3A	---
B900-AL	AS 200 ALM	B940-2	AS 926 18*	C149-3	FIG. 67	C755-3B	---
B900-M	AS 200(2)	B940-3	AS 926 24*	C149-3/4	FIG. 67	C755-3C	---
B901	AS 200(2)	B941	AS 616*	C149-31/2	FIG. 67	C755-4	---
B902	AS 100H	B942	AS 617*	C149-4	FIG. 67	C755-4A	---
B903	AS 100 H (4) (5)	B943	AS 746*	C149-5	FIG. 67	C755-4B	---
B904	---	B944	AS 822*	C149-6	FIG. 67	C755-4C	---
B905	AS 200 H (2) (5)	B945	---	C149-8	FIG. 67	C755-5	---
B905-AL	AS 200 H ALM	B946	AS 928*	C150-1	FIG. 260	C755-5A	---
B906	AS 500 (6)	B947	AS 712*	C150-1/2	FIG. 260	C755-5B	---
B906-AL	AS 500 ALM	B948	AS 646*	C150-11/2	FIG. 260	C755-5C	---
B907	AS 500H (5) (6)	B995	AS 200 H3(2)	C150-11/4	FIG. 260	C755-6	---
B907-AL	AS 500 H ALM	B995-M	---	C150-2	FIG. 260	C755-6A	---
B909	AS 200 H (2) (5)	C105-1	AS 1100 1	C150-21/2	FIG. 260	C755-6B	---
B900-3A	AS 200 BTBS	C105-1/2	AS 1100 1/2	C150-3	FIG. 260	C755-6C	---
B910-1/2	AS NS 1/2	C105-11/2	AS 1100 11/2	C150-3/4	FIG. 260	C755-7	---
B910-1/4	AS NS 1/4	C105-11/4	AS 1100 11/4	C150-31/2	FIG. 260	C755-7A	---
B910-3/8	AS NS 3/8	C105-2	AS 1100 2	C150-4	FIG. 260	C755-7B	---
B910-5/16	AS NS 5/16	C105-21/2	AS 1100 21/2	C210-1	FIG. 261	C755-7C	---

* Comparable with some deviation in dimension or configuration.

Kindorf Number	Anvil-Strut Number	Kindorf Number	Anvil-Strut Number	Kindorf Number	Anvil-Strut Number	Kindorf Number	Anvil-Strut Number
C755-8	---	F721-30	AS 809-30	G972-L1/2	---	H116-F	---
C755-8A	---	F721-36	AS 809-36	G973-11/2	---	H117-A	AS 209 1/4
C755-8B	---	F735	AS 825 L	G973-21/4	---	H117-B	---
C755-8C	---	F736	AS 825 R	G974-1	---	H117-C	AS 209 3/8
C755-8D	---	F737	AS 826	G974-1/2	---	H117-D	AS 209 1/2
C755-8E	---	F739-101/2	---	G974-11/2	---	H117-E	AS 209 5/8
C755-8F	---	F739-131/2	---	G974-11/4	---	H117-F	AS 209 3/4
C756-1	---	F739-18	---	G974-3/4	---	H118-A	AS 211 1/4
C756-2	---	F739-41/2	---	G975	AS 200 KO6(2)(12)	H118-B	---
D255	FIG. 285	F739-71/2	---	G975-M	AS 210 KO6(2)(12)	H118-C	AS 211 3/8
D256-2	---	G1007	---	G976	AS 2560(13)*	H118-D	AS 211 1/2
D256-5	---	G1012	---	G977	---	H118-E	---
D980	AS 349*(7)	G1012-D	---	G978-A	---	H118-F	---
D982	AS 653(8)	G1013-1/2	---	G978-AL	---	H119-A	AS 619 1/4
D986	AS 449*(9)	G1013-3/8	---	G978-C	---	H119-B	---
D988	AS 654(10)	G1016	---	G978-D	---	H119-C	AS 619 3/8
D990	AS 349(7)	G1017	---	G978-L	---	H119-D	AS 619 1/2
D996	AS 449(9)(12)	G1020	---	G979-1/2	AS 2511 21/2	H119-E	AS 619 5/8
E160-1/2-12	AS 2626 12	G1021	---	G979-3/4	AS 2511 23/4	H119-F	AS 619 3/4
E160-1/2-6	AS 2626 6	G1032	---	H111-A	---	H119-G	AS 619 7/8
E160-1/2-9	AS 2626 9	G1033	---	H111-B	---	H120-1/2	AS 2504 1/2*
E165-1/2-12	---	G1038	---	H111-C	---	H120-3/8	AS 2504 3/8*
E165-1/2-6	---	G1038-A	---	H111-D	---	H134-S	---
E165-1/2-9	---	G1038-B	---	H111-E	---	H193 1/2X10	FIG. 146
E170	---	G1038-C	---	H111-F	---	H193 1/2X12	FIG. 146
E177	---	G1038-CA	---	H111-G	---	H193 1/2X3	FIG. 146
E230-10	AS 2622 J10*(15)	G1038-CX	---	H111-H	---	H193 1/2X6	FIG. 146
E230-6	AS 2622 J6*(15)	G1038-D	---	H113-A	AS 6024 1/2X3/4	H193 1/4X 10	FIG. 146
E231-1/2	AS 2622*(15)	G1038-E	---	H113-B	AS 6024 1/2X1	H193 1/4X 12	FIG. 146
E231-3/8	AS 2622*(15)	G1060	---	H113-BSH	AS 6024 1/2X1	H193 1/4X6	FIG. 146
E232-1/2	AS 2622/AS 2623*(15)	G1500-X	---	H113-C	AS 6024 1/2X11/4	H193 3/8X10	FIG. 146
E232-3/8	AS 2622/AS 2623*(15)	G1501-T	---	H113-D	AS 6024 1/2X11/2	H193 3/8X12	FIG. 146
E233-1/2-10	AS 871 12*	G1502-L	---	H113-E	AS 6024 1/2X13/4	H193 3/8X3	FIG. 146
E233-1/2-6	AS 871 8"	G1503-S	---	H113-F	AS 6024 1/2X2	H193 3/8X6	FIG. 146
E233-3/8-10	AS 871 12*	G1870-X	---	H113-G	---	H193 5/8X10	FIG. 146
E233-3/8-6	AS 871 6	G1871-T	---	H113-H	---	H193 5/8X12	FIG. 146
E234-1/2-10	---	G1872-L	---	H113-I	---	H193 5/8X3	FIG. 146
E234-1/2-6	---	G1873-S	---	H113-J	---	H193 5/8X6	FIG. 146
E234-3/8-10	---	G2000	---	H113-K	---	H193-1/4X3	FIG. 146
E234-3/8-6	---	G2001	---	H113-N	AS 6024 3/8X3/4	H195-1/2	FIG. 135
E237-3/4	FIG. 95	G2002	---	H113-O	AS 6024 3/8X1	H195-1/4	FIG. 135
E237-5/8	FIG. 95	G2003	---	H113-P	AS 6024 3/8X11/4	H195-3/8	FIG. 135
E243-1/2	---	G3000-X	---	H113-Q	AS 6024 3/8X11/2	H195-5/8	FIG. 135
E243-3/8	---	G3001-T	---	H113-R	---	H260-A	---
E244-3/8	---	G3002-L	---	H113-S	AS 6024 3/8X2	H260-B	---
E244-5/8	---	G3003-S	---	H113-T	---	H261-A	AS 203 3/8
E245-3/8	---	G950	---	H113-U	---	H261-B	AS 203 1/2
E760-2	AS 2651 T1(15)	G953	AS 200 S2	H113-V	---	H262-A	---
E760-3	AS 2651 T2(15)	G955	AS 100 KO6 (4)(12)	H113-W	---	H262-B	---
E763	AS 686	G956	AS 500 S(6)	H113-X	---	H271	---
E764	---	G957	AS 902	H113-Y	---	H272-1/2	FIG. 290
E765	---	G958	AS 704	H113-ZA	AS 6024 1/4X3/4	H272-3/8	FIG. 290
E767	AS 907	G959	AS 2511-11/2	H113-ZB	AS 6024 1/4X1	H273-1/2	---
E768	AS 2654	G960	---	H113-ZC	AS 6024 1/4X11/4	H273-3/8	---
E781	AS 2656*	G962-1	---	H113-ZD	AS 6024 1/4X11/2	H286-3/8	FIG. 137
E782	AS 2657*	G962-2	---	H114-A	AS 83 1/4	H550	---
EC-1	---	G962-3	---	H114-B	---	HS100	---
EC-11/2	---	G962-4	---	H114-C	AS 83 3/8	HS101	---
EC-11/4	---	G962-D-1	---	H114-D	AS 83 1/2	HS102	---
EC-2	---	G962-D-2	---	H114-E	AS 83 5/8	HS103	---
EC-21/2	---	G962-D-3	---	H114-F	AS 83 3/4	HS104	---
EC-3	---	G962-D-4	---	H115-A	---	HS105	---
EC-3/4	---	G963-1	---	H115-B	---	HS106	---
F715	AS 708*	G963-2	---	H115-C	---	HS107	---
F716-3	AS 3164*	G965	AS 200 KO(2)(12)	H115-D	---	HS108	---
F720-12	AS 651-12	G966	AS 655*	H115-E	---	HS109	---
F720-18	AS 651-18	G967	AS 655*	H115-F	---	HS110	---
F720-24	AS 651-24	G968	AS 930*	H116-A	AS 6108 1/4	HS400	FIG. 126
F720-6	AS 651-6	G969	AS 707	H116-B	---	HS401	FIG. 126
F720-9	AS 651-9	G972-1/2	---	H116-C	AS 6108 3/8	HS402	FIG. 126
F721-18	AS 809-18	G972-3/4	---	H116-D	AS 6108 1/2	HS403	FIG. 126
F721-24	AS 809-24	G972-HB1/2-3/4	---	H116-E	---	HS404	FIG. 126

* Comparable with some deviation in dimension or configuration.

B-LINE
ERISTRUT
GLOBE
HAYDON
KINDORF
PHD
POWER-STRUT
SUPERSTRUT
TOLSTRUT
UNISTRUT

Anvil-Strut™ Cross Reference Guide

KINDORF

Kindorf Number	Anvil-Strut Number	Kindorf Number	Anvil-Strut Number	Kindorf Number	Anvil-Strut Number
HS405	FIG. 126	PC-1/2	---	---	AS 28262
HS406	FIG. 126	PC-11/2	---	---	AS 28312
HS407	FIG. 126	PC-11/4	---	---	AS 28362
HS408	FIG. 126	PC-2	---		
HS409	FIG. 126	PC-21/2	---		
HS410	FIG. 126	PC-3	---		
HS411	---	PC-3/4	---		
J800-10	---	PC-3/8	---		
J800-12	---	PC-31/2	---		
J800-14	---	PC-4	---		
J800-16	---	RC-1	AS 51 1		
J800-18	---	RC-1/2	AS 51 1/2		
J800-20	---	RC-11/2	AS 51 11/2		
J800-22	---	RC-11/4	AS 51 11/4		
J800-24	---	RC-21/2	AS 51 21/2		
J800-26	---	RC-2-SC	AS 51 2		
J800-28	---	RC-3	AS 51 3		
J800-30	---	RC-3/4	AS 51 3/4		
J800-32	---	RC-3/8	AS 51 3/8		
J800-34	---	RC-31/2	AS 51 31/2		
J800-36	---	RC-4-SC	AS 51 4		
J800-38	---	RCS-1	---		
J800-40	---	RCS-1/2	---		
J800-42	---	RCS-11/2	---		
J800-44	---	RCS-11/4	---		
J800-46	---	RCS-2	---		
J800-48	---	RCS-3/4	---		
J800-50	---	---	AS 23025		
J800-52	---	---	AS 23037		
J800-54	---	---	AS 23050		
J800-56	---	---	AS 23062		
J800-58	---	---	AS 23075		
J800-60	---	---	AS 23087		
J800-62	---	---	AS 23100		
J800-64	---	---	AS 23112		
J800-68	---	---	AS 23137		
J800-72	---	---	AS 23162		
J800-76	---	---	AS 23212		
J800-8	---	---	AS 24037		
J800-80	---	---	AS 24050		
J800-84	---	---	AS 24062		
J844	AS 806*	---	AS 24075		
J850	---	---	AS 24087		
J851	---	---	AS 24100		
J852	---	---	AS 24112		
J855	---	---	AS 24137		
J860-12	---	---	AS 24162		
J860-6	---	---	AS 24212		
J860-9	---	---	AS 24262		
J861-10	---	---	AS 24312		
J861-12	---	---	AS 24362		
J861-14	---	---	AS 24412		
J861-15	---	---	AS 26025		
J861-16	---	---	AS 26037		
J861-18	---	---	AS 26050		
J863-12	---	---	AS 26062		
J863-15	---	---	AS 26075		
J863-18	---	---	AS 26087		
J863-6	---	---	AS 26112		
J863-9	---	---	AS 26137		
J864	---	---	AS 26162		
J865	---	---	AS 26212		
J866	---	---	AS 26262		
J867-1	---	---	AS 26312		
J867-2	---	---	AS 26362		
J867-3	---	---	AS 26412		
J868	---	---	AS 28062		
J869	---	---	AS 28087		
J870-1	---	---	AS 28112		
J870-2	---	---	AS 28137		
J870-3	---	---	AS 28162		
PC-1	---	---	AS 28212		

* Comparable with some deviation in dimension or configuration.

PHD Number	Anvil-Strut Number	PHD Number	Anvil-Strut Number	PHD Number	Anvil-Strut Number	PHD Number	Anvil-Strut Number
1001	AS 200	2310	AS 1200	2507	AS 018 ODN	4500	AS 6151
1021	AS 200 H	2311	AS 1200	2508	AS 022 ODN	5000	AS 619
1011	AS 200 EH	2312	AS 1200	2509	AS 026 ODN	5001	AS 619
1031	AS 200 S	2313	AS 1200	2510	AS 034 OD	5002	AS 619
1041	AS 200 KO	2314	AS 1200	2511	AS 042 OD	5003	AS 619
1001A	AS 200 BTB	2401	AS 1200	2512	AS 050 OD	5004	AS 619
1101	AS 210	2402	AS 1200	2514	AS 066 OD	5005	AS 2504
1121	AS 210 H	2403	AS 1200	2600	Cushion Strip	5006	AS 2504
1111	AS 210 EH	2404	AS 1200	3001	AS NS	5007	AS 2504
1131	AS 210 S	2405	AS 1200	3002	AS NS	5008	AS 2504
1141	AS 210 KO	2406	AS 1200	3003	AS NS	5009	AS 2504
1101A	AS 210 BTB	2407	AS 1200	3004	AS NS	5010	AS 601
1201	AS 520	2408	AS 1200	3005	AS NS	5011	AS 601
1221	AS 520 H	2409	AS 1200	3006	AS NS	5012	AS 601
1211	AS 520 EH	2410	AS 1200	3007	AS NS	5013	AS 603
1231	AS 520 S	2411	AS 1200	3008	AS NS	5014	AS 603
1241	AS 520 KO	2412	AS 1200	3009	AS NS	5015	AS 888
1201A	AS 520 BTB	2413	AS 1200	3010	AS NS	5017	---
1301	AS 500	2414	AS 1200	3011	AS NS	5019	---
1321	AS 500 H	2415	AS 1200	3101	AS RS	5020	AS 617
1311	AS 500 EH	2416	AS 1200	3102	AS RS	5023	AS 3617
1331	AS 500 S	2417	AS 1200	3103	AS RS	5025	AS 718
1341	AS 500 KO	2418	AS 1200	3104	AS RS	5030	AS 719
1301A	AS 500 BTB	2419	AS 1200	3105	AS RS	5035	AS 714
1501	AS 100	2420	AS 1200	3106	AS RS	5040	AS 712
1521	AS 100 H	2421	AS 1200	3107	AS RS	5045	AS 744
1511	AS 100 EH	2422	AS 1200	3108	AS RS	5050	AS 750
1531	AS 100 S	2423	AS 1200	3109	AS RS	5060	AS 2190
1541	AS 100 KO	2424	AS 1200	3110	AS RS	5065	AS 925
1501A	AS 100 BTB	2425	AS 1200	3111	AS RS	5075	AS 747
1601	AS 150	2426	AS 1200	3201	AS SS	5080	AS 854
1621	AS 150 H	2427	AS 1200	3202	AS SS	5085	---
1611	AS 150 EH	2428	AS 1200	3203	AS SS	5090	---
1631	AS 150 S	2429	AS 1200	3204	AS SS	5095	AS 2112
1641	AS 150 KO	2430	AS 1200	3205	AS SS	5101	AS 921
1601A	AS 150 BTB	2431	AS 1200	3206	AS SS	5102	AS 921
2001	AS 1100	2432	AS 1200	3207	AS SS	5103	AS 921
2002	AS 1100	2433	AS 1200	3208	AS SS	5104	AS 921
2003	AS 1100	2434	AS 1200	3209	AS SS	5105	AS 921
2004	AS 1100	2435	AS 1200	3210	AS SS	5106	AS 921
2005	AS 1100	2436	AS 1200	3301	AS LS	5107	AS 921
2006	AS 1100	2437	AS 1200	3302	AS LS	5110	AS 604
2007	AS 1100	2438	AS 1200	3303	AS LS	5112	AS 606
2008	AS 1100	2439	AS 1200	3304	AS LS	5115	AS 2144
2009	AS 1100	2440	AS 1200	3305	AS LS	5116	AS 2144
2010	AS 1100	2441	AS 1200	3306	AS LS	5117	AS 2144
2011	AS 1100	2442	AS 1200	3307	AS LS	5118	AS 2144
2012	AS 1100	2443	AS 1200	3308	AS LS	5119	AS 806
2013	AS 1100	2444	AS 1200	3309	AS LS	5120	---
2014	AS 1100	2445	AS 1200	3310	AS LS	5121	AS 606
2101	AS 1300	2446	AS 1200	3311	AS LS	5122	AS 605
2102	AS 1300	2447	AS 1200	3351	---	5123	AS 745
2103	AS 1300	2448	AS 1200	3352	---	5130	AS 607
2104	AS 1300	2449	AS 1200	3353	---	5131	---
2105	AS 1300	2450	AS 1200	3501	AS 517	5135	---
2106	AS 1300	2451	AS 1200	3502	AS 517	5140	AS 720
2107	AS 1300	2452	AS 1200	3503	AS 517	5145	AS 720
2201	AS 1000	2453	AS 1200	3504	AS 517	5141	AS 720
2202	AS 1000	2454	AS 1200	3505	AS 517	5146	AS 720
2203	AS 1000	2455	AS 1200	3506	AS 517	5148	---
2204	AS 1000	2456	AS 1200	3507	AS 517	5150	AS 715
2205	AS 1000	2457	AS 1200	3508	AS 517	5155	---
2206	AS 1000	2458	AS 1200	3509	AS 517	5156	---
2207	AS 1000	2459	AS 1200	3510	AS 517	5165	AS 3323
2302	AS 1200	2460	AS 1200	3511	AS 517	5170	---
2303	AS 1200	2461	AS 1200	3512	AS 517	5175	---
2304	AS 1200	2501	AS 004 OD	4000	AS 349	5171	---
2305	AS 1200	2502	AS 006 ODN	4200	AS 449	5176	---
2306	AS 1200	2503	AS 008 ODN	4410	AS 655	5180	---
2307	AS 1200	2504	AS 010 ODN	4420	AS 656	5185	AS 748
2308	AS 1200	2505	AS 012 ODN	4440	AS 653	5186	---
2309	AS 1200	2506	AS 014 ODN	4450	AS 654	5190	AS 927

* Comparable with some deviation in dimension or configuration.

B-LINE
ERISTRUT
GLOBE
HAYDON
KINDORF
PHD
POWER-STRUT
SUPERSTRUT
TOLSTRUT
UNISTRUT

Anvil-Strut™ Cross Reference Guide

PHD

PHD Number	Anvil-Strut Number	PHD Number	Anvil-Strut Number	PHD Number	Anvil-Strut Number	PHD Number	Anvil-Strut Number
5200	AS 614	5347	---	5775	---	6202	---
5205	AS 6151	5348	---	5780	---	6204	---
5210	---	5349	---	5801	AS 825	6206	---
5211	---	5350	---	5802	AS 825	6208	---
5220	AS 2520	5501	AS 929	5803	---	6212	---
5221	AS 2545	5503	AS 613	5804	---	6214	---
5225	AS 764	5505	---	5821	---	6216	---
5226	AS 763	5507	AS 679	5825	AS 2401	6218	---
5228	---	5509	AS 678	5826	AS 2402	6222	AS 661 T1
5230	AS 3049	5513	AS 2119	5827	AS 2403	6224	AS 661 T1
5250	AS 689-A	5517	---	5830	AS 2404	6232	AS 661 T2
5255	AS 689-B	5521	AS 721	5831	AS 2405	6234	AS 661 T2
5260	---	5530	AS 687	5832	AS 2406	6246	---
5270	AS 603	5531	AS 687	5833	AS 2407	6248	---
5301	AS 633	5532	AS 687	5834	AS 2408	6305	AS 708
5302	AS 633	5541	---	5835	---	6310	AS 3164
5303	AS 633	5542	---	5836	---	7011	AS 907-1/4"
5304	AS 633	5543	---	5837	---	7012	AS 998-3/8"
5305	AS 633	5550	---	5840	AS 2528	7020	AS 684
5306	AS 633	5551	AS 928	5845	AS 2528-1	7025	AS 684
5307	AS 633	5552	---	5860	AS 2421	7030	AS 685
5308	AS 633	5553	AS 2601	5861	AS 2422	7040	AS 686
5309	AS 633	5554	AS 611	5870	AS 2522	7050	---
5310	AS 633	5556	AS 609	5875	AS 2521	7051	---
5311	AS 633	5558	AS 3060	6005	AS 3013	7060	AS 855
5312	AS 633	5560	AS 3060	6010	AS 3013-SQ	7070	AS 2651 T1
5313	AS 633	5561	AS 3060	6015	---	7075	AS 2651 T2
5314	AS 633	5562	AS 3060	6020	AS 3033	7231	AS 1450
5315	AS 633	5565	---	6025	AS 3033-SQ	7232	AS 1450
5340	AS 781	5570	AS 3060	6030	AS 3025-FL	7233	AS 1450
5341	AS 781	5571	AS 3060	6035	AS 3029	7234	AS 1450
5342	AS 781	5572	AS 3060	6040	AS 3029-SQ	7235	AS 1450
5343	AS 781	5573	AS 3060	6045	---	7236	AS 1450
5344	AS 781	5574	AS 3060	6050	AS 3064	7237	AS 1450
5345	AS 781	5575	---	6060	AS 3064-SQ	7238	AS 1450
5346	AS 781	5580	---	6065	AS 3064-FL	7370	---
5347	AS 781	5581	---	6080	---	7251	AS 3126
5348	AS 781	5582	---	6095	AS 3040	7252	AS 3126
5349	AS 781	5583	---	6101	AS 732	7253	AS 3126
5350	AS 781	5590	---	6102	AS 732	7254	AS 3126
5360	AS 624	5600	AS 922	6121	AS 732	7255	AS 3126
5361	AS 624	5601	AS 922	6122	AS 732	7256	AS 3126
5362	AS 624	5605	---	6123	AS 732	7257	AS 3126
5363	AS 624	5606	---	6124	AS 732	7258	AS 3126
5364	AS 624	5610	AS 2128	6125	AS 732	7259	AS 3126
5365	AS 624	5611	AS 2128	6130	AS 651	7260	AS 3126
5366	AS 624	5620	AS 665	6131	AS 651	7261	AS 3126
5370	AS 793	5625	AS 666	6132	AS 651	7262	AS 3126
5371	AS 793	5630	AS 667	6133	AS 651	7263	AS 3126
5372	AS 793	5635	AS 923	6134	AS 651	7400	AS 1901
5373	AS 793	5640	AS 821	6135	AS 651	7501	AS 1911
5374	AS 793	5645	AS 913	6140	AS 809	7502	AS 1911
5375	AS 793	5650	AS 668	6141	AS 809	7503	AS 1911
5376	AS 793	5655	AS 669	6142	AS 809	7504	AS 1911
5410	AS 926	5660	---	6143	AS 809	7505	AS 1911
5411	AS 926	5665	---	6144	AS 809	7506	AS 1911
5412	AS 926	5675	---	6150	---	7530	AS 815
5420	---	5685	---	6151	---	7560	---
5421	---	5705	AS 644	6152	---	7581	AS 1902
5422	---	5710	AS 645	6160	AS 838	7582	AS 1902
5423	---	5715	AS 646	6161	AS 838	7583	AS 1902
5424	---	5720	AS 631	6162	AS 838	7584	AS 1902
5425	---	5730	AS 616	6163	AS 838	7585	AS 1902
5426	---	5750	---	6164	AS 838	---	AS 23025
5427	---	5751	---	6165	AS 838	---	AS 23037
5340	---	5752	---	6166	AS 838	---	AS 23050
5341	---	5760	AS 993	6167	AS 838	---	AS 23062
5342	---	5761	AS 993	6168	AS 838	---	AS 23075
5343	---	5762	AS 993	6169	AS 838	---	AS 23087
5344	---	5763	AS 993	6170	AS 838	---	AS 23100
5345	---	5764	AS 993	6171	AS 838	---	AS 23112
5346	---	5770	---	6172	AS 838	---	AS 23137

* Comparable with some deviation in dimension or configuration.

PHD Number	Anvil-Strut Number
---	AS 23162
---	AS 23212
---	AS 24037
---	AS 24050
---	AS 24062
---	AS 24075
---	AS 24087
---	AS 24100
---	AS 24112
---	AS 24137
---	AS 24162
---	AS 24212
---	AS 24262
---	AS 24312
---	AS 24362
---	AS 24412
---	AS 26025
---	AS 26037
---	AS 26050
---	AS 26062
---	AS 26075
---	AS 26087
---	AS 26112
---	AS 26137
---	AS 26162
---	AS 26212
---	AS 26262
---	AS 26312
---	AS 26362
---	AS 26412
---	AS 28062
---	AS 28087
---	AS 28112
---	AS 28137
---	AS 28162
---	AS 28212
---	AS 28262
---	AS 28312
---	AS 28362

B-LINE

ERISTRUT

GLOBE

HAYDON

KINDORF

PHD

POWER-STRUT

SUPERSTRUT

TOLSTRUT

UNISTRUT

* Comparable with some deviation in dimension or configuration.

Anvil-Strut™ Cross Reference Guide

POWER-STRUT

Power-Strut Number	Anvil-Strut Number	Power-Strut Number	Anvil-Strut Number	Power-Strut Number	Anvil-Strut Number	Power-Strut Number	Anvil-Strut Number
PA 158	---	PS 1200 3/4	AS 1200 3/4	PS 200 2T5	AS 200 STS	PS 2401	AS 2401
PA 238	---	PS 1200 3/8	AS 1200 3/8	PS 200 3T6	AS 200 BTBS	PS 2402	AS 2402
PA 318	---	PS 1200 4 1/4	AS 1200 4 1/4	PS 200 ALM	AS 200 ALM	PS 2403	AS 2403
PA 1GP	---	PS 1200 4 1/8	AS 1200 4 1/8	PS 200 EH	AS 200 EH	PS 2404	AS 2404
PA 1HDC	---	PS 1200 4 3/4	AS 1200 4 3/4	PS 200 EH 2T3	AS 200 EH BTB	PS 2405	AS 2405
PA 1RC	---	PS 1200 4 3/8	AS 1200 4 3/8	PS 200 H	AS 200 H	PS 2406	AS 2406
PA 1RP	---	PS 1200 4 5/8	AS 1200 4 5/8	PS 200 H3	AS 200 H3	PS 2407	AS 2407
PA 1SC	---	PS 1200 4 7/8	AS 1200 4 7/8	PS 200 KO6	AS 200 KO	PS 2408	AS 2408
PA 1SNB	---	PS 1200 5	AS 1200 5	PS 200 PLA	---	PS 2421	AS 2421
PS 51	AS 51	PS 1200 5 1/2	AS 1200 5 1/2	PS 200 PLB	---	PS 2422	AS 2422
PS 52 E	---	PS 1200 5 1/4	AS 1200 5 1/4	PS 200 PLC	AS 200 BTB F3	PS 2504 1/2	AS 2504 1/2
PS 67	FIG. 67	PS 1200 5 1/8	AS 1200 5 1/8	PS 200 S	AS 200 S	PS 2504 1/4	AS 2504 1/4
PS 69	FIG. 69	PS 1200 5 3/4	AS 1200 5 3/4	PS 200 SB	---	PS 2504 3/8	AS 2504 3/8
PS 85	AS 85	PS 1200 5 3/8	AS 1200 5 3/8	PS 202	---	PS 2511 11/2	AS 2511 11/2
PS 86	FIG. 86	PS 1200 5 5/8	AS 1200 5 5/8	PS 203	AS 203	PS 2511 13/4	AS 2511 13/4
PS 93	FIG. 93	PS 1200 5 7/8	AS 1200 5 7/8	PS 204	---	PS 2511 21/2	AS 2511 21/2
PS 94	FIG. 94	PS 1200 5/8	AS 1200 5/8	PS 205	---	PS 2511 23/4	AS 2511 23/4
PS 95	FIG. 95	PS 1200 6	AS 1200 6	PS 209	AS 209	PS 2511 31/2	AS 2511 31/2
PS 100	AS 100	PS 1200 6 1/2	AS 1200 6 1/2	PS 207 L*	---	PS 2514	---
PS 100 2T3	AS 100 BTB	PS 1200 6 1/4	AS 1200 6 1/4	PS 207 R*	---	PS 2520	AS 2520
PS 100 EH	AS 100 EH	PS 1200 6 1/8	AS 1200 6 1/8	PS 2008	---	PS 2521	AS 2521
PS 100 H	AS 100 H	PS 1200 6 3/4	AS 1200 6 3/4	PS 2010	---	PS 2522	AS 2522
PS 100 KO6	AS 100 KO	PS 1200 6 3/8	AS 1200 6 3/8	PS 2011*	---	PS 2524	AS 2524
PS 100 S	AS 100 S	PS 1200 6 7/8	AS 1200 6 7/8	PS 2013	---	PS 2525	AS 2525
PS 135	FIG. 135	PS 1200 7	AS 1200 7	PS 2014	---	PS 2528	AS 2528
PS 135 X	AS 135 X	PS 1200 7 1/8	AS 1200 7 1/8	PS 2015	---	PS 2528 1	AS 2528 1
PS 146	FIG. 146	PS 1200 7 3/4	AS 1200 7 3/4	PS 2016	---	PS 2532	AS 2532
PS 1000 1	AS 1000 1	PS 1200 7 3/8	AS 1200 7 3/8	PS 2017	---	PS 2545	AS 2545
PS 1000 1 1/2	AS 1000 1 1/2	PS 1200 7 5/8	AS 1200 7 5/8	PS 2018	---	PS 2560 1/2*	AS 2560 1/2*
PS 1000 1 1/4	AS 1000 1 1/4	PS 1200 7 7/8	AS 1200 7 7/8	PS 2019	---	PS 2561 13/4*	AS 2561 13/4*
PS 1000 1/2	AS 1000 1/2	PS 1200 7/8	AS 1200 7/8	PS 2023 R&L	---	PS 2580	AS 2580
PS 1000 2	AS 1000 2	PS 1200 7 1/4	AS 1200 7 1/4	PS 2024	---	PS 2581	AS 2511
PS 1000 3/4	AS 1000 3/4	PS 1200 8	AS 1200 8	PS 2025	---	PS 2582	---
PS 1004	---	PS 1200 8 1/2	AS 1200 8 1/2	PS 2026	---	PS 2585	---
PS 1100 1 1/2	AS 1100 1 1/2	PS 1200 8 1/4	AS 1200 8 1/4	PS 2029	---	PS 2601	AS 2601
PS 1100 1 1/4	AS 1100 1 1/4	PS 1200 8 1/8	AS 1200 8 1/8	PS 2033	---	PS 2622*	AS 2622*
PS 1100 1/2	AS 1100 1/2	PS 1200 8 3/8	AS 1200 8 3/8	PS 2034	---	PS 2623*	AS 2623*
PS 1100 2	AS 1100 2	PS 1300 1	AS 1300 1	PS 2037	---	PS 2625	---
PS 1100 2 1/2	AS 1100 2 1/2	PS 1300 1 1/2	AS 1300 1 1/2	PS 2041	---	PS 2626	AS 2626
PS 1100 3	AS 1100 3	PS 1300 1 1/4	AS 1300 1 1/4	PS 2054*	AS 2054*	PS 2626 12	AS 2626 12
PS 1100 3/4	AS 1100 3/4	PS 1300 1/2	AS 1300 1/2	PS 2064	AS 2064	PS 2626 6	AS 2626 6
PS 1100 3/8	AS 1100 3/8	PS 1300 2	AS 1300 2	PS 2094	---	PS 2626 9	AS 2626 9
PS 1100 31/2	AS 1100 31/2	PS 1300 3/4	AS 1300 3/4	PS 209 1/2	AS 209 1/2	PS 2627	AS 2627
PS 1100 4	AS 1100 4	PS 1450 1	AS 1450 1	PS 209 1/4	AS 209 1/4	PS 2631	AS 2631
PS 1100 5	AS 1100 5	PS 1450 1/2	AS 1450 1/2	PS 209 3/4	AS 209 3/4	PS 2631 D	AS 2631 D
PS 1100 6	AS 1100 6	PS 1450 1/4	AS 1450 1/4	PS 209 3/8	AS 209 3/8	PS 2632	AS 2631
PS 1100 8	AS 1100 8	PS 1450 3/4	AS 1450 3/4	PS 209 5/8	AS 209 5/8	PS 2632 D	AS 2631 D
PS 1101 1	AS 1101 1	PS 1450 3/8	AS 1450 3/8	PS 209 5/16	---	PS 2636	---
PS 1116	---	PS 1450 5/8	AS 1450 5/8	PS 210	AS 210	PS 2637	---
PS 1117	---	PS 1450 7/8	AS 1450 7/8	PS 210 2T2	AS 210 STSR	PS 2639	---
PS 1154	---	PS 150	AS 150	PS 210 2T3	AS 210 BTB	PS 2640	---
PS 1200 1	AS 1200 1	PS 150 2T3	AS 150 BTB	PS 210 2T4	AS 210 BTS	PS 2648	AS 2648
PS 1200 1 1/2	AS 1200 1 1/2	PS 150 S	AS 150 S	PS 210 2T5	AS 210 STS	PS 2651 T1	AS 2651 T1
PS 1200 1 1/4	AS 1200 1 1/4	PS 150 EH	AS 150 EH	PS 210 EH	AS 210 EH	PS 2651 T2	AS 2651 T2
PS 1200 1 1/8	AS 1200 1 1/8	PS 150 H	AS 150 H	PS 210 H	AS 210 H	PS 2653	AS 2653
PS 1200 1 3/8	AS 1200 1 3/8	PS 150 KO6	AS 150 KO	PS 210 KO6	AS 210 KO	PS 2654	AS 2654
PS 1200 1 7/8	AS 1200 1 7/8	PS 1500 3	---	PS 210 S	AS 210 S	PS 2654 A	AS 2654 A
PS 1200 1/2	AS 1200 1/2	PS 1500 41/2	---	PS 210 SS	AS 210 SS	PS 2656 T1 21/2 6	AS 2656 T1 21/2 6
PS 1200 1/4	AS 1200 1/4	PS 1510	---	PS 211	AS 211	PS 2656 T2 21/2 6	AS 2656 T2 21/2 6
PS 1200 2	AS 1200 2	PS 1610	---	PS 230	AS 230	PS 2657 T1 21/2 6	AS 2657 T1 21/2 6
PS 1200 2 1/2	AS 1200 2 1/2	PS 1801	---	PS 270	AS 270	PS 2657 T2 21/2 6	AS 2657 T2 21/2 6
PS 1200 2 1/4	AS 1200 2 1/4	PS 1850	---	PS 285	FIG. 285	PS 2660	---
PS 1200 2 1/8	AS 1200 2 1/8	PS 1901	AS 1901	PS 2112	AS 2112	PS 2661	---
PS 1200 2 3/4	AS 1200 2 3/4	PS 1902 21/2	AS 1902 21/2	PS 2113	---	PS 2662 A	---
PS 1200 2 5/8	AS 1200 2 5/8	PS 1902 4	AS 1902 4	PS 2117 RL	---	PS 2800	---
PS 1200 3	AS 1200 3	PS 1902 8	AS 1902 8	PS 2119	AS 2119	PS 2801	---
PS 1200 3 1/4	AS 1200 3 1/4	PS 1911	AS 1911	PS 2128 RL	AS 2128 R L*	PS 2802	---
PS 1200 3 1/8	AS 1200 3 1/8	PS 200	AS 200	PS 2129 RL	---	PS 2803	---
PS 1200 3 3/4	AS 1200 3 3/4	PS 200 2T2	AS 200 STSR	PS 2144 3	AS 2144 3	PS 285 N	FIG. 285 NUT
PS 1200 3 3/8	AS 1200 3 3/8	PS 200 2T3	AS 200 BTB	PS 2144 31/2	AS 2144 31/2	PS 300	AS 300
PS 1200 3 5/8	AS 1200 3 5/8	PS 200 2T3 ALM	AS 200 BTB ALM	PS 2144 4	AS 2144 4	PS 300 2T3	AS 300 BTB
PS 1200 3 7/8	AS 1200 3 7/8	PS 200 2T4	AS 200 BTS	PS 2190	AS 2190	PS 300 EH	AS 300 EH

* Comparable with some deviation in dimension or configuration.

Power-Strut Number	Anvil-Strut Number	Power-Strut Number	Anvil-Strut Number	Power-Strut Number	Anvil-Strut Number	Power-Strut Number	Anvil-Strut Number
PS 300 H	AS 300 H	PS 349 18'	AS 349 18'	PS 6024 3/8 X 2	AS 6024 3/8 X 2	PS 661 T2 12	AS 661 T2 12
PS 300 KO6	AS 300 KO	PS 349 2' 0"	AS 349 2' 0"	PS 6024 3/8 X 2 1/4	AS 6024 3/8X2 1/4	PS 661 T2 18	AS 661 T2 18
PS 300 S	AS 300 S	PS 349 2' 8"	AS 349 2' 8"	PS 6024 3/8X3/4	AS 6024 3/8X3/4	PS 661 T2 24	AS 661 T2 24
PS 3013	AS 3013	PS 349 20'	AS 349 20'	PS 6064	---	PS 661 T2 6	AS 661 T2 6
PS 3013 SQ	AS 3013 SQ	PS 349 3' 0"	AS 349 3' 0"	PS 6072	AS 6072	PS 665	AS 665
PS 3017	---	PS 349 3' 4"	AS 349 3' 4"	PS 6075	AS 6075	PS 666	AS 666
PS 3025	AS 3025	PS 349 3"	AS 349 3"	PS 603	AS 603	PS 667	AS 667
PS 3025 FL	AS 3025 FL	PS 349 4' 0"	AS 349 4' 0"	PS 604	AS 604	PS 668	AS 668
PS 3029	AS 3029	PS 349 4"	AS 349 4"	PS 605	AS 605	PS 669	AS 669
PS 3033	AS 3033	PS 349 5'	AS 349 5'	PS 606	AS 606	PS 670	AS 669
PS 3033 SQ	AS 33033 SQ	PS 349 6'	AS 349 6'	PS 607	AS 607	PS 671	---
PS 3040	AS 3040	PS 349 6"	AS 349 6"	PS 609	AS 609	PS 677	AS 677*
PS 3041	---	PS 349 7'	AS 349 7'	PS 6108	AS 6108	PS 678	AS 678
PS 3049	AS 3049	PS 349 8'	AS 349 8'	PS 611	AS 611	PS 679	AS 679
PS 3060 4	AS 3060 4	PS 349 8"	AS 349 8"	PS 612	AS 612	PS 680	AS 680
PS 3060 5	AS 3060 5	PS 349 9'	AS 349 9'	PS 613	AS 613	PS 684	AS 684
PS 3060 6	AS 3060 6	PS 3500	AS 3500	PS 614	AS 614	PS 685	AS 685
PS 3060 7	AS 3060 7	PS 3792	AS 3792	PS 615	AS 615	PS 686	AS 686
PS 3060 8	AS 3060 8	PS 400	AS 400	PS 6151	AS 6151	PS 687 A	AS 687 A
PS 3064	AS 3064	PS 400 2T3	AS 400 BTB	PS 6152	AS 6152	PS 687 B	AS 687 B
PS 3101	AS 3101	PS 400 EH	AS 400 EH	PS 6153 1	AS 6153 1	PS 687 C	AS 687 C
PS 3102	AS 3102	PS 400 H	AS 400 H	PS 6153 2	AS 6153 2	PS 689 A	AS 689 A
PS 3103	AS 3103	PS 400 KO6	AS 400 KO	PS 616	AS 616	PS 689 B	AS 689 B
PS 3104	AS 3104	PS 400 S	AS 400 S	PS 617	AS 617	PS 692	---
PS 3105	AS 3105	PS 4017	---	PS 618	AS 618	PS 693	---
PS 3106	AS 3106	PS 449	AS 449	PS 619 1/2	AS 619 1/2	PS 694	---
PS 3107	AS 3107	PS 3792	AS 3792	PS 619 3/4	AS 619 3/4	PS 700 J ALM	---
PS 3108	AS 3108	PS 500	AS 500	PS 619 3/8	AS 619 3/8	PS 702	---
PS 3109	AS 3109	PS 500 2T3	AS 500 BTB	PS 619 5/8	AS 619 5/8	PS 702 D	---
PS 3110	AS 3110	PS 500 EH	AS 500 EH	PS 619 7/8	AS 619 7/8	PS 703	---
PS 3111	AS 3111	PS 500 H	AS 500 H	PS 620	AS 620	PS 703 D	---
PS 3112	AS 3112	PS 500 KO6	AS 500 KO	PS 621	---	PS 704	---
PS 3113	AS 3113	PS 500 S	AS 500 S	PS 622	---	PS 707	AS 707
PS 3114	AS 3114	PS 517 1/2X11/2*	AS 517 1/2X11/2*	PS 624	AS 624	PS 707 P	AS 707 P
PS 3115	AS 3115	PS 517 1/2X11/2*	AS 517 1/2X11/2*	PS 624 37 1/2	AS 624 37 1/2	PS 707 ALM	---
PS 3126 1	AS 3126 1	PS 517 1/2X11/4*	AS 517 1/2X11/4*	PS 624 52 1/2	AS 624 52 1/2	PS 708	AS 708
PS 3126 1 1/2	AS 3126 1 1/2	PS 517 1/2X2*	AS 517 1/2X2*	PS 624 60	AS 624 60	PS 709	---
PS 3126 1 1/4	AS 3126 1 1/4	PS 517 1/2X2*	AS 517 1/2X2*	PS 624 67 1/2	AS 624 67 1/2	PS 710	AS 710
PS 3126 1/2	AS 3126 1/2	PS 517 1/4X1*	AS 517 1/4X1*	PS 624 75	AS 624 75	PS 711	AS 711
PS 3126 2	AS 3126 2	PS 517 1/4X1*	AS 517 1/4X1*	PS 624 82 1/2	AS 624 82 1/2	PS 712	AS 712
PS 3126 2 1/2	AS 3126 2 1/2	PS 517 1/4X1/4*	AS 517 1/4X1/4*	PS 626	---	PS 713	AS 713
PS 3126 3	AS 3126 3	PS 517 1/4X11/2*	AS 517 1/4X11/2*	PS 629	AS 629	PS 714	AS 714
PS 3126 3 1/2	AS 3126 3 1/2	PS 517 3/8X 2*	AS 517 3/8X 2*	PS 631	AS 631	PS 715	AS 715
PS 3126 3/4	AS 3126 3/4	PS 517 3/8X 2*	AS 517 3/8X 2*	PS 633 15	AS 633 15	PS 716 L	---
PS 3126 4	AS 3126 4	PS 517 3/8X11/2*	AS 517 3/8X11/2*	PS 633 22 1/2	AS 633 22 1/2	PS 716 R	---
PS 3126 5	AS 3126 5	PS 517 3/8X11/2*	AS 517 3/8X11/2*	PS 633 30	AS 633 30	PS 718	AS 718
PS 3126 6	AS 3126 6	PS 517 3/8X11/4*	AS 517 3/8X11/4*	PS 633 37 1/2	AS 633 37 1/2	PS 719	AS 719
PS 3138 1	AS 3138 1	PS 5171/2X1*	AS 5171/2X1*	PS 633 45	AS 633 45	PS 720 L	AS 720 L
PS 3138 1 1/2	AS 3138 1 1/2	PS 520 2T3(7)	AS 520BTB	PS 633 45	AS 633 45	PS 720 R	AS 720 R
PS 3138 1 1/4	AS 3138 1 1/4	PS 520 EH(1)(6)	AS 520 EH	PS 633 52 1/2	AS 633 52 1/2	PS 721	AS 721
PS 3138 1/2	AS 3138 1/2	PS 520 H(6)	AS 520 H	PS 633 60	AS 633 60	PS 721 L	AS 721 L
PS 3138 2	AS 3138 2	PS 520(6)	AS 520	PS 633 67 1/2	AS 633 67 1/2	PS 722	---
PS 3138 2 1/2	AS 3138 2 1/2	PS 520 S	AS 520 S	PS 633 7 1/2	AS 633 7 1/2	PS 723	---
PS 3138 3	AS 3138 3	PS 560	AS 560	PS 633 75	AS 633 75	PS 732 10	AS 732 10
PS 3138 3 1/2	AS 3138 3 1/2	PS 560 2T3	AS 560 BTB	PS 633 82 1/2	AS 633 82 1/2	PS 732 12	AS 732 12
PS 3138 3/4	AS 3138 3/4	PS 560 H	AS 560 H	PS 644	AS 644	PS 732 14	AS 732 14
PS 3138 3/8	AS 3138 3/8	PS 560 S	AS 560 S	PS 645	AS 645	PS 732 16	AS 732 16
PS 3138 4	AS 3138 4	PS 560 EH	AS 560 EH	PS 646	AS 646	PS 732 8	AS 732 8
PS 3164	AS 3164	PS 600 J	---	PS 647	AS 611	PS 733	AS 733
PS 3201	---	PS 601	AS 601	PS 649	---	PS 734	---
PS 3281	AS 3281	PS 602	AS 602	PS 651	AS 651	PS 735	AS 735
PS 3282	---	PS 6024 1/2 X 11/2	AS 6024 1/2 X 11/2	PS 653	AS 653	PS 736	---
PS 3301	---	PS 6024 1/2X1*	AS 6024 1/2X1*	PS 654	AS 654	PS 744	AS 744
PS 3326 RL	---	PS 6024 1/2X11/4*	AS 6024 1/2X11/4*	PS 655	AS 655	PS 745	AS 745
PS 3373	AS 3373	PS 6024 1/2X13/4	AS 6024 1/2X13/4	PS 656	AS 656	PS 746	---
PS 349 1' 0"	AS 349 1' 0"	PS 6024 1/2X21/2	AS 6024 1/2X21/2	PS 658	---	PS 747	AS 747
PS 349 1' 4"	AS 349 1' 4"	PS 6024 1/2X21/4	AS 6024 1/2X21/4	PS 659	---	PS 748	AS 748
PS 349 1' 8"	AS 349 1' 8"	PS 6024 1/4X11/2	AS 6024 1/4X11/2	PS 660	AS 660	PS 750	AS 750
PS 349 10'	AS 349 10'	PS 6024 1/4X3/4	AS 6024 1/4X3/4	PS 661 T1 12	AS 661 T1 12	PS 752 L	---
PS 349 12'	AS 349 12'	PS 6024 3/8 X 1	AS 6024 3/8 X 1	PS 661 T1 18	AS 661 T1 18	PS 752 R	---
PS 349 14'	AS 349 14'	PS 6024 3/8 X 11/2	AS 6024 3/8 X 11/2	PS 661 T1 24	AS 661 T1 24	PS 756	---
PS 349 16'	AS 349 16'	PS 6024 3/8 X 11/4	AS 6024 3/8 X 11/4	PS 661 T1 6	AS 661 T1 6	PS 760	---

* Comparable with some deviation in dimension or configuration.

B-LINE
ERISTRUT
GLOBE
HAYDON
KINDORF
PHD
POWER-STRUT
SUPERSTRUT
TOLSTRUT
UNISTRUT

Anvil-Strut™ Cross Reference Guide

POWER-STRUT

Power-Strut Number	Anvil-Strut Number	Power-Strut Number	Anvil-Strut Number	Power-Strut Number	Anvil-Strut Number	Power-Strut Number	Anvil-Strut Number
PS 763	AS 763	PS 923	AS 923 R L*	PS 034M	---	---	AS 28112
PS 764	AS 764	PS 925	AS 925	PS 038M	---	---	AS 28137
PS 781	AS 781	PS 926	AS 926	PS 004T	AS 004 OD	---	AS 28162
PS 791	---	PS 927	AS 927	PS 006T	AS 006 ODN	---	AS 28212
PS 793	AS 793	PS 928	AS 928	PS 008T	AS 008 ODN	---	AS 28262
PS 803	---	PS 929	AS 929	PS 010T	AS 010 ODN	---	AS 28312
PS 804	---	PS 930	AS 930	PS 012T	AS 012 ODN	---	AS 28362
PS 805	---	PS 9400	AS 9400	PS 014T	AS 014 ODN		
PS 806	AS 806	PS 9401	AS 9401	PS 016T	AS 016 ODN		
PS 807	---	PS 9402	AS 9402	PS 018T	AS 018 ODN		
PS 808	---	PS 9403	AS 9403	PS 020T	AS 020 OD		
PS 809 12	AS 809 12	PS 9404	AS 9404	PS 022T	AS 022 ODN		
PS 809 18	AS 809 18	PS 942	---	PS 024N	AS 024 OD		
PS 809 24	AS 809 24	PS 943	---	PS 026N	AS 026 ODN		
PS 809 30	AS 809 30	PS 945	AS 945	PS 028N	AS 028 OD		
PS 809 36	AS 809 36	PS 978	AS 978	PS 030N	AS 030 ODP		
PS 810	---	PS 993	AS 993	PS 032N	AS 032 OD		
PS 812	---	PS 998	AS 998	PS 034N	AS 034 OD		
PS 815	AS 815	PS RS 10-24	AS RS 10-24	PS 038N	AS 038 ODP		
PS 816	AS 816	PS RS 8-32	AS RS 8-32	PS 040N	AS 040 OD		
PS 821	PS 821*	PS TG 1/4*	AS TG 1/4*	PS 042N	AS 042 OD		
PS 822	---	PS LS 1/2	AS LS 1/2	PS 046N	AS 046 ODP		
PS 825 L	AS 825 L	PS LS 1/4	AS LS 1/4	PS 048N	AS 048 OD		
PS 825 R	AS 825 R	PS LS 3/8	AS LS 3/8	PS 050N	AS 050 OD		
PS 826	AS 926	PS NS 1/2	AS NS 1/2	PS 056N	AS 056 ODP		
PS 83 1/2	AS 83 1/2	PS NS 1/4	AS NS 1/4	PS 058N	AS 058 OD		
PS 83 1/4	AS 83 1/4	PS NS 10-24	AS NS 10-24	PS 064N	AS 064 ODP		
PS 83 3/8	AS 83 3/8	PS NS 3/4	AS NS 3/4*	PS 066N	AS 066 OD		
PS 83 5/16	AS 83 5/16	PS NS 3/8	AS NS 3/8	PS 072N	AS 072 ODN		
PS 83 5/8	AS 83 5/8	PS NS 5/16	AS NS 5/16	PS 082N	AS 082 OD		
PS 838 RL 10	AS 838 RL 10	PS NS 5/8	AS NS 5/8*	PS 098N	AS 098 OD		
PS 838 RL 12	AS 838 RL 12	PS NS 7/8	AS NS 7/8*	---	AS 23025		
PS 838 RL 14	AS 838 RL 14	PS NS S 1/2	AS NS S 1/2	---	AS 23037		
PS 838 RL 16	AS 838 RL 16	PS NS S 3/4	AS NS S 3/4	---	AS 23050		
PS 838 RL 18	AS 838 RL 18	PS NS S 5/8	AS NS S 5/8	---	AS 23062		
PS 838 RL 20	AS 838 RL 20	PS RS 1/2	AS RS 1/2	---	AS 23075		
PS 838 RL 6	AS 838 RL 6	PS RS 1/2 SS	AS RS SS 1/2	---	AS 23087		
PS 838 RL 8	AS 838 RL 8	PS RS 1/4	AS RS 1/4	---	AS 23100		
PS 838 RL 22	AS 838 RL 22	PS RS 3/4	AS RS 3/4*	---	AS 23112		
PS 838 RL 24	AS 838 RL 24	PS RS 3/8	AS RS 3/8	---	AS 23137		
PS 838 RL 26	AS 838 RL 26	PS RS 5/16	AS RS 5/16	---	AS 23162		
PS 838 RL 28	AS 838 RL 28	PS RS 5/8	AS RS 5/8*	---	AS 23212		
PS 838 RL 30	AS 838 RL 30	PS RS 7/8	AS RS 7/8*	---	AS 24037		
PS 854	AS 854	PS SS 1/2	AS SS 1/2	---	AS 24050		
PS 855 1	AS 855 1	PS SS 1/2 SS	AS SS SS 1/2	---	AS 24062		
PS 858 3/8	AS 856 3/8	PS SS 1/4	AS SS 1/4	---	AS 24075		
PS 858 1/2	AS 858 1/2	PS SS 10-24	AS SS 10-24	---	AS 24087		
PS 858 1/4	AS 858 1/4	PS SS 3/4	AS SS 3/4	---	AS 24100		
PS 858 3/8	AS 858 3/8	PS SS 3/8	AS SS 3/8	---	AS 24112		
PS 858 5/8	AS 858 5/8	PS SS 5/16	AS SS 5/16	---	AS 24137		
PS 858 L 1/2	AS 858 1/2	PS SS 5/8	AS SS 5/8	---	AS 24162		
PS 858 L 1/2	AS 858 1/2	PS SS 8-32	AS SS 8-32	---	AS 24212		
PS 858 L 3/8	AS 858 3/8	PS TG 1/2*	AS TG 1/2*	---	AS 24262		
PS 865 1/2	AS 865 1/2	PS TG 3/8*	AS TG 3/8*	---	AS 24312		
PS 871 12	AS 871 12	PS 004M	---	---	AS 24362		
PS 871-10	AS 871 10	PS 006M	---	---	AS 24412		
PS 871-12	AS 871 12	PS 008M	---	---	AS 26025		
PS 871-16	AS 871 16	PS 010M	---	---	AS 26037		
PS 888	AS 888	PS 012M	---	---	AS 26050		
PS 889	AS 889	PS 014M	---	---	AS 26062		
PS 901(9)	AS 901(9)	PS 016M	---	---	AS 26075		
PS 902	AS 902*	PS 018M20	---	---	AS 26087		
PS 902	AS 902*	PS 018M21	---	---	AS 26112		
PS 9050	---	PS 020M	---	---	AS 26137		
PS 907	AS 907	PS 021M	---	---	AS 26162		
PS 913	AS 913	PS 022M	---	---	AS 26212		
PS 916	---	PS 024M	---	---	AS 26262		
PS 921 A	AS 921 A	PS 026M	---	---	AS 26312		
PS 921 B	AS 921 B	PS 027M	---	---	AS 26362		
PS 921 C	AS 921 C	PS 028M	---	---	AS 26412		
PS 921 D	AS 921 D	PS 030M	---	---	AS 28062		
PS 922	AS 922 R L*	PS 032M	---	---	AS 28087		

* Comparable with some deviation in dimension or configuration.

Superstrut Number	Anvil-Strut Number	Superstrut Number	Anvil-Strut Number	Superstrut Number	Anvil-Strut Number	Superstrut Number	Anvil-Strut Number
700-1	AS 1000 1	A100-5/16	AS RS 5/16	A890	---	AB846P	---
700-1/2	AS 1000 1/2	A100-5/8	AS RS 5/8	A891	---	AB847P	---
700-11/2	AS 1000 1 1/2	A100-7/8	AS RS 7/8	A892	---	AB848P	---
700-11/4	AS 1000 1 1/4	A1200	AS 200	A893	---	AB849P	---
700-2	AS 1000 2	A1200-HS	AS 200 EH	AB100-1/2	AS NS 1/2	AB850P	---
700-3/4	AS 1000 3/4	A1200-KO	AS 200 KO	AB100-1/4	AS NS 1/4	AB851P	---
700-3/8	AS 1000 3/8	A1200-P	AS 200 H	AB100-3/4	AS NS 3/4	AB852P	---
701-1	AS 1200 1	A1200-S	AS 200 S	AB100-3/8	AS NS 3/8	AB853P	---
701-1/2	AS 1200 1/2	A1202	AS 200 BTB	AB100-5/16	AS NS 5/16	AB854P	---
701-1/4	AS 1200 1/4	A1202-A	AS 200 STS	AB100-5/16	AS NS 5/16	AB855P	---
701-11/2	AS 1200 1 1/2	A1202-B	AS 200 STS R	AB100-5/8	AS NS 5/8	AB856P	---
701-11/4	AS 1200 1 1/4	A1202-C	AS 200 BTS	AB102-1/2	FIG. 285	AB857P	---
701-11/8	AS 1200 1 1/8	A1202-HS	AS 200 BTB EH	AB102-1/4	FIG. 285	AB858P	---
701-13/8	AS 1200 1 3/8	A1203-A	---	AB102-3/4	FIG. 285	AB859P	---
701-17/8	AS 1200 1 7/8	A1203-B	---	AB102-3/8	FIG. 285	AB860P	---
701-2	AS 1200 2	A1203-C	---	AB102-5/8	FIG. 285	AB861P	---
701-21/2	AS 1200 2 1/2	A1203-D	---	AB102-7/8	FIG. 285	AB862P	---
701-21/4	AS 1200 2 1/4	A1204	---	AB201	AS 604	AB863P	---
701-21/8	AS 1200 2 1/8	A1400	AS 210	AB202	AS 603	AB864P	---
701-23/4	AS 1200 2 3/4	A1400-HS	AS 210 EH(3)	AB203	AS 606	AB865P	---
701-25/8	AS 1200 2 5/8	A1400-KO	AS 210 KO	AB204	AS 605	AB866	---
701-3	AS 1200 3	A1400-P	AS 210 H	AB205	AS 607	AB866P	---
701-3/4	AS 1200 3/4	A1400-S	AS 210 S	AB206	AS 601	AB867P	---
701-3/8	AS 1200 3/8	A182-1/4X1	AS 517-1/4X1	AB207	AS 602	AB868	---
701-31/4	AS 1200 3 1/4	A182-1/4X11/4	AS 517-1/4X11/4	AB213	---	AB868P	---
701-31/8	AS 1200 3 1/8	A184-3/8X1	AS 517-3/8X1	AB214	---	AB869P	---
701-33/4	AS 1200 3 3/4	A184-3/8X11/4	AS 517-3/8X11/4	AB216	AS 615	AB870P	---
701-33/8	AS 1200 3 3/8	A185-1/2X1	AS 517-1/2X1	AB219	AS 718	AB871P	---
701-35/8	AS 1200 3 5/8	A185-1/2X11/4	AS 517-1/2X11/4	AB220	AS 714	AB872P	---
701-37/8	AS 1200 3 7/8	A208	AS 616	AB225	AS 624 45	AB873P	---
701-41/4	AS 1200 4 1/4	A209	AS 611	AB227	AS 633 45	AB880	---
701-41/8	AS 1200 4 1/8	A210	AS 613	AB239-1	AS 926 12	AB881	---
701-43/8	AS 1200 4 3/8	A211	AS679	AB239-2	AS 926 18	AB885	---
701-43/8	AS 1200 4 3/4	A212	AS 721	AB239-3	AS 926 24	AB887	---
701-45/8	AS 1200 4 5/8	A217	AS 667	AB240	AS 617	AB888	---
701-47/8	AS 1200 4 7/8	A218	AS 669	AB241-1/2	AS 619 1/2	AC100-1/4	AS NS 1/4
701-5	AS 1200 5/8	A243-1	AS 655*	AB241-1/4	AS 619 1/4	AC100-3/8	AS NS 3/8
701-5	AS 1200 5	A570	---	AB241-3/4	AS 619 3/4	AC100-1/2	AS NS 1/2
701-51/2	AS 1200 5 1/2	A597	AS 855-1	AB241-3/8	AS 619 3/8	ACIOO-5/8	AS NS 5/8
701-51/4	AS 1200 5 1/4	A716-1	AS 016 OD	AB241-5/16	AS 619 5/16	AN211	AS 678
701-51/8	AS 1200 5 1/8	A716-1/2	AS 008 ODN	AB241-5/8	AS 619 5/8	AN220	---
701-53/4	AS 1200 5 3/4	A716-1/4	AS 004 OD	AB242	---	AN257	---
701-53/8	AS 1200 5 3/8	A716-11/2	AS 024 OD	AB245	---	AN275	AS 2401
701-55/8	AS 1200 5 5/8	A716-11/4	AS 020 OD	AB252-1	AS 921 A	AN270-1	AS 2404
701-57/8	AS 1200 5 7/8	A716-11/8	AS 018 ODN	AB252-2	AS 921 B	AN270-2	AS 2405
701-6	AS 1200 6	A716-13/4	AS 028 OD	AB252-3	AS 921 C	AN270-3	AS 2406
702-1	AS 1101 1	A716-13/8	AS 022 ODN	AB252-4	AS 921 D	AN270-4	AS 2407
702-1/2	AS 1100 1/2	A716-15/8	AS 026 ODN	AB253	AS 712	AN270-5	AS 2408
702-11/2	AS 1100 1 1/2	A716-17/8	AS 030 ODP	AB254-L	---	AP232	AS 3033
702-11/4	AS 1100 1 1/4	A716-2	AS 032 OD	AB254-R	---	AP235	AS 3064
702-2	AS 1100 2	A716-21/8	AS 034 OD	AB255	AS 744	AW204	AS 665
702-21/2	AS 1100 2 1/2	A716-23/8	AS 038 ODP	AB257	AS 750	AW205-L	AS 922 L
702-3	AS 1100 3	A716-25/8	AS 042 OD	AB260-L	AS 720 L	AW205-R	AS 922 R
702-3/4	AS 1100 3/4	A716-3/4	AS 012 ODN	AB260-R	AS 720 R	AW214	AS 666
702-3/8	AS 1100 3/8	A716-3/8	AS 006 ODN	AB261	AS 854	AW219	AS 913
702-31/2	AS 1100 3 1/2	A716-31/8	AS 050 OD	AB263	AS 2190	AW220	AS 923
702-4	AS 1100 4	A716-41/8	AS 066 OD	AB265	AS 747	AW224	AS 821
702-5	AS 1100 5	A716-5/8	AS 010 ODN	AB274	---	AW226	AS 668
702-6	AS 1100 6	A716-7/8	AS 014 ODN	AB284-L	---	AW228	AS 669
702-8	AS 1100 8	A802	---	AB284-R	---	AW230-R	---
703-1	AS 1300 1	A804	AS 655	AB288	---	AW230-L	---
703-1/2	AS 1300 1/2	A805	AS 2511 21/2	AB299	AS 806	B100 1/4	AS SS 1/4
703-11/2	AS 1300 11/2	A809-1	---	AB803	AS 2560/AS 2561*	BIOO 5/16	AS SS 5/16
703-11/4	AS 1300 11/4	A809-3/4	AS 2511 23/4	AB815	---	B100 3/8	AS SS 3/8
703-2	AS 1300 2	A822	---	AB840P	---	B100 1/2	AS SS 1/2
703-3/4	AS 1300 3/4	A853	---	AB841P	---	B209	AS 928
811-1	---	A853-L	---	AB842P	---	B210	AS 929
811-2	---	A854	AS 2631	AB843P	---	B302	AS 449 Series (5)(6)
A100-1/2	AS RS 1/2	A854-L	---	AB844	---	B450	AS 654(7)
A100-1/4	AS RS 1/4	A863	---	AB844P	---	B802	---
A100-3/4	AS RS 3/4	A864	---	AB844PC	---	B804	AS 930
A100-3/8	AS RS 3/8	A889	---	AB845P	---	B822	---

* Comparable with some deviation in dimension or configuration.

B-LINE
ERISTRUT
GLOBE
HAYDON
KINDORF
PHD
POWER-STRUT
SUPERSTRUT
TOLSTRUT
UNISTRUT

Anvil-Strut™ Cross Reference Guide

SUPERSTRUT

Superstrut Number	Anvil-Strut Number	Superstrut Number	Anvil-Strut Number	Superstrut Number	Anvil-Strut Number	Superstrut Number	Anvil-Strut Number
B1200	AS 520	C716-2	FIG. CT 69	C790-1A	FIG. 167	CT727-4	FIG. CT 69
B1200-HS	AS 520 EH(3)	C716-21/2	FIG. CT 69	C790-2A	FIG. 167	CT727-5	FIG. CT 69
B1200-P	AS 520 H	C716-3	FIG. CT 69	C790-3A	FIG. 167	CT727-6	FIG. CT 69
B1200-S	AS 520 S	C716-31/2	FIG. CT 69	C790-4A	FIG. 167	CLT710-1/2	FIG. CT 65
B1202	AS 520 BTB	C716-4	FIG. CT 69	C790-5A	FIG. 167	CLT710-3/4	FIG. CT 65
B1400	AS 500	C720-1/2	FIG. 261	C790-6A	FIG. 167	C790-6A	FIG. CT 65
B1400-HS	AS 500 EH (3)	C720-3/4	FIG. 261	C790-7A	FIG. 167	CLT710-11/4	FIG. CT 65
B1400-P	AS 500 H	C720-1	FIG. 261	C790-8A	FIG. 167	CLT710-11/2	FIG. CT 65
B1400-S	AS 500 S	C720-11/4	FIG. 261	C790-9A	FIG. 167	CLT710-2	FIG. CT 65
C108-1/2	AS 3104	C720-11/2	FIG. 261	C790-10A	FIG. 167	CLT710-21/2	FIG. CT 65
C108-3/4	AS 3105	C720-2	FIG. 261	C790-9B	FIG. 167	CLT710-3	FIG. CT 65
C108-1	AS 3106	C720-21/2	FIG. 261	C790-10B	FIG. 167	CLT710-31/2	FIG. CT 65
C108-11/4	AS 3107	C720-3	FIG. 261	C790-11B	FIG. 167	CLT710-4	FIG. CT 65
C108-1/2	AS 3108	C720-31/2	FIG. 261	C790-12B	FIG. 167	C209	---
C108-2	AS 3110	C720-4	FIG. 261	C790-13C	FIG. 167	E120-3/8	---
C209	AS 711	C720-5	FIG. 261	C790-14C	FIG. 167	E120-1/2	---
C210	AS 710	C720-6	FIG. 261	C790-15C	FIG. 167	E122-3/8	---
C302	AS 349 Series	C720-8	FIG. 261	C790-16C	FIG. 167	E122-1/2	---
C450	AS 653	C720-10	FIG. 261	C790-17C	FIG. 167	E130-3/8	---
C475-3/8	---	C720-12	FIG. 261	C790-18C	FIG. 167	E130-1/2	---
C475-1/2	AS 680 1/2	C725-1/2	FIG. 212	C790-X1A	FIG. 167	E131-3/8	AS 203 3/8
C475-5/8	---	C725-3/4	FIG. 212	C804	AS 656	E131-1/2	AS 203 1/2
C475-3/4	NSA *	C725-1	FIG. 212	C822	---	E142-1/4X1	AS 6024 1/4X1
C475-7/8	NSA *	C725-11/4	FIG. 212	C1200	AS 300	E142-1/4X11/2	AS 6024 1/4X11/2
C708U-1/2	AS 3126 1/2*	C725-11/2	FIG. 212	C1200-HS	AS 300 EH	E142-3/8X1	AS 6024 3/8X1
C708U-3/4	AS 3126 3/4*	C725-2	FIG. 212	C1202	AS 300 BTB	E142-3/8X11/2	AS 6024 3/8X11/2
C708U-1	AS 3126 1*	C725-21/2	FIG. 212	C1202-A	AS 300 STS	E142-1/2X15/16	AS 6024 1/2X15/16
C708U-11/4	AS3126 11/4*	C725-3	FIG. 212	C1202-B	AS 300 STSR	E142-1/2X11/2	AS 6024 1/2X11/2
C708U-11/2	AS 3126 11/2*	C725-31/2	FIG. 212	CL710-1/2	FIG. 65	E145-1/4	AS 83 1/4
C708U-2	AS 3126 2*	C725-4	FIG. 212	CL710-3/4	FIG. 65	E145-3/8	AS 83 3/8
C708U-21/2	AS 3126 21/2*	C725-5	FIG. 212	CL710-1	FIG. 65	E145-1/2	AS 83 1/2
C708U-3	AS 3126 3*	C725-6	FIG. 212	CL710-1/4	FIG. 65	E145-5/8	AS 83 5/8
C708U-31/2	AS 3126 31/2*	C725-8	FIG. 212	CL710-1/2	FIG. 65	E14-3/4	AS 83 3/4
C708U-4	AS 3126 4*	C725-10	FIG. 212	CL710-2	FIG. 65	E145-7/8	AS 83 7/8
C708U-5	AS 3126 5*	C725-12	FIG. 212	CL710-21/2	FIG. 65	E145-1	AS 83 1
C708U-6	AS 3126 6*	C727-1/2	FIG. 69	CL710-3	FIG. 65	E146-1/4	AS 6108 1/4
C710-1/2	FIG. 260	C727-3/4	FIG. 69	CL710-31/2	FIG. 65	E146-5/16	NSA
C710-3/4	FIG. 260	C727-1	FIG. 69	CL710-4	FIG. 65	E146-3/8	AS 6108 3/8
C710-1	FIG. 260	C727-11/4	FIG. 69	CM100-1/4	AS TG 1/4*	E146-1/2	AS 6108 1/2
C710-11/4	FIG. 260	C727-11/2	FIG. 69	CM100-3/8	AS TG 3/8*	E146-5/8	AS 6108 5/8
C710-11/2	FIG. 260	C727-2	FIG. 69	CM100-1/2	AS TG 1/2*	E147-1/4	AS 209 1/4
C710-2	FIG. 260	C727-21/2	FIG. 69	CM100B-1/2	AS TG 1/2*	E147-5/16	AS 209 5/16
C710-21/2	FIG. 260	C727-3	FIG. 69	CR729A-2	FIG. 175	E147-3/8	AS 209 3/8
C710-3	FIG. 260	C727-31/2	FIG. 69	CR729A-21/2	FIG. 175	E147-1/2	AS 209 1/2
C710-31/2	FIG. 260	C727-4	FIG. 69	CR729A-3	FIG. 175	E147-5/8	AS 209 5/8
C710-4	FIG. 260	C727-5	FIG. 69	CR729A-31/2	FIG. 175	E147-3/4	AS 209 3/4
C710-5	FIG. 260	C727-6	FIG. 69	CR729A-4	FIG. 175	E147-7/8	AS 209 7/8
C710-6	FIG. 260	C727-8	FIG. 69	CR729A-5	FIG. 175	E148-1/4	AS 211 1/4
C710-8	FIG. 260	C728	AS 1901	CR729A-6	FIG. 175	E148-3/8	AS 211 3/8
C710-10	FIG. 260	C728-H	AS 815	CR729A-8	FIG. 175	E148-1/2	AS 211 1/2
C710-12	FIG. 260	C729-21/2	FIG. 181	CR729A-10	FIG. 175	E148-5/8	AS 211 5/8
C711-1/2	FIG. 67	C729-3	FIG. 181	CR729A-12	FIG. 175	E149-1/4 X 3/4	AS 6075 1/4 X 3/4
C711-3/4	FIG. 67	C729-31/2	FIG. 181	CT701	AS 1200 Series	E149-1/4 X 1	AS 6075 1/4X1
C711-1	FIG. 67	C729-4	FIG. 181	CT720-1/2	FIG. CT 121	E149-5/16 X 11/4	AS 6075 5/16 X 11/4
C711-11/4	FIG. 67	C729-5	FIG. 181	CT720-3/4	FIG. CT 121	E149-3/8 X 11/4	AS 6075 3/8 X 11/4
C711-11/2	FIG. 67	C729-6	FIG. 181	CT720-1	FIG. CT 121	E150-S	---
C711-2	FIG. 67	C729-8	FIG. 181	CT720-11/4	FIG. CT 121	E151	FIG. 142
C711-21/2	FIG. 67	C729-10	FIG. 181	CT720-11/2	FIG. CT 121	E151-D	FIG. 142
C711-3	FIG. 67	C729-12	FIG. 181	CT720-2	FIG. CT 121	E210	AS 2648
C711-31/2	FIG. 67	C749-N	AS 9402*	CT720-21/2	FIG. CT 121	E802	---
C711-4	FIG. 67	C749-N-5/8	AS 9403*	CT720-3	FIG. CT 121	E804	AS 2580
C711-5	FIG. 67	C749-N-7/8	AS 9403*	CT720-31/2	FIG. CT 121	E863	---
C711-6	FIG. 67	C749-N-11/8	AS 9403*	CT720-4	FIG. CT 121	E864	---
C711-8	FIG. 67	C775L-3/8	FIG. 95	CT727-1/2	FIG. CT 69	E1200	AS 150
C711-10	FIG. 67	C775L-1/2	FIG. 95	CT727-3/4	FIG. CT 69	E1200-HS	AS 150 EH(3)
C711-12	FIG. 67	C775L-5/8	FIG. 95	CT727-1	FIG. CT 69	E1200-P	AS 150 H
C716-3/8	FIG. CT 69	C775L-3/4	FIG. 95	CT727-11/4	FIG. CT 69	E1202	AS 1502T3
C716-1/2	FIG. CT 69	C775L-7/8	FIG. 95	CT727-11/2	FIG. CT 69	EC-1/2	---
C716-3/4	FIG. CT 69	C781L-3/8	---	CT727-2	FIG. CT 69	EC-3/4	---
C716-1	FIG. CT 69	C781L-1/2	---	CT727-21/2	FIG. CT 69	EC-1	---
C716-11/4	FIG. CT 69	C781L-5/8	---	CT727-3	FIG. CT 69	EC-11/4	---
C716-11/2	FIG. CT 69	C781L-3/4	---	CT727-31/2	FIG. CT 69	EC-2	---

* Comparable with some deviation in dimension or configuration.

Superstrut Number	Anvil-Strut Number	Superstrut Number	Anvil-Strut Number	Superstrut Number	Anvil-Strut Number	Superstrut Number	Anvil-Strut Number
EC-21/2	---	MT718-11/2	FIG. CT 138 R	S217	AS 732 12	U576	---
EC-3	---	MT718-2	FIG. CT 138 R	S218	AS 732 14	U577	AS 2623*
EC-31/2	---	MT742R-3/8	FIG. CT 128 R	S222	AS 732 16	U579-3/8	FIG. 128 R
EC-4	---	MT742R-1/2	FIG. CT 128 R	S226	AS 732 18	U579-1/2	FIG. 128 R
EF147-1/4	AS 230 1/4*	N-219	AS 719	S236	AS 732 20	U861-1	---
EF147-3/8	AS 230 3/8*	P716-1/4	AS 004 OD	S247	AS 708	U861-2	---
EF147-1/2	AS 230 1/2*	P716-3/8	AS 006 ODN	S248	AS 3164	U861-3	---
ES142-1/2X11/2	AS 3500*	P716-1/2	AS 008 ODN	S250-6	AS 651 6(10)	U861-4	---
ES145-3/8	---	P716-3/4	AS 012 ODN	S250-12	AS 651 12(10)	U861-5	---
ES145-1/2	---	P716-1	AS 016 OD	S250-18	AS 651 18(10)	U861-6	---
ET727	---	P716-11/4	AS 020 OD	S250-24	AS 651 24(10)	U861-7	---
EZ209	AS 2601	P716-11/2	AS 024 OD	S251-12	AS 809 12	U861-8	---
H100-3/8	AS LS 3/8	P716-2	AS 032 OD	S251-18	AS 809 18	US562	---
H100-1/2	AS LS 1/2	P716-21/2	AS 040 OD	S251-24	AS 809 24	US563	AS 2622* AS 2623*
H100-5/8	AS LS 5/8	P716-3	AS 048 OD	S251-30	AS 809 30	X201	NSA
H104-1/4	FIG. 146	P716-31/2	AS 064 ODP	S251-36	AS 809 36	X204	AS 689 A
H104-3/8	FIG. 146	P716-4	AS 072 ODP	S256-6	---	X207	AS 888
H104-1/2	FIG. 146	PC-1/2	---	S256-12	---	X208	AS 889
H104-5/8	FIG. 146	PC-3/4	---	S256-18	---	X289	AS 748
H104-3/4	FIG. 146	PC-1	---	S256-24	---	X299	AS 2545
H104-7/8	FIG. 146	PC-11/4	---	S541	---	Z220	AS 609
H104-1	FIG. 146	PC-11/2	---	S716	AS 3792	6HO	---
H115-1/2	FIG. 137	PC-2	---	S720-3/4	---	6HO-B	AS 270 3/8-1/2
H115-3/4	FIG. 137	PC-21/2	---	S720-1	---	6HO-BB	---
H115-1	FIG. 137	PC-3	---	S720-11/4	---	6H1	---
H115-11/4	FIG. 137	PC-31/2	---	S720-11/2	---	6H1-B	AS 270 3/4
H115-11/2	FIG. 137	PC-4	---	S720-2	---	6H1-BB	---
H115-2	FIG. 137	PG795	---	S720-21/2	---	6H2	---
H115-21/2	FIG. 137	Q202	AS 9402*	S720-3	---	6H2-B	AS 270 1
H115-3	FIG. 137	Q205	AS 9403*	S720-31/2	---	6H21/2	---
H115-31/2	FIG. 137	Q252-11/4	---	S720-4	---	6H21/2B	AS 270 11/4
H115-4	FIG. 137	Q252-2	---	S720-5	---	6H3-SC	---
H115-5	FIG. 137	Q253	AS 825 L*	S720-6	---	6H3-B	AS 270 11/2
H115-6	FIG. 137	Q254	AS 825 R*	S720-8	---	6H4	---
H115-8	FIG. 137	Q255	---	TR292	AS 2521	6H4-B	---
H115-10	FIG. 137	Q256	---	TR294	AS 2522*	6H5	AS 270 2
H115-12	FIG. 137	RA160	---	TS272	AS 2528	6H5-B	---
H119-1/4	FIG. 135 E	RA225	---	TS273	AS 2528 1	6H6	---
H119-5/16	FIG. 135 E	RA300	---	U501	AS 2651 T1	6H6-B	---
H119-3/8	FIG. 135 E	RA-BN5/8	---	U502	AS 2651 T2	6H7	---
H119-1/2	FIG. 135 E	RA-BN3/4	---	U504	AS 2656 T1 6-12*	6H7-B	---
H119-5/8	FIG. 135 E	RA-C	---	U505	AS 2657 T1 6-12*	6H8	---
H119-3/4	FIG. 135 E	RA-GP	---	U510	AS 685	6H8-B	---
H119-7/8	FIG. 135 E	RA-RC	---	U514	AS 907	6H9	---
H119-1	FIG. 135 E	RC-1/2	AS 51 1/2	U514-A	AS 998	6H9-B	---
H119-1/4T03/8	FIG. 135 R	RC-3/4	AS 51 3/4	U515	AS 684	452	---
H119-3/8TO1/2	FIG. 135 R	RC-1	AS 51 1	U515-B	AS 684	460-20	AS 6151(11)
H119-1/2T05/8	FIG. 135 R	RC-11/4	AS 51 11/4	U520	---	500	AS 85 1/4(10)
H119-5/8T03/4	FIG. 135 R	RC-11/2	AS 51 11/2	U521	---	502	AS 85 3/8(10)
H119-3/4TO7/8	FIG. 135 R	RC-2SC	AS 51 2	U522	---	503	AS 85 1/2(10)
H802	---	RC-21/2	AS 51 21/2	U543	AS 2654	512	AS 686(10)
H804	AS 902	RC-3	AS 51 3	U560-1/4	AS 858 1/4	540-3/8	---
H805	AS 2511 11/2	RC-31/2	AS 51 31/2	U560-3/8	AS 858 3/8	540-1/2	---
H1200	AS 100	RC-4SC	AS 51 4	U560-1/2	AS 858 1/2	540-5/8	---
H1200-HS	AS 100 EH(3)	S201L-6	AS 838 L 6	U560-5/8	AS 858 5/8(10)	---	AS 23025
H1200-P	AS 100 H	S201R-6	AS 838 R 6	U562	---	---	AS 23037
H1202	AS 100 BTB	S201L-8	AS 838 L 8	U563	AS 2622*	---	AS 23050
M775L-3/8	FIG. 86	S201R-8	AS 838 R 8	U564-3/8	AS 865 3/8(10)	---	AS 23062
M775L-1/2	FIG. 86	S201L-10	AS 838 L 10	U564-1/2	AS 865 1/2(10)	---	AS 23075
M775-5/8	FIG. 86	S201R-10	AS 838 R 10	U564-5/8	AS 865 5/8(10)	---	AS 23087
M775-3/4	FIG. 86	S201L-12	AS 838 L 12	U568-1	AS 871 10"	---	AS 23100
M777-3/8	FIG. 92	S201R-12	AS 838 R 12	U568-2	AS 871 12*	---	AS 23112
M777-1/2	FIG. 92	S201L-14	AS 838 L 14	U568-3	AS 871 10"	---	AS 23137
M777-5/8	FIG. 93	S201R-14	AS 838 R 14	U568-4	AS 871 12*	---	AS 23162
M777-3/4	FIG. 94	S201L-16	AS 838 L 16	U568-5	AS 871 16"	---	AS 23212
M777-7/8	FIG. 94	S201R-16	AS 838 R 16	U568-6	AS 871 10"	---	AS 24037
M778-3/8B	FIG. 93	S201L-18	AS 838 L 18	U568-7	AS 871 12*	---	AS 24050
M778-1/2B	FIG. 93	S201R-18	AS 838 R 18	U568-8	AS 871 16"	---	AS 24062
MT718-1/2	FIG. CT 138 R	S201L-20	AS 838 L 20	U569	AS 2622 J6*	---	AS 24075
MT718-3/4	FIG. CT 138 R	S201R-20	AS 838 R 20	U570	---	---	AS 24087
MT718-1	FIG. CT 138 R	S204	AS 732 8	U571	---	---	AS 24100
MT718-11/4	FIG. CT 138 R	S205	AS 732 10	U572	---	---	AS 24112

* Comparable with some deviation in dimension or configuration.

B-LINE
ERISTRUT
GLOBE
HAYDON
KINDORF
PHD
POWER-STRUT
SUPERSTRUT
TOLSTRUT
UNISTRUT

Superstrut Number	Anvil-Strut Number
---	AS 24137
---	AS 24162
---	AS 24212
---	AS 24262
---	AS 24312
---	AS 24362
---	AS 24412
---	AS 26025
---	AS 26037
---	AS 26050
---	AS 26062
---	AS 26075
---	AS 26087
---	AS 26112
---	AS 26137
---	AS 26162
---	AS 26212
---	AS 26262
---	AS 26312
---	AS 26362
---	AS 26412
---	AS 28062
---	AS 28087
---	AS 28112
---	AS 28137
---	AS 28162
---	AS 28212
---	AS 28262
---	AS 28312
---	AS 28362

* Comparable with some deviation in dimension or configuration.

Tolstrut Number	Anvil-Strut Number	Tolstrut Number	Anvil-Strut Number	Tolstrut Number	Anvil-Strut Number	Tolstrut Number	Anvil-Strut Number
12HS	---	CUSH 17/8 OD	AS 030 ODP	I.P.S. CUSH 2	AS 038 ODP	OD 3	AS 1200-3
14P	AS 210H	CUSH 2 OD	AS 032 OD	I.P.S. CUSH 21/2	AS 046 ODP	OD 3/4	AS 1200-3/4
14SL	AS 210S	CUSH 21/8 OD	AS 034 OD	I.P.S. CUSH 3	AS 056 ODP	OD 3/8	AS 1200-3/8
2 STR 1/2-8	AS 3126 1/2-6	CUSH 21/2 OD	AS 040 OD	I.P.S. CUSH 31/2	AS 064 ODP	OD 31/2	AS 1200-31/2
A-12	AS 200	CUSH 25/8 OD	AS 042 OD	I.P.S. CUSH 4	AS 072 ODP	OD 31/4	AS 1200-31/4
A-12 END CAP	AS 655	CUSH 27/8 OD	AS 046 ODP	I.P.S. CUSH 5	AS 089 OD	OD 31/8	AS 1200-31/8
A-12A	AS 200 2T3	CUSH 3 OD	AS 048 OD	I.P.S. CUSH 6	AS 106 P	OD 33/4	AS 1200-33/4
A-12HS	AS 200EH	CUSH 31/8 OD	AS 050 OD	L-08	AS 806	OD 33/8	AS 1200-33/8
A-12P	AS 200H	CUSH 35/16 OD	---	L-10	AS 604	OD 35/8	AS 1200-35/8
A-12SL	AS 200S	CUSH 31/2 OD	AS 056 ODP	L-11	AS 603	OD 37/8	AS 1200-37/8
A-14	AS 210	CUSH 35/8 OD	AS 058 OD	L-12	AS 2144	OD 4	AS 1200-4
A-14 END CAP	AS -2585	CUSH 4 OD	AS 064 ODP	L-15	AS 2545	OD 41/2	AS 1200-41/2
A-14HS	AS 210EH	CUSH 41/8 OD	AS 066 OD	L-16	---	OD 41/4	AS 1200-41/4
A-14P	AS 210 2T3	CUSH 45/16 OD	---	L-17	AS 764	OD 41/8	AS 1200-41/8
B-12	AS 300	CUSH 41/2 OD	AS 072 ODP	L-18	AS 605	OD 43/4	AS 1200-43/4
B-12 CONCT	AS 349	CUSH 51/8 OD	AS 082 OD	L-19	AS 745	OD 43/8	AS 1200-43/8
B-12 END CAP	AS 656	CUSH 61/8 OD	AS 098 OD	L-20	AS 606	OD 45/8	AS 1200-45/8
B-12 END SPOT	AS 653	D-12	AS 150	L-21	AS 3049	OD 47/8	AS 1200-47/8
B-12A	AS 300 2T3	D-12 END CAP	AS 930	L-22	AS 607	OD 5	AS 1200-5
B-12HS	AS 300EH	D-12A	AS 150 2T3	L-23U	AS 3373	OD 5/8	AS 1200-5/8
B-12SL	AS 300S	D-12HS	AS 150EH	L-24 R&L	AS 3373	OD 51/2	AS 1200-51/2
BC-09	---	D-12P	AS 150H	L-25 R&L	AS 716L	OD 51/4	AS 1200-51/4
BC-10	AS 2622	D-12SL	AS 150S	L-26 R&L	---	OD 51/8	AS 1200-51/8
BC-11	AS 2622-J6	E-12	AS 100	L-27	---	OD 53/4	AS 1200-53/4
BC-12	AS 2622-J10	E-12 END CAP	AS 902	L-28	AS 715	OD 53/8	AS 1200-53/8
BC-13	AS 858	E-12A	AS 100-2T3	L-29	AS 921 A-C	OD 55/8	AS 1200-55/8
BC-14	---	E-12EL	AS 100S	L-30	AS 622	OD 57/8	AS 1200-57/8
BC-15	AS 2623	E-12HS	AS 100EH	L-31 R&L	AS 720R,L	OD 6	AS 1200-6
BC-16	AS 855	E-12P	AS 100H	L-32	AS 614	OD 61/2	AS 1200-61/2
BC-17	AS 2651	EMTC 1	AS 1000-1	L-33	AS 615	OD 61/4	AS 1200-61/4
BC-18	AS 998	EMTC 1/2	AS 1000-1/2	L-34	AS 748	OD 61/8	AS 1200-61/8
BC-19	AS 684	EMTC 11/2	AS 1000-11/2	L-35	AS 713	OD 63/4	AS 1200-63/4
BC-20	AS 686	EMTC 11/4	AS 1000-11/4	L-36 R&L	---	OD 63/8	AS 1200-63/8
BC-21	AS 685	EMTC 2	AS 1000-2	L-37	AS 689A	OD 65/8	AS 1200-65/8
BC-23	AS 2654	EMTC 3/4	AS 1000-3/4	L-38	AS 689B	OD 67/8	AS 1200-67/8
BC-70	AS 2656	F-09	AS 620	L-39	AS 2113	OD 7	AS 1200-7
BC-71	AS 2656 T2	F-10	---	L-40	AS 927	OD 7/8	AS 1200-7/8
BC-72	AS 2657	F-11	AS 2504 1/2-3/4	L-41	---	OD 71/2	AS 1200-71/2
BC-73	AS 2657 T2	F-12	AS 619 1/4	L-42 R&L	AS 725R,L	OD 71/4	AS 1200-71/4
B-P	AS 300H	F-13	AS 619 1/4	L-43	AS 746	OD 71/8	AS 1200-71/8
BR-10 R&L	AS 838	F-14	AS 619 3/8	L-44	AS 926	OD 73/4	AS 1200-73/4
BR-11	AS 732	F-15	AS 619 1/2	L-45	AS 633	OD 73/8	AS 1200-73/8
BR-12	---	F-16	AS 619 5/8	L-47	AS 624	OD 75/8	AS 1200-75/8
BR-14	AS 3164	F-17	AS 619 3/4	L-L23 R&L	AS 608	OD 77/8	AS 1200-77/8
BR-15	AS 661	F-18	AS 619 7/8	NUT 1/4	AS NS 1/4	OD 8	AS 1200-8
BR-15	---	F-20	AS 602	NUT 12	AS NS 1/2	OD 81/2	AS 1200-81/2
BR-17	AS 809	F-21	---	NUT 3/4	AS NS 3/4	OD 81/4	AS 1200-81/4
BR-18	AS 808	F-22	---	NUT 3/8	AS NS 3/8	OD 81/8	AS 1200-81/8
BR-19	---	F-23	---	NUT 5/8	AS NS 5/8	OD 83/8	AS 1200-83/8
BR-20	---	F-24	AS 621	NUT 7/8	AS NS 7/8	OD 85/8	AS 1200-85/8
BR-21	---	F-25	AS 714	OD 1	AS 1200-1	OD 87/8	---
BR-22	AS 651	F-26	AS 618	OD 1/2	AS 1200-1/2	OD 9	---
C-14	AS 500	F-27	AS 617	OD 1/4	AS 1200-1/4	OD 91/2	---
C-14 END CAP	---	F-28	AS 712	OD 10	---	OD 95/8	---
C-14A	AS 500 2T3	F-29	---	OD 11	---	P-10	AS 3013
C-14HS	AS 500EH	F-30	AS 925	OD 11/2	AS 1200-11/2	P-11	AS 3033
C-14P	AS 500H	F-31	AS 747	OD 11/4	AS 1200-11/4	P-11SQ	---
C-14SL	AS 500S	F-32	AS 854	OD 11/8	AS 1200-11/8	P-12	AS 3029
CL-10	---	F-33	AS 750	OD 115/8	---	P-13	AS 3064
CUSH 1/4 OD	AS 004 OD	F-34	AS 2190	OD 12	---	P-14	AS 3041
CUSH 3/8 OD	AS 006 ODN	F-35	AS 744	OD 13/4	AS 1200-13/4	P-15	AS 3040
CUSH 1/2 OD	AS 008 ODN	F-36	AS 718	OD 13/8	AS 1200-13/8	P-9	AS 3025
CUSH 5/8 OD	AS 010 ODN	F-37	---	OD 15/8	AS 1200-15/8	RIGD 1	AS 1100-1
CUSH 3/4 OD	AS 012 ODN	F-38	AS 2112	OD 17/8	AS 1200-17/8	RIGD 1/2	AS 1100-1/2
CUSH 7/8 OD	AS 014 ODN	HEXSCRW	AS 6024	OD 2	AS 1200-2	RIGD 10	AS 1100-10
CUSH 1 OD	AS 016 OD	I.P.S. CUSH 1/4	AS 009 P	OD 21/2	AS 1200-21/2	RIGD 11/2	AS 1100-11/2
CUSH 11/8 OD	AS 018 ODN	I.P.S. CUSH 3/8	AS 011 P	OD 21/4	AS 1200-21/4	RIGD 11/4	AS 1100-11/4
CUSH 11/4 OD	AS 020 OD	I.P.S. CUSH 1/2	AS 014 P	OD 21/8	AS 1200-21/8	RIGD 12	AS 1100-12
CUSH 13/8 OD	AS 022 ODN	I.P.S. CUSH 3/4	AS 017 P	OD 23/4	AS 1200-23/4	RIGD 2	AS 1100-2
CUSH 11/2 OD	AS 024 OD	I.P.S. CUSH 1	AS 021 P	OD 23/8	AS 1200-23/8	RIGD 21/2	AS 1100-21/2
CUSH 15/8 OD	AS 026 ODN	I.P.S. CUSH 11/4	AS 027 P	OD 25/8	AS 1200-25/8	RIGD 3	AS 1100-3
CUSH 13/4 OD	AS 028 OD	I.P.S. CUSH 11/2	AS 030 ODP	OD 27/8	AS 1200-27/8	RIGD 3/4	AS 1100-3/4

* Comparable with some deviation in dimension or configuration.

B-LINE
ERISTRUT
GLOBE
HAYDON
KINDORF
PHD
POWER-STRUT
SUPERSTRUT
TOLSTRUT
UNISTRUT

Anvil-Strut™ Cross Reference Guide

TOLSTRUT

Tolstrut Number	Anvil-Strut Number	Tolstrut Number	Anvil-Strut Number	Tolstrut Number	Anvil-Strut Number
RIGD 31/2	AS 1100-31/2	UNIV 11/4	AS 1300-11/4	---	AS 28362
RIGD 4	AS 1100-4	UNIV 2	AS 1300-2		
RIGD 5	AS 1100-5	UNIV 3/4	AS 1300-3/4		
RIGD 6	AS 1100-6	W-10 R&L	AS 922R,L		
RIGD 8	AS 1100-8	W-11 R&L	AS 2128R,L		
ROL-10	AS 2521	W-12	AS 665		
ROL-11	AS 2522	W-13	AS 666		
ROL-12	AS 1901	W-14	AS 667		
ROL-13	AS 1902	W-15 R&L	AS 2117R,L		
ROL-14	AS 815	W-16	AS 923		
ROL-15	AS 816	W-17	AS 821		
ROL-16	---	W-18	AS 913		
SPOT 1/2	AS 86X-1/2	W-19	AS 668		
SPOT 1/4	AS 86X-1/4	W-20	AS 670		
SPOT 3/4	AS 86X-3/4	W-21	AS 669		
SPOT 3/8	AS 86X-3/8	W-22	---		
SPOT 5/8	AS 86X-5/8	W-23	AS 943		
SPOT 7/8	---	W-24	AS 945		
SPOT INSERT	---	W-25	AS 2514		
SPRA 1/2	AS RS 1/2	W-26	---		
SPRA 1/4	AS RS 1/4	W-27	---		
SPRA 3/4	AS RS 3/4	Z-10	AS 647		
SPRA 3/8	AS RS 3/8	Z-15	AS 711		
SPRA 5/8	AS RS 5/8	Z-17	AS 3060		
SPRA 7/8	AS RS 7/8	Z-25	AS 692		
SPRC 1/2	AS SS 1/2	---	AS 23025		
SPRC 1/4	AS SS 1/4	---	AS 23037		
SPRC 3/4	AS SS 3/4	---	AS 23050		
SPRC 3/8	AS SS 3/8	---	AS 23062		
SPRC 5/8	AS SS 5/8	---	AS 23075		
SPRD 1/2	AS LS 1/2	---	AS 23087		
SPRD 1/4	AS LS 1/4	---	AS 23100		
SPRD 3/4	AS LS 3/4	---	AS 23112		
SPRD 3/8	AS LS 3/8	---	AS 23137		
SPRD 5/8	AS LS 5/8	---	AS 23162		
SPRM 1/2	AS 517 1/2x1	---	AS 23212		
SPRM 1/4	AS 517 1/4x1	---	AS 24037		
SPRM 3/8	AS 517 3/8x1	---	AS 24050		
SPRM 5/8	---	---	AS 24062		
STR 1	AS 1450 1	---	AS 24075		
STR 1/2	AS 1450 1/2	---	AS 24087		
STR 1/4	AS 1450 1/4	---	AS 24100		
STR 3/4	AS 1450 3/4	---	AS 24112		
STR 3/8	AS 1450 3/8	---	AS 24137		
STR 5/16	---	---	AS 24162		
STR 5/8	AS 1450 5/8	---	AS 24212		
STR 7/8	AS 1450 7/8	---	AS 24262		
SWF	AS 202	---	AS 24312		
SWFF	AS 204	---	AS 24362		
SWMF	AS 203	---	AS 24412		
TSN 1/2	AS TG 1/2	---	AS 26025		
TSN 1/4	AS TG 1/4	---	AS 26037		
TSN 3/8	AS TG 3/8	---	AS 26050		
U-10	AS 2119	---	AS 26062		
U-11	AS 929	---	AS 26075		
U-12	AS 2648	---	AS 26087		
U-13	AS 687	---	AS 26112		
U-16	AS 679	---	AS 26137		
U-22	AS 631	---	AS 26162		
U-24	AS 646, AS 616	---	AS 26212		
U-24	---	---	AS 26262		
U-26	AS 671	---	AS 26312		
U-27	AS 760-2	---	AS 26362		
U-28	---	---	AS 26412		
U-29	---	---	AS 28062		
U-30	---	---	AS 28087		
U-31	---	---	AS 28112		
U-32	---	---	AS 28137		
U-33	---	---	AS 28162		
UNIV 1	AS 1300-111/2	---	AS 28212		
UNIV 1/2	AS 1300-1/2	---	AS 28262		
UNIV 11/2	AS 1300-111/2	---	AS 28312		

* Comparable with some deviation in dimension or configuration.

Unistrut Number	Anvil-Strut Number	Unistrut Number	Anvil-Strut Number	Unistrut Number	Anvil-Strut Number	Unistrut Number	Anvil-Strut Number
A-SERIES	---	H-SHS025075EG	AS 6075 1/4X3/4	M-2824	---	P1006-0832	AS RS 8-32
H-CSS025100EG	---	H-SHS031100EG	---	M-29	---	P1006-1024	AS RS 10-24
H-CSS031150EG	---	H-SHS031125EG	AS 6075 5/16X11/4	M-30	---	P-1006-1420	AS RS 1/4
H-CSS037150EG	---	H-SHS031150EG	---	M-31	---	P-1006-1420	AS TG 1/4*
H-CSS037200EG	---	H-SHS037125EG	---	M-5025	---	P-1007	AS RS 5/16
H-CSS050150EG	---	H-SQN025EG	---	M-5026	---	P-1008	AS RS 3/8
H-CSS050200EG	---	H-SQN031EG	---	M-5028	---	P-1008T	AS TG 3/8*
H-CSS062150EG	---	H-SQN037EG	---	M-5030	---	P-1009	AS TG 5/16
H-CSS062200EG	---	H-SQN050EG	---	M-5032	---	P-1010	AS RS 1/2
H-FLW025EG	AS 209 1/4	H-SQN062EG	---	M-5034	---	P-1010T	AS TG 1/2*
H-FLW031EG	---	H-THR010	---	M-5036	---	P-1010-U	AS RS 1/2 SS
H-FLW037EG	AS 209 3/8	H-THR025	FIG. 146	M-5038	---	P-1012	AS NS 5/8*
H-FLW050EG	AS 209 1/2	H-THR031	FIG. 146	M-5041	---	P-1012S	AS RS 5/8*
H-FLW062EG	AS 209 5/8	H-THR037	FIG. 146	M-5044	---	P-1023	AS NS 3/4*
H-FLW075EG	AS 209 3/4	H-THR044	FIG. 146	M-5048	---	P-1023S	AS RS 3/4*
H-FMS025062EG	---	H-THR050	FIG. 146	M-5052	---	P-1024	AS NS 7/8*
H-FMS031100EG	---	H-THR062	FIG. 146	M-5054	---	P-1024S	AS RS 7/8*
H-FMS050100EG	---	H-THR075	FIG. 146	M-5057	---	P-1026	AS 603
H-HCS025044EG	---	H-THR087	FIG. 146	M-5060	---	P-1028	AS 712
H-HCS025075EG	AS 6024 1/4X3/4	H-THR100	FIG. 146	P-004TO08	AS 004 OD	P-1029	AS 713
H-HCS025150EG	AS 6024 1/4X11/2	H-THR011	---	P-006TO10	AS 006 ODN	P-1031	AS 714
H-HCS031125EG	---	J-1205	FIG. 67	P-010T014	AS 010 ODN	P-1033	AS 715*
H-HCS037075EG	AS 6024 3/8X3/4	J-1205-N	FIG. 67	P-012T016	AS 012 ODN	P-1034	---
H-HCS037087EG	---	J-1207-N	FIG. 67	P-014T018	AS 014 ODN	P-1035	---
H-HCS037100EG	AS 6024 3/8 X 1	J-1210	FIG. 67	P-014N018	AS 014 P	P-1036	AS 718
H-HCS037125EG	AS 6024 3/8 X 11/4	J-1210-N	FIG. 67	P-016T020	AS 016 OD	P-1037	AS 720 L
H-HCS037150EG	AS 6024 3/8 X 11/2	J-1212-N	FIG. 67	P-0266N03	AS 026 ODN	P-1038	AS 720 R
H-HCS037200EG	AS 6024 3/8 X 2	J-1220-N	FIG. 67	P-018T022	AS 018 ODN	P-1043A	AS 721
H-HCS037225EG	AS 6024 3/8X21/4	J-1225-N	FIG. 67	P-020T024	AS 020 OD	P-1044	---
H-HCS037250EG	---	J-12303	FIG. 67	P-021N026	AS 021 P	P-1045	AS 611
H-HCS050094EG	AS 6024 1/2X1*	J-1230-N	FIG. 67	P-022T026	AS 022 ODN	P-1046-A	AS 677*
H-HCS050119EG	AS 6024 1/2X11/4*	J-1235-N	FIG. 67	P-024T028	AS 24 OD	P-1047	AS 613
H-HCS050150EG	AS 6024 1/2 X 11/2	J-1240	FIG. 67	P-027N032	AS 027 P	P-1048	AS 687 A
H-HCS050175EG	AS 6024 1/2X13/4	J-1240-N	FIG. 67	P-028N032	AS 028 OD	P-1049	AS 687 B
H-HCS050200EG	AS 6024 1/2X2	J-12505	FIG. 67	P-030N034	AS030 ODP	P-1050	AS 687 C
H-HCS050225EG	AS 6024 1/2X21/4	J-1260	FIG. 67	P-032N036	AS 032 OD	P-1063	AS 619 3/8
H-HCS050250EG	AS 6024 1/2X21/2	J-1260-N	FIG. 67	P-034N040	AS 034 OD	P-1064	AS 619 1/2
H-HXN025EG	AS 83 1/4	J-1280	---	P-038N044	AS 038 ODP	P-1065	AS 601
H-HXN031EG	---	J-1280-N	---	P-042N048	AS 042 OD	P-1066	AS 602
H-HXN037EG	AS 83 3/8	J-J-1207	---	P-046N052	AS 046 ODP	P-1067	AS 888
H-HXN050EG	AS 83 1/2	J-I212	---	P-050NO56	AS 050 OD	P-1068	AS 604
H-HXN062EG	AS 83 5/8	J-I215	---	P-056N062	AS 056 ODP	P-106N114	---
H-LKW025EG	AS 211 1/4	J-I215-N	---	P-064N072	AS 064 ODP	P-1075	AS 708
H-LKW031EG	---	J-I220	---	P-066N074	AS 066 OD	P-1100	AS 210
H-LKW037EG	AS 211 3/8	J-I225	---	P-072N080	AS 072 ODP	P-1100-6KO	AS 210 KO
H-LKW050EG	AS 211 1/2	J-I235	---	P-082N090	AS 082 OD	P-1100-HS	AS 210 H
H-LKW062EG	AS 211 5/8	J-I250-N	---	P-089N096	AS 089 P	P-1100-SL	AS 210 S
H-LKW075EG	AS 211 3/4	K-2099	---	P-08T012	AS 008 ODN	P-1100-SS	AS 210 SS
H-PFS031075EG	---	K-2100	---	P-098N106	AS 098 OD	P-1100-T	AS 210 EH
H-PFS031125EG	---	M-2037	---	P-1000	AS 200	P-1101	AS 210 BTB
H-PFS031150EG	---	M-2050	---	P-1000-6KO	AS 200 KO	P-1101-A	AS 210 STS
H-PFS031225EG	---	M-2137	AS 203 3/8	P-1000-DS	---	P-1101-B	AS 210 STSR
H-RCN025	FIG. 135	M-2150	AS 203 1/2	P-1000-EA	AS 200 ALM	P-1101-C	AS 210 BTS
H-RCN031	FIG. 135	M-2250	---	P-1000-H3	AS 200 H3	P-1109	AS 1100 3/8
H-RCN037	FIG. 135	M-2350	---	P-1000-HS	AS 200 H	P-1111	AS 1100 1/2
H-RCN044	FIG. 135	M-24	FIG. 285	P-1000-SL	AS 200 S	P-1112	AS 1100 3/4
H-RCN050	FIG. 135	M-2506	FIG. 285	P-1000-SS	AS 200 SS	P-1113	AS 1101 1
H-RCN062	FIG. 135	M-2508	FIG. 285	P-1000-T	AS 200 EH	P-1114	AS 1100 1 1/4
H-RCN075	FIG. 135	M-2510	FIG. 285	P-1001	AS 200 BTB	P-1115	AS 1100 1 1/2
H-RCN087	FIG. 135	M-2512	FIG. 285	P-1001-3	AS 200 BTBF	P-1117	AS 1100 2
H-RCN100	FIG. 135	M-2523	---	P-1001-B3	AS 200 STS 3	P-1118	AS 1100 2 1/2
H-RMS025050EG	---	M-2524	---	P-1001-A	AS 200 STS	P-1119	AS 1100 3
H-RMS025075EG	---	M-26	---	P-1001-A3	AS 200 BTBS 3	P-1120	AS 1100 31/2
H-RMS025100EG	---	M-2708	---	P-1001-B	AS 200 STSR	P-1121	AS 1100 4
H-RMS031100EG	---	M-2710	---	P-1001-C	AS 200 BTS	P-1123	AS 1100 5
H-RMS031125EG	---	M-2712	---	P-1001-C3	AS 200 BTB 3	P-1124	AS 1100 6
H-RMS037100EG	---	M-2723	---	P-1001-C41	AS 200 BTB 4	P-1126	AS 1100 8
H-RMS037125EG	---	M-2724	---	P-1001-D3	AS 200 BTB 3	P-1130	AS 689 A
H-RMS037150EG	---	M-2808	---	P-1001-EA	AS 200 BTB ALM	P-1131	AS 689 B
H-RTS008087CP	---	M-2810	---	P-1001-K	---	P-1180	---
H-SH025050EG	---	M-2812	---	P-1003	AS 200 ALM	P-1180-W	---
H-SHS025062EG	---	M-2823	---	P-1004-A	AS 200 ALM	P-1184	---

* Comparable with some deviation in dimension or configuration.

B-LINE
ERISTRUT
GLOBE
HAYDON
KINDORF
PHD
POWER-STRUT
SUPERSTRUT
TOLSTRUT
UNISTRUT

Anvil-Strut™ Cross Reference Guide

UNISTRUT

Unistrut Number	Anvil-Strut Number	Unistrut Number	Anvil-Strut Number	Unistrut Number	Anvil-Strut Number	Unistrut Number	Anvil-Strut Number
P-1186	AS 624	P-1498	AS 763	P-1788-C	---	P-2027	AS 1200 5/8
P-1201	AS 2401	P-1499	AS 764	P-1789	---	P-2028	AS 1200 3/4
P-1202	AS 2402	P-1538-A	AS 921 A	P-1789-A	---	P-2029	AS 1200 7/8
P-1203	AS 2403	P-1538-B	AS 921 B	P-1789-B	---	P-2030	AS 1200 1
P-1204	AS 2404	P-1538-C	AS 921 C	P-1789-C	---	P-2031	AS 1200 1 1/8
P-1205	AS 2405	P-1538-D	AS 921 D	P-1790	---	P-2032	AS 1200 1 1/4
P-1206	AS 2406	P-1546	AS 633 45	P-1790-A	---	P-2033	AS 1200 1 3/8
P-1207	AS 2407	P-1563	AS 3138 3/8	P-1790-B	---	P-2034	AS 1200 1 1/2
P-1208	AS 2408	P-1564	AS 3138 1/2	P-1790-C	---	P-2037	AS 1200 1 7/8
P-1211	AS1300 1/2	P-1565	AS 3138 3/4	P-1791	---	P-2038	AS 1200 2
P-1212	AS1300 3/4	P-1566	AS 3138 1	P-1791-A	---	P-2039	AS 1200 2 1/8
P-1213	AS1300 1	P-1567	AS 3138 1 1/4	P-1791-B	---	P-2040	AS 1200 2 1/4
P-1214	AS1300 1 1/4	P-1568	AS 3138 1 1/2	P-1791-C	---	P-2042	AS 1200 2 1/2
P-1215	AS1300 1 1/2	P-1569	AS 3138 2	P-1792	---	P-2043	AS 1200 2 5/8
P-1217	AS1300 2	P-1570	AS 3138 2 1/2	P-1792-A	---	P-2044	AS 1200 2 3/4
P-1271-S	AS 684	P-1571	AS 3138 3	P-1792-B	---	P-2046	AS 1200 3
P-1272S	AS 913	P-1572	AS 3138 3 1/2	P-1792-C	---	P-2047	AS 1200 3 1/8
P-1280	AS 655*	P-1573	AS 3138 4	P-1793	---	P-2048	AS 1200 3 1/4
P-1280-A	---	P-1579	AS 614	P-1793-A	---	P-2049	AS 1200 3 3/8
P-1280-EA	---	P-1593	AS 3164	P-1793-B	---	P-2051	AS 1200 3 5/8
P-1280-W	AS 655	P-1648-S	AS 858 1/4	P-1793-C	---	P-2052	AS 1200 3 3/4
P-1281	AS 2144 3	P-1649-AS	AS 858 3/8	P-1794	---	P-2053	AS 1200 3 7/8
P-1282	AS 2144 31/2	P-1649-S	---	P-1794-A	---	P-2055	AS 1200 4 1/8
P-1283	AS 2144 4	P-1650-AS	AS 858 3/8	P-1794-B	---	P-2056	AS 1200 4 1/4
P-1290	---	P-1650-S	AS 858 3/8	P-1794-C	---	P-2059	AS 1200 4 3/8
P-1291	---	P-1651-AS	---	P-1795	---	P-2059	AS 1200 4 5/8
P-1315	---	P-1651-S	AS 858 1/2	P-1795-A	---	P-2060	AS 1200 4 3/4
P-1320	---	P-1652-S	AS 858 5/8	P-1795-B	---	P-2061	AS 1200 4 7/8
P-1325	AS 607	P-1653-S	---	P-1796-S	AS 855 1	P-2062	AS 1200 5
P-1326	AS 606	P-1654-A	---	P-1821	AS 715	P-2063	AS 1200 5 1/8
P-1331	---	P-1655-A	---	P-1822	AS 720 R	P-2064	AS 1200 5 1/4
P-1332	---	P-1656-A	AS 871 10	P-1823	AS 721 L	P-2065	AS 1200 5 3/8
P-1334	AS 744	P-1657-A	AS 871 12	P-1834	AS 2528	P-2066	AS 1200 5 1/2
P-1346	AS 745	P-1658-A	AS 871 16	P-1834-A	AS 2528 1	P-2067	AS 1200 5 5/8
P-1347	---	P-1659-A	AS 871 10	P-1843	PS 9402	P-2068	AS 1200 5 3/4
P-1354	AS 9404	P-1660-A	AS 871-12	P-1873	AS 2190	P-2069	AS 1200 5 7/8
P-1356	AS 925	P-1661-A	AS 871 16	P-1887	AS 3040	P-2070	AS 1200 6
P-1357	---	P-1690	---	P-1924	AS 620	P-2070-61	AS 1200 6 1/8
P-1358	AS 747	P-1691	---	P-1925	AS 602	P-2070-62	AS 1200 6 1/4
P-1359	AS 748	P-1692	---	P-1934	---	P-2070-63	AS 1200 6 3/8
P-1363	AS 993	P-1693	---	P-1941	AS 889	P-2070-64	AS 1200 6 1/2
P-1363-A	AS 933 4	P-1694	---	P-1944	AS 2421	P-2070-66	AS 1200 6 3/4
P-1363-B	AS 933 5	P-1695	---	P-1950	AS 2112	P-2070-67	AS 1200 6 7/8
P-1363-C	AS 933 6	P-1696	---	P-1953	---	P-2070-70	AS 1200 7
P-1363-D	AS 933 7	P-1697	---	P-1956	---	P-2070-71	AS 1200 7 1/8
P-1363-E	AS 933 8	P-1703	---	P-1957	---	P-2070-72	AS 1200 7 1/4
P-1376	AS 631	P-1704	---	P-1959	---	P-2070-73	AS 1200 7 3/8
P-1376-A	AS 629	P-1713	---	P-1960	---	P-2070-75	AS 1200 7 5/8
P-1377	AS 616	P-1723	---	P-1961	---	P-2070-76	AS 1200 7 3/4
P-1379-S	AS 685	P-1726	AS 854	P-1964	AS 619 5/8	P-2070-77	AS 1200 7 7/8
P-1380	AS 750	P-1727	AS 927	P-1973	---	P-2070-80	AS 1200 8
P-1380-A	AS 719	P-1728	AS 927*	P-1985-S	AS 998	P-2070-81	AS 1200 8 1/8
P-1381	---	P-1730	---	P-1986-S	---	P-2070-82	AS 1200 8 1/4
P-1382	---	P-1732	---	P-2000	---	P-2070-83	AS 1200 8 3/8
P-1383	AS 2119	P-1734	---	P-2000-HS	---	P-2070-84	AS 1200 8 1/2
P-1386	AS 686	P-1736	AS 2054*	P-2000-KO	---	P-2072	AS 3013
P-1425	AS 1000 3/8	P-1737	AS 679	P-2000-T	---	P-2072-A	AS 3033
P-1426	AS 1000 1/2	P-1747	AS 3049	P-2001	---	P-2073	AS 3029
P-1427	AS 1000 3/4	P-1750	AS 2545	P-2001-A	---	P-2073-A	AS 3064
P-1428	AS 1000 1	P-1753-FG	---	P-2001-B	---	P-2079	---
P-1429	AS 1000 1 1/4	P-1754-FG	---	P-2001-C	---	P-2094	AS 633 82 1/2*
P-1430	AS 1000 1 1/2	P-1769	AS 732 8	P-2008	AS 1450 1/4	P-2095	AS 633 75*
P-1431	AS 1000 2	P-1771	AS 732 10	P-2009	---	P-2096	AS 633 67 1/2*
P-1453	---	P-1773	AS 732 12	P-2010	AS 1450 3/8	P-2097	AS 633 60*
P-1454	AS 609	P-1775	AS 732 14	P-2012	AS 1450 1/2	P-2098	AS 633 52 1/2*
P-1455	---	P-1777	AS 732 16	P-2014	AS 1450 5/8	P-2099	AS 633 45*
P-1458	AS 605	P1787-A	---	P-2016	AS 1450 3/4	P-2100	AS 633 37 1/2*
P-1479A	AS 3060 4	P1787-B	---	P-2018	AS 1450 7/8	P-2101	AS 633 30*
P-1479B	AS 3060 5	P1787-C	---	P-2020	AS 1450 1	P-2102	AS 633 22 1/2*
P-1479C	AS 3060 6	P-1788	---	P-2024	AS 1200 1/4	P-2103	AS 633 15*
P-1479D	AS 3060 7	P-1788-A	---	P-2025	AS 1200 3/8	P-2104	AS 633 7 1/2*
P-1479E	AS 3060 8	P-1788-B	---	P-2026	AS 1200 1/2	P-2105	AS 624 82 1/2*

* Comparable with some deviation in dimension or configuration.

Unistrut Number	Anvil-Strut Number	Unistrut Number	Anvil-Strut Number	Unistrut Number	Anvil-Strut Number	Unistrut Number	Anvil-Strut Number
P-2106	AS 624 75*	P-2429	---	P-2543	AS 809 18	P-2756	---
P-2107	AS 624 67 1/2*	P-2430	---	P-2544	AS 809 24	P-2757	---
P-2108	AS 624 60*	P-2431	---	P-2545	AS 809 30	P-2761	---
P-2109	AS 624 52 1/2*	P-2452	AS 926 18*	P-2546	AS 809 36	P-2762	---
P-2110	AS 624 37 1/2*	P-2453	---	P-2552	---	P-2763	---
P-21-F	---	P-2454	---	P-2557	---	P-2764	---
P-2223	AS 665	P-2458-18	---	P-2558-05	AS 3126 1/2	P-2765	---
P-2224	AS 666	P-2458-24	---	P-2558-07	AS 3126 3/4	P-2785	AS 2651 T1
P-2225	AS 667	P-2458-30	---	P-2558-10	AS 3126 1	P-2786	AS 2651 T2
P-2226	---	P-2458-36	---	P-2558-12	AS 3126 1 1/4	P-2810	---
P-2227	AS 668	P-2459-36	---	P-2558-15	AS 3126 1 1/2	P-2811	---
P-2228	---	P-2459-42	---	P-2558-20	AS 3126 2	P-2812	---
P-2229	AS 669	P-2459-48	---	P-2558-25	AS 3126 2 1/2	P-2813	---
P-2230	AS 669*	P-2459-54	---	P-2558-30	AS 3126 3	P-2814	---
P-2231	AS 661 T1 6	P-2459-60	---	P-2558-35	AS 3126 3 1/2	P-2815	AS 9400
P-2231-A	AS 661 T2 6	P-2459-72	---	P-2558-40	AS 3126 4	P-2815-D	AS 9401
P-2232	AS 661 T1 12	P-2459-84	---	P-2558-50	AS 3126 5	P-2820	---
P-2232-A	AS 661 T2 12	P-2459-96	---	P-2558-60	AS 3126 6	P-2821	---
P-2233	AS 661 T1 18	P-2469	---	P-2571	---	P-2822	---
P-2233-A	AS 661 T2 18	P-2470-100	---	P-2573	---	P-2823	---
P-2234	AS 661 T1 24	P-2470-50	---	P-2575	---	P-2824 12	AS 2626 12
P-2234-A	AS 661 T2 24	P-2470-75	---	P-2584	---	P-2824 6	AS 2626 6
P-2235	AS 615	P-2471	AS 619 3/4	P-2585	---	P-2824 9	AS 2626 9
P-2237	---	P-2472-R-L	---	P-2600	AS 3792	P-2855	---
P-2243	---	P-2473	AS 678	P-2609	---	P-2856	---
P-2245	---	P-2474	AS 1901	P-2611	---	P-2857	---
P-2280	---	P-2474-1	AS 1902 21/2	P-2612	---	P-2860-10	AS 6153 2
P-2280-A	---	P-2474-2	AS 1902 4	P-2613	---	P-2860-33	AS 6153
P-2280-W	---	P-2474-3	AS 1902 8	P-2614	---	P-2860-55	AS 6153 1
P-2324	AS 617	P-2474-4	AS 1902 10	P-2615	---	P-2862	AS 2504 1/4
P-2325	AS 618	P-2475	AS 815	P-2617	---	P-2863	AS 2504 3/8
P-2326	AS 733	P-2476	AS 816	P-2626	AS 806	P-2864	AS 2504 1/2
P-2328	---	P-2481	---	P-2645-A	---	P-2865 10	---
P-2329	AS 735	P-2482	---	P-2645-B	---	P-2865 15	---
P-2341-R-L	AS 922 R L*	P-2484	AS 3373	P-2645-C	---	P-2865 20	---
P-2343-R-L	AS 2128 R L*	P-2484-W	AS 3373	P-2645-D	---	P-2867	AS 2656 T1 21/2 6
P-2344-R-L	AS 923 R L*	P-2490	AS 619 7/8	P-2645-E	---	P-2867-A	AS 2656 T2 21/2 6
P-2345	AS 923*	P-2491-R-L	AS 838 RL 6	P-2645-F	---	P-2868	AS 2657 T1 21/2 6
P-2346	PS 821*	P-2492-R-L	AS 838 RL 8	P-2645-G	---	P-2868-A	AS 2657 T2 21/2 6
P-2347	PS 913*	P-2493-R-L	AS 838 RL 10	P-2645-H	---	P-2869	---
P-2348	AS 945	P-2494-R-L	AS 838 RL 12	P-2647-A	---	P-2900	---
P-2354-L	AS 825 L	P-2495-R-L	AS 838 RL 14	P-2647-B	---	P-2901	---
P-2354-R	AS 825 R	P-2496-R-L	AS 838 RL 16	P-2647-C	---	P-2902	---
P-2355-R-L	---	P-2497-R-L	AS 838 RL 18	P-2647-D	---	P-2903	---
P-2360	AS 2532	P-2498-R-L	AS 838 RL 20	P-2647-E	---	P-2920	---
P-2378-1	AS 517 1/4X1*	P-2499-R-L	AS 838 RL 22	P-2647-F	---	P-2921	---
P-2378-2	AS 517 1/4X1/4*	P-2500-R-L	AS 838 RL 24	P-2649-A	---	P-2922	---
P-2378-3	AS 517 1/4X11/2*	P-2501-R-L	AS 838 RL 26	P-2649-B	---	P-2923	---
P-2379-1	---	P-2502-R-L	AS 838 RL 28	P-2649-C	---	P-2924	---
P-2379-2	---	P-2503-R-L	AS 838 RL 30	P-2649-D	---	P-2928	---
P-2379-3	---	P-2513	---	P-2649-E	---	P-2929	---
P-2380-1	AS 517 1/4X1*	P-2513-A	---	P-2649-F	---	P-2930	---
P-2380-2	AS 517 3/8X11/4*	P-2514	---	P-2649-G	---	P-2932	---
P-2380-3	AS 517 3/8X11/2*	P-2514-A	---	P-2649-H	---	P-2940	---
P-2380-4	AS 517 3/8X11/2*	P-2515	---	P-2655	AS 2422	P-2949	AS 2521
P-2380-5	AS 517 3/8X 2*	P-2515-A	---	P-2661	---	P-2950	AS 2522
P-2380-6	AS 517 3/8X 2*	P-2516	---	P-2662	---	P-3000	AS 300
P-2381-2	AS 517 1/2X1*	P-2516-A	---	P-2674	AS 2623*	P-3000-6KO	AS 300 KO
P-2381-3	AS 517 1/2X11/4*	P-2521-100	---	P-2675	AS 2622*(4)	P-3000-HS	AS 300 H
P-2381-4	AS 517 1/2X11/2*	P-2521-50	AS 2511 21/2	P-2676	AS 2622*	P-3000-SL	AS 300 S
P-2381-5	AS 517 1/2X11/2*	P-2521-75	AS 2511 23/4	P-2677	AS 2623*	P-3000-T	AS 300 EH
P-2381-6	AS 517 1/2X2*	P-2522	---	P-2679-4	---	P-3001	AS 300 BTB
P-2381-7	AS 517 1/2X2*	P-2534-50	---	P-2679-6	---	P-3006-0832	AS NS 8-32
P-2382-2	---	P-2534-75	---	P-2679-8	---	P-3006-1024	ASNS 10-24
P-2382-3	---	P-2535	AS 2560 1/2*	P-2682	---	P-3006-1420	ASNS 1/4
P-2398-S	---	P-2536	AS 2561 13/4*	P-2749	---	P-3007	ASNS 5/16
P-2401-S	AS 856 3/8	P-2537	---	P-2749-N	---	P-3008	ASNS 3/8
P-2403-S	AS 865 1/2	P-2539	---	P-2750	AS 2525	P-3009	---
P-2407	AS 655	P-2540	---	P-2750	---	P-3010	ASNS 1/2
P-2426	---	P-2540-A	---	P-2750-N	---	P-3013	ASNS S 1/2
P-2427	---	P-2541	AS 2626	P-2750-N	---	P-3016-0632	---
P-2428	---	P-2542	AS 809 12	P-2755	---	P-3016-0832	---

* Comparable with some deviation in dimension or configuration.

B-LINE
ERISTRUT
GLOBE
HAYDON
KINDORF
PHD
POWER-STRUT
SUPERSTRUT
TOLSTRUT
UNISTRUT

Anvil-Strut™ Cross Reference Guide

UNISTRUT

Unistrut Number	Anvil-Strut Number	Unistrut Number	Anvil-Strut Number	Unistrut Number	Anvil-Strut Number	Unistrut Number	Anvil-Strut Number
P-3016-1024	---	P-3411	---	P-5506-0832	---	P-6356-A	---
P-3016-1420	---	P-3412	---	P-5506-1024	---	P-6357	---
P-3045	AS 711	P-3413	---	P-5506-1420	AS LS 1/4	P-6358-A	---
P-3047	AS 710	P-3414	---	P-5507	---	P-6359	---
P-3087	AS 2654	P-3415	---	P-5508	AS LS 3/8	P-6376	---
P-3116-125	---	P-3417	---	P-5509	---	P-6376-A	---
P-3165	---	P-3521	AS 2511	P-5510	AS LS 1/2	P-6377	---
P-3170	---	P-3539	---	P-5510-U	---	P-6379-S	---
P-3184	AS 707	P-3663	---	P-5521-100	---	P-6380	---
P-3184-EA	---	P-3703	AS 654*(9)	P-5521-50	---	P-6380-A	---
P-3184-F	---	P-3704	AS 653*	P-5521-75	---	P-6381	---
P-3245	FIG. 285	P-3712-P	AS 6151	P-5537	---	P-6382	---
P-3245-N4	FIG. 285	P-3754	---	P-5539	---	P-6386	---
P-3245-N6	FIG. 285	P-3922	---	P-5543	---	P-6453	---
P-3249	AS 349 3"	P-3923	---	P-5545	AS 2601	P-6454	---
P-3250	AS 349 4"	P-3924	---	P-5547	AS 2648	P-6455	---
P-3251	AS 349 6"	P-3925	---	P-5560	---	P-6458	---
P-3251-50	AS 2511 31/2	P-3926	---	P-5580	AS 2580	P-6546	---
P-3252	AS 349 8"	P-4000	AS 560	P-5580-EA	---	P-6579	---
P-3253	AS 349 1' 0"	P-4000 EA	AS 560 BTB	P-5580-W	AS 2580	P-6728	---
P-3254	AS 349 1' 4"	P-4000 HS	AS 560 H	P-6000	---	P-6737	---
P-3255	AS 349 1' 8"	P-4000 SL	AS 560 S	P-6000-EA	---	P-6758	---
P-3256	AS 349 2' 0"	P-4000 SS	---	P-6000-SS	---	P-6805	---
P-3257	AS 349 2' 8"	P-4000 T	AS 560 EH	P-6001	---	P-6806	---
P-3257-A	AS 349 3' 0"	P-4001	---	P-6001-A	---	P-6807	---
P-3258	AS 349 3' 4"	P-4001 EA	---	P-6001-B	---	P-6808	---
P-3259	AS 349 4' 0"	P-4003	---	P-6001-C	---	P-6809	---
P-3260	AS 349 5'	P-4004	---	P-6001-EA	---	P-6810	---
P-3261	AS 349 6'	P-4006-0832	AS SS 8-32	P-6006-0832	---	P-6843	---
P-3262	AS 349 7'	P-4006-1024	AS SS 10-24	P-6006-0836	---	P-6887	---
P-3263	AS 349 8'	P-4006-1420	AS SS 1/4	P-6006-1024	---	P-6917	---
P-3264	AS 349 9'	P-4007	AS SS 5/16	P-6006-1032	---	P-6918	---
P-3265	AS 349 10'	P-4008	AS SS 3/8	P-6006-1420	---	P-6924	---
P-3265	AS 449 10(8)	P-4010	AS SS 1/2	P-6026	---	P-6925	---
P-3266	AS 349 12'	P-4010-U	AS SS 1/2 SS	P-6028	---	P-6962	---
P-3267	AS 349 14'	P-4012	AS NS S 5/8	P-6031	---	P-6973	---
P-3268	AS 349 16'	P-4012-S	AS SS 5/8	P-6033	---	P-7000	---
P-3269	AS 349 18'	P-4023	AS NS S 3/4	P-6036	---	P-7000-EA	---
P-3270	AS 349 20'	P-4023-S	AS NS S 3/4	P-6037	---	P-7000-SS	---
P-3270	AS 449 20(8)	P-4043	AS 721*	P-6038	---	P-7001	---
P-3280	AS 656	P-4045	AS 928	P-6044	---	P-7001-EA	---
P-3280-W	AS 656	P-4047	AS 929	P-6045	---	P-7006-0832	---
P-3300	AS 520(6)	P-4100	AS 500	P-6047	---	P-7006-0836	---
P-3300-HS	AS 520 H(6)	P-4100-6KO	AS 500 KO	P-6048	---	P-7006-1024	---
P-3300-T	AS 520 EH(1)(6)	P-4100-HS	AS 500 H	P-6062	---	P-7006-1032	---
P-3301	AS 520BTB(7)	P-4100-SL	AS 500 S	P-6065	---	P-7006-1420	---
P-3345	AS 928	P-4100-T	AS 500 EH	P-6066	---	P-7008	---
P-3349	AS 449	P-4101	AS 500 BTB	P-6067	---	P-7009	---
P-3350	AS 449	P-4280	AS 930*	P-6068	---	P-7010	---
P-3351	AS 449	P-4280-EA	---	P-6069	---	P-7012	---
P-3352	AS 449	P-4280-W	AS 930	P-6127	---	P-7014	---
P-3353	AS 449	P-4376	AS 644	P-6128	---	P-7016	---
P-3354	AS 449	P-4376-A	AS 645	P-6129	---	P-7018	---
P-3355	AS 449	P-4377	AS 646	P-6130	---	P-7020	---
P-3356	AS 449	P-5000	AS 100	P-6184	---	P-7043	---
P-3357	AS 449	P-5000-6KO	AS 100 KO	P-6186	---	P-7045	---
P-3357-A	AS 449	P-5000-HS	AS 100 H	P-6276-A	---	P-7047	---
P-3358	AS 449	P-5000-SL	AS 100 EH	P-6280	---	P-7048	---
P-3359	AS 449	P-5000-T	AS 100 S	P-6281	---	P-7097	---
P-3360	AS 449	P-5001	AS 100 BTB	P-6282	---	P-7098	---
P-3361	AS 449	P-5021-100	---	P-6283	---	P-7100	---
P-3362	AS 449	P-5021-50	AS 2511 11/2	P-6290	---	P-7101	---
P-3363	AS 449	P-5021-75	AS 2511 13/4	P-6291	---	P-7108	---
P-3364	AS 449	P-5280	AS 902*	P-6325	---	P-7109	---
P-3365	AS 449	P-5280-W	AS 902*	P-6326	---	P-7110	---
P-3366	AS 449	P-5500	AS 150	P-6331	---	P-7280	---
P-3367	AS 449	P-5500-6KO	AS 150 KO	P-6332	---	P-7324	---
P-3368	AS 449	P-5500-EA	AS 150 ALM	P-6334	---	P-7325	---
P-3369	AS 449	P-5500-HS	AS 150 H	P-6346	---	P-7325	---
P-3370	AS 449	P-5500-SL	AS 150 EH	P-6347	---	P-7347	---
P-3380	AS 901(9)	P-5500-T	AS 150 S	P-6349	---	P-7376	---
P-3409	---	P-5501	AS 150 BTB	P-6353	---	P-7376-A	---

* Comparable with some deviation in dimension or configuration.

Unistrut Number	Anvil-Strut Number
P-7377	---
P-7601	---
P-7602	---
P-7603	---
P-7604	---
P-7605	---
P-7606	---
P-7607	---
P-7608	---
P-7609	---
P-7610	---
P-7611	---
P-7612	---
P-7613	---
P-7614	---
P-050N 56	Cushion Clamp 31/8
---	AS 23025
---	AS 23037
---	AS 23050
---	AS 23062
---	AS 23075
---	AS 23087
---	AS 23100
---	AS 23112
---	AS 23137
---	AS 23162
---	AS 23212
---	AS 24037
---	AS 24050
---	AS 24062
---	AS 24075
---	AS 24087
---	AS 24100
---	AS 24112
---	AS 24137
---	AS 24162
---	AS 24212
---	AS 24262
---	AS 24312
---	AS 24362
---	AS 24412
---	AS 26025
---	AS 26037
---	AS 26050
---	AS 26062
---	AS 26075
---	AS 26087
---	AS 26112
---	AS 26137
---	AS 26162
---	AS 26212
---	AS 26262
---	AS 26312
---	AS 26362
---	AS 26412
---	AS 28062
---	AS 28087
---	AS 28112
---	AS 28137
---	AS 28162
---	AS 28212
---	AS 28262
---	AS 28312
---	AS 28362

B-LINE
ERISTRUT
GLOBE
HAYDON
KINDORF
PHD
POWER-STRUT
SUPERSTRUT
TOLSTRUT
UNISTRUT

* Comparable with some deviation in dimension or configuration.



Corporate Offices

110 Corporate Drive, Suite 10
P.O. Box 3180
Portsmouth, NH 03802-3180
Tel: 603-422-8000
Fax: 603-422-8033
E-mail: webmaster@anvilintl.com

Anvil International Worldwide Customer Service Center

Tel: 708-885-3000
Fax: 708-534-5441

U.S. REGIONAL SERVICE CENTERS

Northern Region

Regional Distribution & Customer Service Center

SERVICING: Illinois, Indiana, Iowa, Kentucky, Michigan, Minnesota, Nebraska, North and South Dakota, Ohio, West Pennsylvania, West Virginia, Wisconsin

750 Central Avenue
University Park, IL 60484
Tel: 708-885-3000
Fax: 708-534-5441
Toll Free: 1-800-301-2701

Southern Region

Regional Distribution & Customer Service Center

SERVICING: Alabama, Arkansas, Kansas, Louisiana, Mississippi, Missouri, Oklahoma, Tennessee, Texas

1401 Valley View Lane, Suite 150
Irving, TX 75061
Tel: 972-871-1206
Fax: 972-641-8946
Toll Free: 1-800-451-4414

Eastern Region

Regional Distribution Center

SERVICING: Connecticut, Delaware, Florida, Georgia, Maine, Maryland, Massachusetts, New Hampshire, New Jersey, New York, North and South Carolina, East Pennsylvania, Rhode Island, Vermont, Virginia

800 Malleable Road
Columbia, PA 17512

Western Region

Regional Distribution Center

SERVICING: Alaska, Arizona, California, Colorado, Hawaii, Idaho, Montana, Nevada, New Mexico, Oregon, Utah, Washington, Wyoming

1385 Greg Street
Sparks, NV 89431

CANADA SERVICE CENTER

Anvil International Canada
Customer Service Center

390 Second Avenue
P.O. Box 40
Simcoe, Ontario N3Y 4K9
Tel: 519-426-4551
Fax: 519-426-5509

INTERNATIONAL SALES

Europe and Middle East Region

Rick van Meesen, *Sales Director*
The Netherlands
rvanmeesen@anvilintl.com
Tel: +31-53-5725570
Fax: +31-53-5725579
U.S. Customer Service
Tel: +1-708-885-3000
Fax: +1-708-534-5441

Mexico, Puerto Rico and Latin America

Abraham Quijada, *Sales Manager*
aquijada@anvilintl.com
Tel: +1-281-590-4600
U.S. Customer Service
Tel: +1-708-885-3000
Fax: +1-708-534-5441

BUILDING CONNECTIONS THAT LAST

