

Large Diameter Butterfly Valve with Gear Operator Model B333



The Model B333 Large Diameter Butterfly Valve provides efficient control of fluid flow in piping systems. It is a grooved-end bubble tight shut-off valve with end-to-end dimensions that meet MSS SP-67, Table 4 and a mounting pad that meets ISO 5211 for the mounting of power actuators. The valve is capable of bidirectional fluid flow at working pressures to 300 psi (20 bar) and may be positioned in any orientation.

The 14 to 24 inch (DN350 to DN600) Model B333 Butterfly Valve is configured with a worm type gear operator and consists of an epoxy powder coated ductile iron body and EPDM or Nitrile (NBR) rubber encapsulation dual-seal disc. The body and disc construction provides for increased strength and durability. The disc seal and body coating are compatible with a variety of chemicals and temperature ranges. Contact your Anvil Representative for specific recommendations on seal and coating selections.

Maximum Working Pressure: 300 psi (20 bar), non-shock cold water

Material Specifications

Valve Body & Disc

Ductile iron conforming to ASTM A536, Gr. 65-45-12 and/or to ASTM A395 Gr. 65-45-15

Stem Seals

O-Ring, EPDM

Body Coating

Epoxy powder coating, black color

Disc Encapsulation

Grade "E" EPDM, Grade "T" Nitrile (NBR)

Upper and Lower Shafts

Stainless steel conforming to ASTM A582, Type 410

Gear Operator Housing

Cast iron, conforming to ASTM A126-B

Set Screw

Cr-Mo Steel

Hex Nut

Carbon Steel

Spring Pin

Spring Steel

Seat Material:

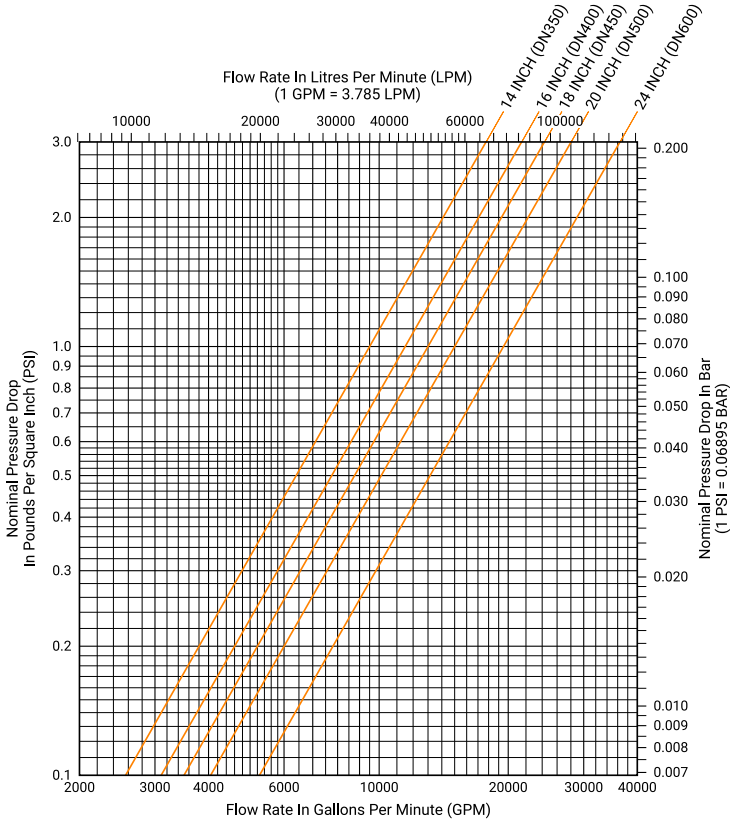
- Grade "E" EPDM – For service temperatures from -30°F to 200°F (-34°C to 93°C). Recommended for water service, dilute acids, alkalis, oil-free air, and many chemical services.
Note: Not recommended for use in petroleum services.
- Grade "T" Nitrile – For service temperatures from -20°F to 180°F (-29°C to 82°C). Recommended for petroleum products, air with oil vapors, vegetable oils, and mineral oils. They are not recommended for use in hot water services.
Note: Not recommended for use in hot water services.

Contact an ASC Engineered Solutions Sales Representative for specific recommendations on seat material.



PROJECT INFORMATION	APPROVAL STAMP
Project:	Approved
Address:	Approved as noted
Contractor:	Not approved
Engineer:	Remarks:
Submittal Date:	
Notes 1:	
Notes 2:	

Large Diameter Butterfly Valve with Gear Operator Model B333



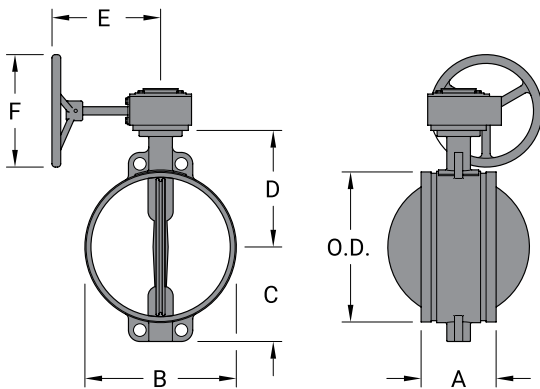
Note: For design purposes, a safety factor of 15% to 20% should be applied to the values in the above table.



asc-es.com

Building connections that last™

Large Diameter Butterfly Valve with Gear Operator Model B333



B333 Large Diameter Butterfly Valve

Valve Size	O.D.	Operating Torque	Dimensions						Approx. Wt. Ea.
			A	B	C	D	E	F	
In./mm	In./mm	In.-lb./Nm	In./mm	In./mm	In./mm	In./mm	In./mm	In./mm	Lbs./Kg
14 350	14.000 355.6	3000 339	7.00 178	14.37 365	8.82 224	10.86 276	9.5 242	12.00 305	130.0 59
16 400	16.000 406.4	4000 452	7.00 178	16.38 416	9.76 248	11.89 302	9.5 242	12.00 305	147.4 67
18 450	18.000 457.2	5500 621.5	8.00 203	18.50 470	11.14 283	13.78 350	11.40 290	16.20 412	223.5 101.4
20 500	20.000 508.0	8000 904	8.50 216	20.75 527	12.36 314	15.08 383	11.40 290	16.20 412	292.6 133.0
24 600	24.000 609.6	9500 1073.5	10.00 254	24.76 629	14.49 368	17.83 463	11.40 290	16.20 412	352.0 160.0

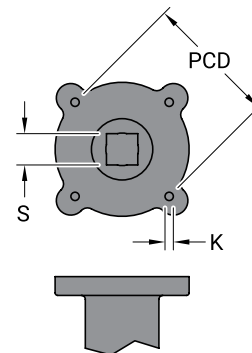
These torque values were derived from test data with non-lubricated valves in water, non-pressurized at ambient temperatures

For information on alternative sizes, contact an ASC Engineered Solutions Sales Representative.

Note: The torque values are based on liquid applications. For dry or non-lubricating applications add a 25% service factor to the above values.

Gear Operator Mounting Dimensions

Valve Size	PCD Dia.	Bolt Size K	Dimensions
			S
In./mm	In./mm	In./mm	In./mm
14 350	4.90 125	M12	0.94 24.0
16 400	5.5 140	M16	1.44 36.6
18 450	5.50 140	M16	1.736 44.1
20 500	6.50 165	M20	2.04 52.0
24 600	6.50 165	M20	2.04 52.0



asc-es.com

Building connections that last™