

PVC Butterfly Valve (Spline x Spline) Model B8200L



Material Specifications

Body

Ductile iron conforming to ASTM A536, Gr. 65-45-12

Body Coating

Black Epoxy-Coated

Disc

Ductile iron conforming to ASTM A 536, Grade 65-45-12

Disc Seal

Grade "T" Nitrile encapsulated rubber

Stem

Two-piece Type 316 Stainless Steel Splines

Stem Seal

EPDM O-rings, upper and lower stem

Handle

Zinc-plated carbon steel

Model B8200 Butterfly Valves are available in sizes 2 through 8 inch diameters. Precision machined grooves in the valve body provide easy alignment of the valve and compatible PVC couplings, allowing for the insertion of the spline to connect the Model B8200 Valve to the PVC piping system. Flow may enter the valve from either direction and valve can be orientated in any direction.

The valve efficiently controls the flow of fluid through the use of a 10-position lever lock plate that has full open, closed, and graduated intermediate locking positions. The lever handle may be pad-locked in any of the positions, including full open and closed to prevent tampering.

The valve body is constructed of ductile iron with a tough epoxy-coating. The disc is Nitrile coated ductile iron construction. The body and disc construction provide high strength and durability as well as compatibility with a wide variety of chemicals. Type 316 Stainless Steel Stems have EPDM O-rings as back-up seals.

Model B8200 Butterfly Valves have a rated working pressure of 320 psi (22 bar), which equals or exceeds the pressure rating of all components. The working temperature range of the valve is from 32°F to 140°F (0°C to 60°C).

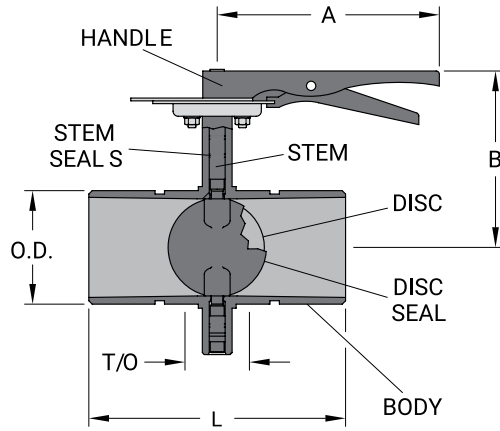
Maximum Working Pressure: 320 psi (22 bar)

Working Temperature Range: 32°F to 140°F (0°C to 60°C)



PROJECT INFORMATION	APPROVAL STAMP
Project:	Approved
Address:	Approved as noted
Contractor:	Not approved
Engineer:	Remarks:
Submittal Date:	
Notes 1:	
Notes 2:	

Low Profile Butterfly Valve Model B8101



Valve Size	O.D.	Dimensions				Approx. Wt. Ea.
		A	B	L	T/O	
In./mm	In./mm	In./mm	In./mm	In./mm	In./mm	Lbs./Kg
2	2.375	7.95	5.16	7.50	2.40	8.8
50	60.3	202.0	131.0	191.1	61.0	4.0
3	3.500	7.95	5.75	9.18	2.17	17.6
80	88.9	202.0	146.0	233.2	55.1	8.0
4	4.500	7.95	7.05	10.18	2.08	26.4
100	114.3	202.0	179.0	258.6	52.8	12.0
6	6.625	10.28	8.39	10.41	2.31	50.6
150	168.3	261.0	213.0	264.6	58.7	23.0
8	8.625	12.40	9.37	10.96	2.00	74.8
200	219.1	314.9	238.0	278.4	50.8	34.0

10" and 12" (250 and 300mm) are available upon request. Contact ASC Engineered Solutions Sales Representative.



asc-es.com

Building connections that last™