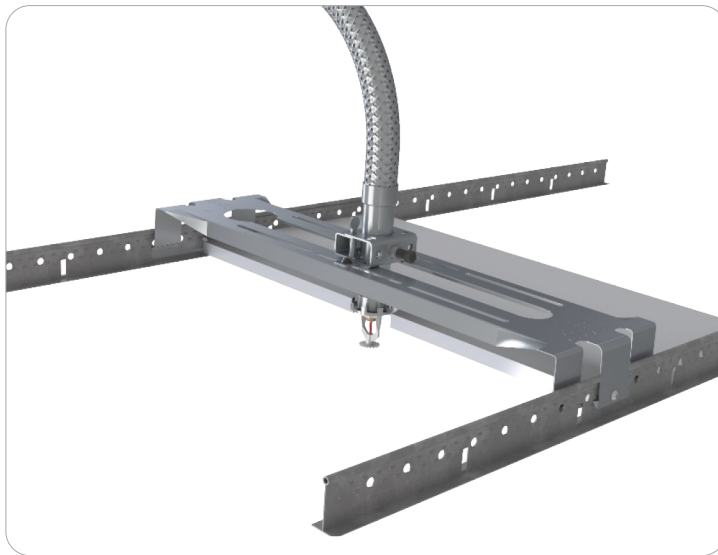


Adjustable Open Hub Bracket Fig. BKT-ADO



Product Specifications

Bracket Length

16 in 24 in 30 in 48 in

Material

Carbon Steel – Galvanized

Applications

- Suspended Ceilings per ASTM C635 & C636
- Wood Framing – Gypsum or Dry Wall
- Steel Framing – Gypsum or Dry Wall

Features

- Open hub design for ease of installation.
- Bracket hub set for Center-of-Tile installation out of the box
- Wide body prevents rotation and ensures stability
- Bracket hub infinitely adjustable between quarter and mid points

Ordering

Specify figure number, description, & length



Fig. BKT-UH03 cULus & FM Listed Hoses

Hose Figure #	cULus Listed		FM Approved			
	16"	24"	16"	24"	30"	48"
20XXT	✓	✓	✓	✓	✓	✓
20XXET	✓	✓	✓	✓	✓	✓
20XXE	✓	✓	✓	✓	✓	✓
20XXSF	✓	✓	✓	✓	✓	✓
20XXSF-CS	✓	✓	✓	✓	✓	✓
20XXSF-SLT	✓	✓	✓	✓	✓	✓
20XXSF-CS-SLT	✓	✓	✓	✓	✓	✓
20XXH			✓	✓	✓	✓
20XXHE			✓	✓	✓	✓
20XXI			✓	✓	✓	✓
20XX-DPS			✓	✓	✓	✓
20XX-DPS-DT			✓	✓	✓	✓

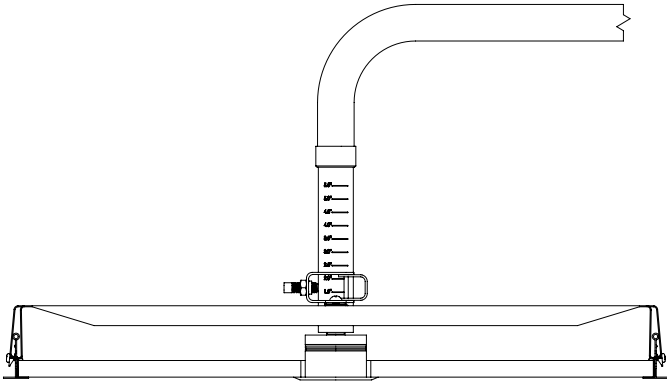
Note: Brackets are only UL Listed and FM Approved when installed with FlexHead brackets listed above.

PROJECT INFORMATION	APPROVAL STAMP
Project:	Approved
Address:	Approved as noted
Contractor:	Not approved
Engineer:	Remarks:
Submittal Date:	
Notes 1:	
Notes 2:	

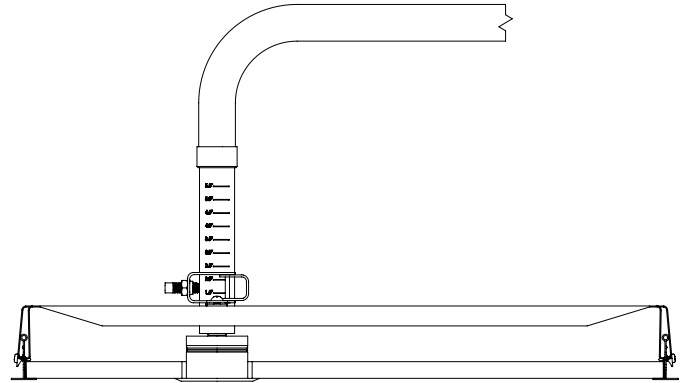
Adjustable Open Hub Bracket Fig. BKT-ADO

Applications

Suspended Ceilings

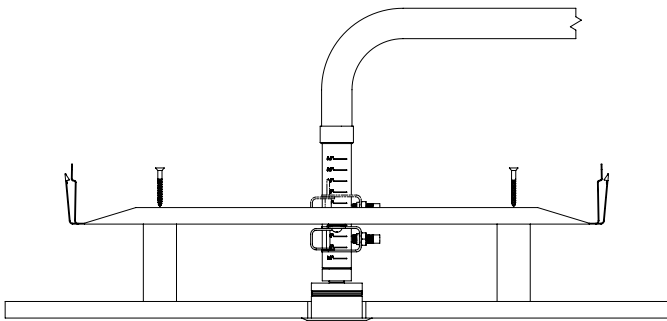


Mid Point Installation
16", 24", 30", 48" Brackets

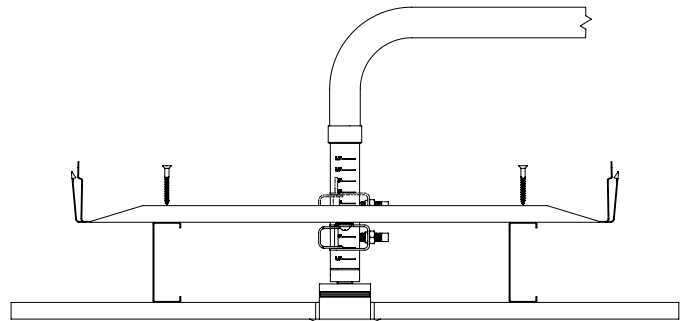


Quarter Point Installation
16", 24", 30", 48" Brackets

Wood Framing & Steel Framing – Gypsum or Dry Wall – Ceiling or Sidewall



16" On-Center Wood Frame Installation
24" Brackets



16" On-Center Steel Frame Installation
24" Brackets

Adjustable Open Hub Bracket
Fig. BKT-ADO

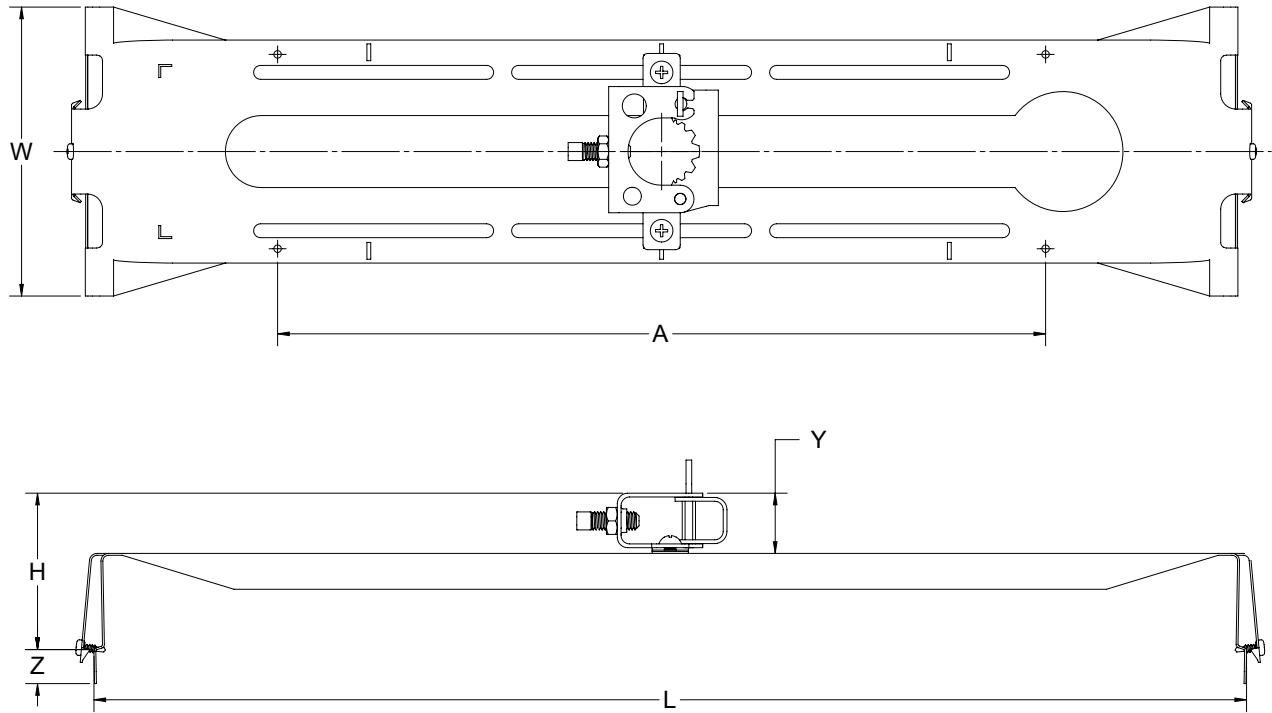


Fig. BKT-ADO Dimensions & Model Number

L	W	H	A	Y	Z	FlexHead Historical Model Number
in/mm	in/mm	in/mm	in/mm	in/mm	in/mm	
16 406.4			-			ADO16BKT3
24 609.6	6.00 152.4	3.14 79.8	16 406.4	1.13 28.7	0.75 19.1	ADO24BKT3
30 762.0			-			ADO30BKT3
48 1219.2			-			ADO48BKT3

Adjustable Open Hub Bracket Fig. BKT-ADO

Installation Instructions

Connection to Suspended Ceiling T-bar

- 1 Determine the location of the sprinkler above the suspended ceiling tile.
Position the bracket legs and hub in the desired location on suspended ceiling T-bar.
Note: The hub and self-drilling mounting screws are in the true center of the bracket.
- 2 Install one bracket leg at a time, applying a downward pressure on the bracket leg and T-bar.
- 3 Install the self-drilling mounting screw into the suspended ceiling T-bar using the tamperproof head drive provided. Repeat on both sides of the bracket.



Connection to Wood Frames or Steel Studs in Gypsum or Drywall

- 1 Determine the location of the sprinkler between the wood frames or steel studs.
- 2 Adjust the position of the bracket hub to the desired position if necessary. The hub may be placed on the top or bottom of the bracket body.
- 3 Install two (2) screws into each structural stud (wood or steel). Four (4) screws total per bracket.
 - a Wood Frames: ¼-20 Self Tapping Screw
 - b Steel Frames: ¼-20 Self Tapping Screw

Connection to the Flexible Sprinkler Hose

- 1 Open the hinge door on the bracket hub by rotating the locking shaft ¼ turn.
- 2 Slide the flexible hose drop into the hub.
- 3 Close the hinge door and re-lock the locking shaft with a ¼ turn.
- 4 Ensure the flexible hose drop is straight and not applying a substantial moment on the bracket which may cause sprinkler misalignment.
- 5 Adjust the flexible hose drop to the desired height and tighten the set screw hand-tight plus a ¾ turn (130 in-lbs).

Adjusting the Bracket Hub

- 1 Loosen the mounting screws holding the hub to the bracket body.
- 2 Slide the hub along the bracket body to the desired position and tighten the mounting screws.

General Notes

Installation & maintenance of FlexHead products shall be in accordance with applicable local and federal codes (E.g. NFPA 13, NFPA 13R, NFPA 13D, NFPA 25, FM Datasheets, IBC).