

**Fig. BKT-DPS – Dry Pipe Sprinkler Bracket**



**Fig. BKT-DPS FM Approved Hoses**

Hose Fig # & Size	1"	1 1/4"-1 1/2"
20XX-DPS 1"	✓	
20XXDT-DPS 1"	✓	
20XX-DPS 1 1/4"		✓
20XX-DPS-G 1 1/4"		✓
20XX-DPS 1 1/2"		✓
20XX-DPS-G 1 1/2"		✓

## Specifications

### Material

Carbon Steel – Galvanized

### Size

- 1" Sprinkler Barrel
- 1 1/4" or 1 1/2" Sprinkler Barrel

### Applications

- Freezers & Insulated Metal Panels

### Features

- Open hub design for ease of installation.
- Integral gasket for thermal separation.
- One bracket for 1 1/4" & 1 1/2" DPS hoses.
- Mounting hardware included

### Ordering

Specify figure number, sprinkler barrel size, & description.

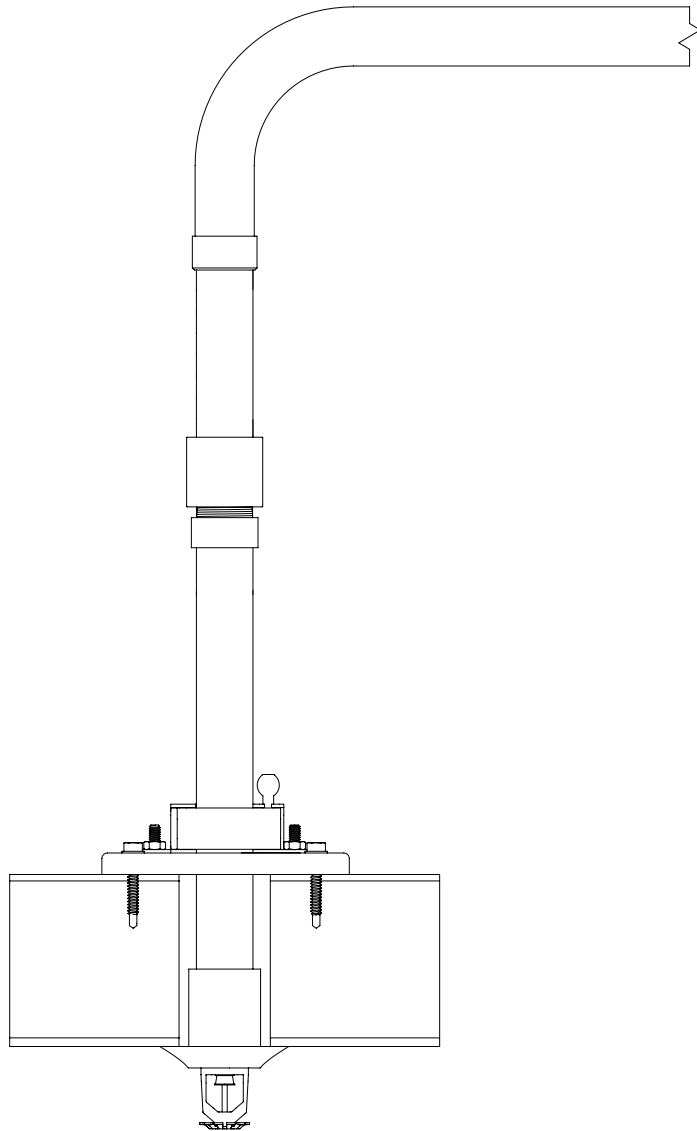


PROJECT INFORMATION	APPROVAL STAMP
Project:	Approved
Address:	Approved as noted
Contractor:	Not approved
Engineer:	Remarks:
Submittal Date:	
Notes 1:	
Notes 2:	

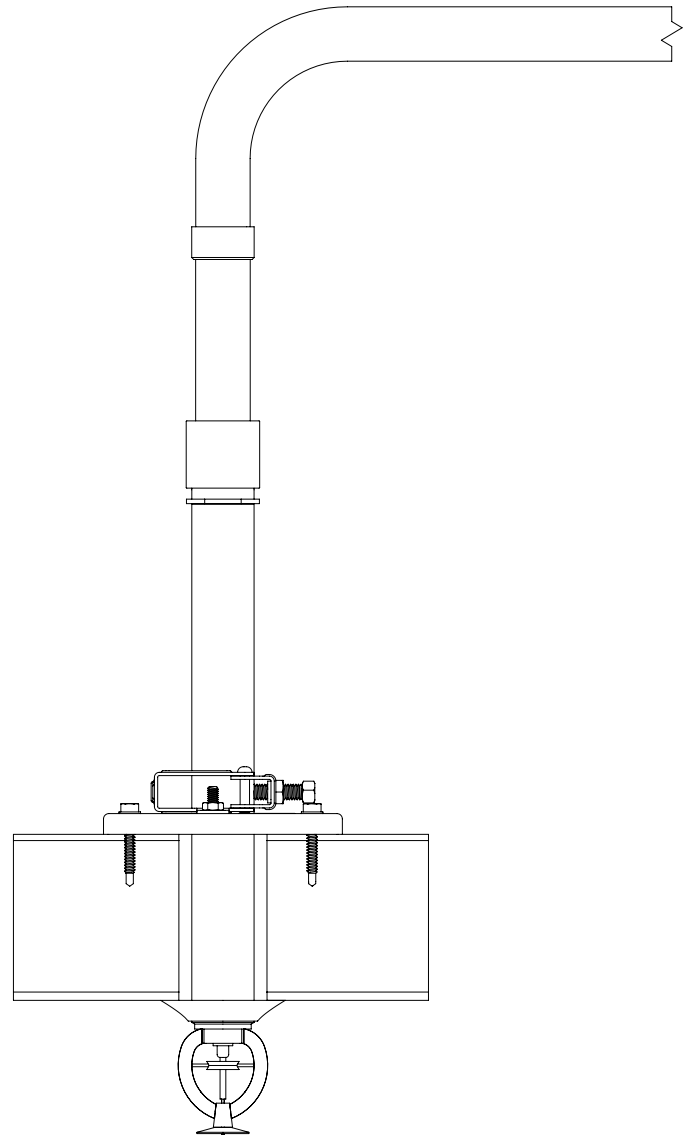
**Fig. BKT-DPS - Dry Pipe Sprinkler Bracket**

Applications

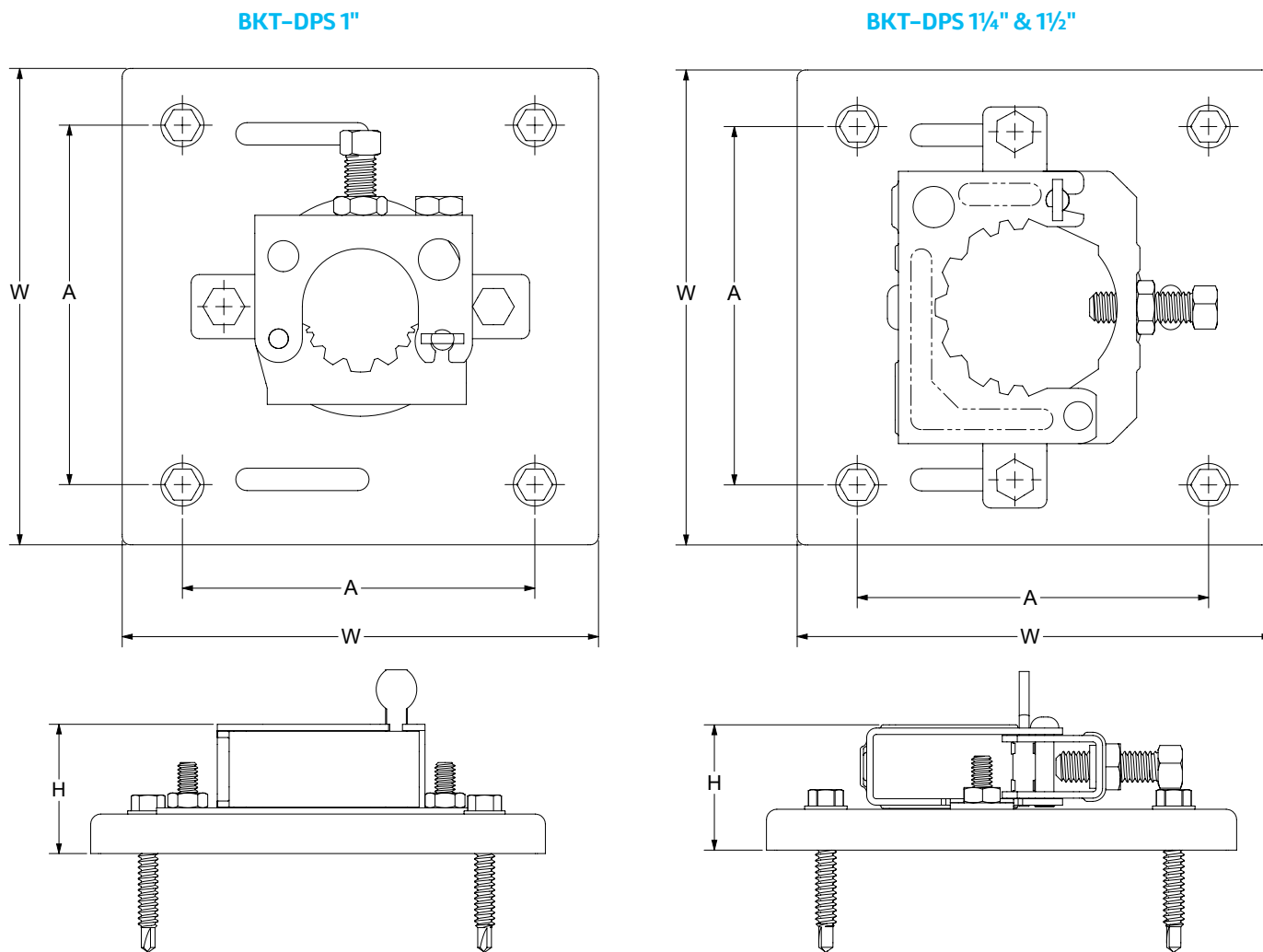
1" Freezer & Insulated Metal Panel



1¼" & 1½" Freezer & Insulated Metal Panel



**Fig. BKT-DPS – Dry Pipe Sprinkler Bracket**



**Fig. BKT-DPS Dimensions & Model Number**

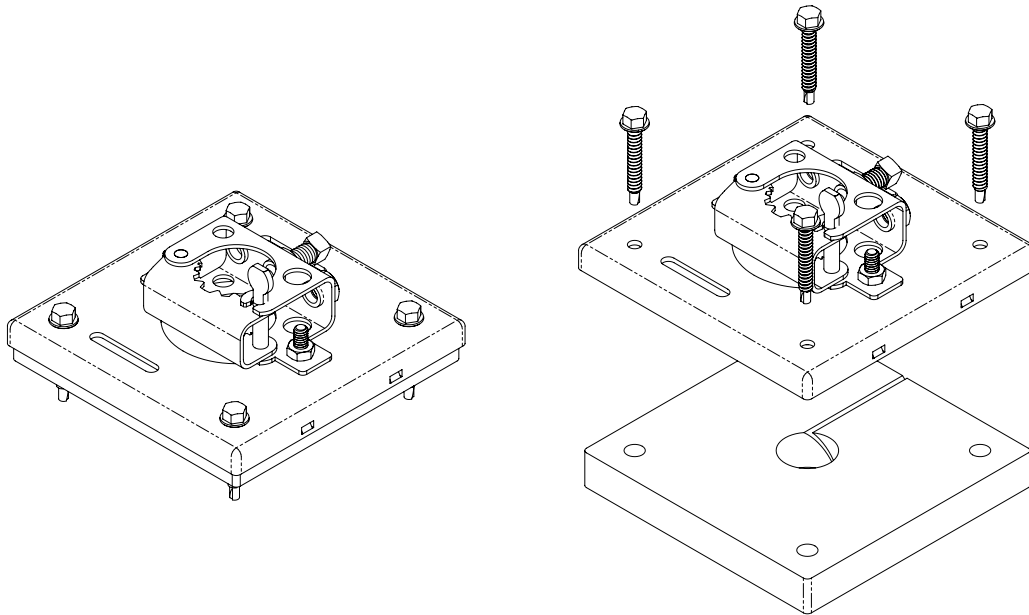
Size	W	H	A	FlexHead Historical Model Number
	in/mm	in/mm	in/mm	
1"	5.75 146.1	1.63 41.4	4.30 109.2	UH03/UH05
1¼" - 1½"	5.75 146.1	1.53 38.9	4.30 109.2	UHO4/UH05

**A BKT-DPS bracket assembly consists of the following components:**

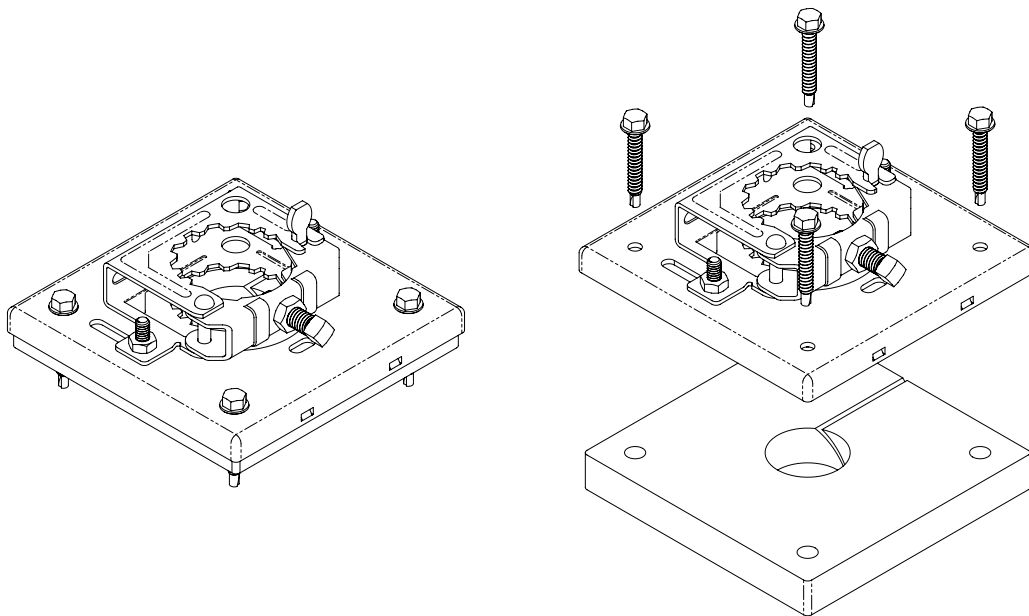
- A Bracket Hub – Marked UH03 or UH04
- A Bracket Body – Marked UH05
- A Gasket
- Four (4) Mounting Screws – ¼ x 1¾

Fig. BKT-DPS - Dry Pipe Sprinkler Bracket

BKT-DPS 1" Bracket Assembly



BKT-DPS 1/4" & 1/2" Bracket Assembly



## Fig. BKT-DPS – Dry Pipe Sprinkler Bracket

### Installation Instructions

#### Connection to the Dry Sprinkler

1. Open the hinge door on the bracket hub by rotating the locking shaft  $\frac{1}{4}$  turn.
2. Slide the dry sprinkler barrel into the hub and through the opening in the bracket body.
  - a. The hub on the  $\frac{1}{4}$  &  $1\frac{1}{2}$  BKT-DPS may slide along a track on the bracket body to center the sprinkler.
3. Close the hinge door and re-lock the locking shaft with a  $\frac{1}{4}$  turn.
4. Ensure the dry sprinkler barrel is straight and not applying a substantial moment on the bracket which may cause sprinkler misalignment.
5. Adjust the flexible hose drop to the desired height and tighten the set screw.
  - a. 1" BKT-DPS – Hand tight plus  $\frac{3}{4}$  turn.
  - b.  $1\frac{1}{4}$ " &  $1\frac{1}{2}$ " BKT-DPS – Hand tight plus  $1\frac{1}{2}$  turns.
6. Slide the gasket over the dry sprinkler barrel. The bracket body should fit over the gasket and the screw holes in the gasket and the bracket body should line up.

#### Connection to Freezers and Insulated Metal Panels

1. Position the center of the hub over the sprinkler opening and ensure the sprinkler is in the desired position.
2. Install fasteners through the screw holes in the bracket body and gasket.  
 $\frac{1}{4}$  x  $1\frac{3}{4}$  Hex Drive TEK Screw.
3. Proper installation is achieved when the bottom surface of the bracket body contacts the structure and the gasket has been compressed.
4. Once the bracket is secured, tighten the (2)  $\frac{1}{4}$ -20 locknut wrench tight to secure the hub to the bracket body.

#### Installation of Large OD Sprinklers

1. Position the center of the hub over the sprinkler opening and ensure the sprinkler is in the desired position.
2. For sprinklers with an escutcheon OD greater than  $2\frac{3}{8}$ ", the Bracket Hub will need to be removed prior to installation.
3. For sprinklers with an escutcheon OD greater than  $2\frac{1}{2}$ ", the sprinkler may need to be installed from the bottom of the opening in the Bracket Body.

#### General Notes

1. Installation & maintenance of FlexHead products shall be in accordance with applicable local and federal codes (E.g. NFPA 13, NFPA 13R, NFPA 13D, NFPA 25, FM Datasheets, IBC).