

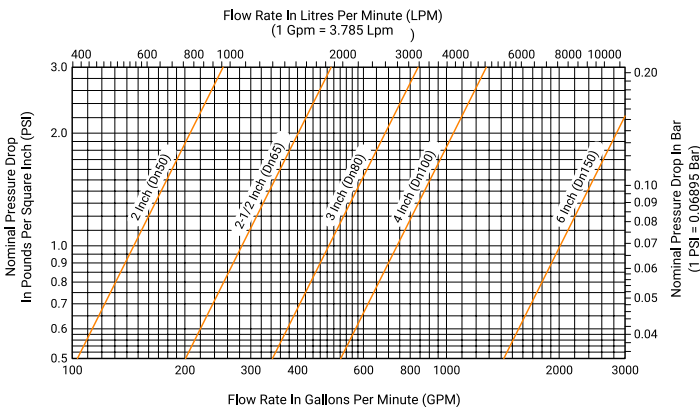
Grooved End Ball Valve with Lever Handle and Gear Operator Model BV835



The Model BV835 is a ductile iron, grooved end, regular port, two-piece ball valve that provides for efficient control of fluid in piping systems. The Model BV835 is designed and tested in conformance with MSS SP-110 and MSS SP-72. Flow may be from either direction, and the valves may be positioned in any orientation. The valves are furnished with grooved ends for use with Gruvlok grooved couplings. The handle is provided with a device for padlocking in either the open or closed position. The mounting pad is made to ISO 5211 to allow for mounting of power actuators.

Maximum Working Pressure: 1,000 psi (68.9 bar) 2" – 3" (50 – 80mm)
800 psi (55.1 bar) 4" – 6" (100 – 150mm)

Model BV835 Ball Valve Nominal Pressure Loss VS Flow



Material Specifications

Body

Ductile iron conforming to ASTM A536, Gr. 65-45-12

Body Coating

Black enamel

Body Seal

PTFE

Ball

Type 304 Stainless Steel

Ball Seat

2" - 4" - Glass-filled TFE, 6" - Carbon-filled TFE

Stem

Carbon steel, nickle-plated, Optional: Type 304 Stainless Steel

Stem O-Ring

Fluroelastomer

Stem Seal

PTFE

Lever Handle

- 2" – 3" (50 – 80mm): Carbon Steel, Zinc Plated with PVC Plastic
- 4" – 6" (100 – 150mm): Ductile Iron and Carbon Steel

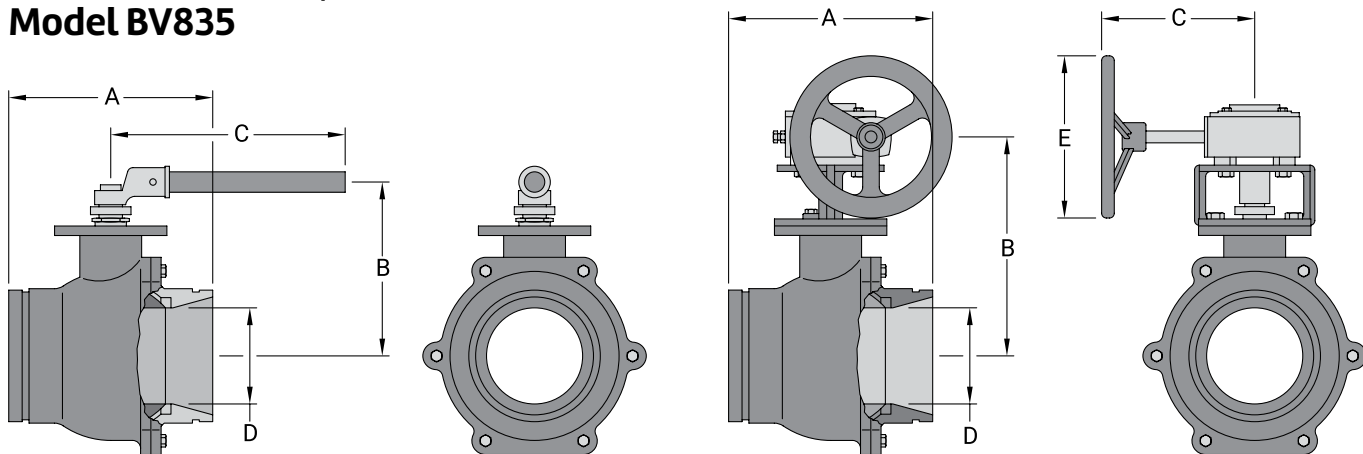
Bracket & Extension Sleeve

Ductile Iron conforming to ASTM A536, Grade 65-45-12 and/or ASTM A395, Grade 65-45-15



PROJECT INFORMATION	APPROVAL STAMP
Project:	Approved
Address:	Approved as noted
Contractor:	Not approved
Engineer:	Remarks:
Submittal Date:	
Notes 1:	
Notes 2:	

Grooved End Ball Valve with Lever Handle and Gear Operator Model BV835



BV835 Ball Valve with Lever Handle

Valve Size	O.D.	Operating Torque	Dimensions				Approx. Wt. Ea.
			A	B	C	D	
In./mm	In./mm	In.-Lbs./Nm	In./mm	In./mm	In./mm	In./mm	Lbs./Kg
2	2.375	150	5.50	3.75	7.00	1.50	6.4
50	60.3	17	140.0	95.0	178.0	38.1	2.9
2½	2.875	186	6.25	5.20	10.43	2.00	10.6
65	73	21	159.0	132.0	265.0	51.0	4.8
3	3.500	248	6.56	5.63	10.43	2.50	13.4
80	88.9	28	167.0	143.0	265.0	63.5	6.1
4	4.500	398	9.45	5.35	23.6	3.50	60.0
100	114.3	45	240.0	135.8	600.0	90.0	27.2
6	6.625	531	10.15	8.68	23.6	4.92	79.2
150	168.3	60	258.0	220.5	600.0	125.0	36.0

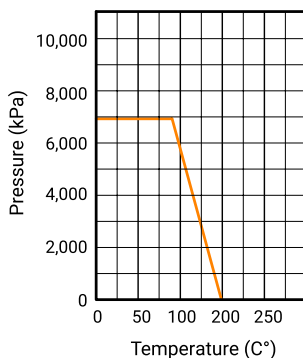
BV835 Ball Valve with Gear Operator

Valve Size	O.D.	Dimensions					Approx. Wt. Ea.
		A	B	C	D	E	
In./mm	In./mm	In./mm	In./mm	In./mm	In./mm	In./mm	Lbs./Kg
2	2.375	5.50	5.38	8.00	1.50	6.00	18.0
50	60.3	140.0	137.0	203.2	38.1	152.4	8.0
2½	2.875	6.25	5.68	8.00	2.00	6.00	22.0
65	73.0	159.0	144.2	203.2	51.0	152.4	10.0
3	3.500	6.56	7.16	8.00	2.50	6.00	31.0
80	88.9	167.0	182.0	203.2	63.5	152.4	14.0
4	4.500	9.45	8.00	8.00	3.50	6.00	73.0
100	114.3	240.0	203.2	203.2	90.0	152.4	33.0
6	6.625	10.15	10.89	14.00	4.92	12.00	123.4
150	168.3	258.0	277.0	356.0	125.0	305.0	56.0

For the first opening or closing of the valve when the valve is not continuously operated, an additional torque of 2.0 – 2.5 times the listed operating torque is normally required. For information on larger sizes, contact an ASC Engineered Solutions Sales Representative.

For information on larger sizes, contact an ASC Engineered Solutions Sales Representative.

Model BV835 Ball Valve
Pressure Performance



asc-es.com

Building connections that last™