

Building connections that last™



Fig. 67CV-A

Grooved Swing Check Valve Datasheet



SCI


An ASC Engineered Solution

Grooved Swing Check Valve

Fig. 67CV-A

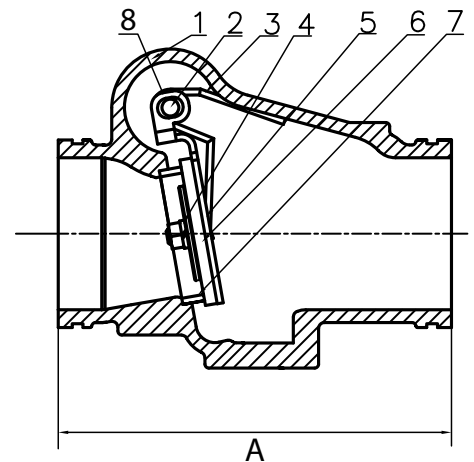


Design Features

-  Branded
 - Designed for use in wet pipe systems
 - For vertical* or horizontal installation
 - 300 psi working pressure
 - EPDM or Nitrile seal ring
 - Lead-free bronze seat
 - Groove dimensions to AWWA C-606
 - Fusion bonded epoxy coated interior & exterior
 - Color – Black
- * Upward flow only

Parts & Materials

No.	Part	Material
1	Body	Ductile Iron ASTM A536, 65-45-12
2	Hinge Pin	420 Stainless Steel
3	Spring	304 Stainless Steel
4	Spring Washer	304 Stainless Steel
5	Disc	2-½" - 4": 304 Stainless Steel 6" - 8" Ductile Iron ASTM A536, 65-45-12
6	Seal Ring	EPDM or Nitrile
7	Seat	Lead-free Bronze C89833
8	Bushing	Lead-free Bronze C89833



Dimensions

Pipe Size	Part Number		A	Weight
	Fig. 67CVE-A EDPM	Fig. 67CVN-A - NBR		
2 in/mm	67CVE3020A	67CVN3020A	6.73 171.0	5.9 2.7
2-½ 65	67CVE3024A	67CVN3024A	7.25 184.0	8.1 3.7
3 80	67CVE3030A	67CVN3030A	7.75 197.0	10.6 4.8
4 100	67CVE3040A	67CVN3040A	8.11 206.0	17.4 7.9
5 125	67CVE3050A	67CVN3050A	9.76 248.0	32.0 14.5
6 150	67CVE3060A	67CVN3060A	11.50 292.0	36.5 16.6
8 200	67CVE3080A	67CVN3080A	14.00 355.0	60.4 27.4
10 250	67CVE3100A	67CVN3100A	18.00 457.0	134.0 60.7
12 300	67CVE3120A	67CVN3120A	21.00 533.0	194.0 88.0

About ASC Engineered Solutions

ASC Engineered Solutions is defined by quality—in its products, services and support. With more than 1,400 employees, the company's portfolio of precision-engineered piping support, valves and connections provides products to more than 4,000 customers across industries, such as mechanical, industrial, fire protection, oil and gas, and commercial and residential construction. Its portfolio of leading brands includes ABZ Valve®, AFCON®, Anvil®, Anvil EPS, Anvil Services, Basic-PSA, Beck®, Catawissa, Cooplet®, FlexHead®, FPPI®, Gruvlok®, J.B. Smith, Merit®, North Alabama Pipe, Quadrant®, SCI®, Sharpe®, SlideLOK®, SPF® and SprinkFLEX®. With headquarters in Commerce, CA, and Exeter, NH, ASC also has ISO 9001:2015 certified production facilities in PA, TN, IL, TX, AL, LA, KS, and RI.



asc-es.com

Building connections that last™

FC-DS-67CV-A-v01 20211213

