

Building connections that last™



Fig. 67GBV

Grooved Ball Valve Datasheet



Grooved Ball Valve

Fig. 67GBV



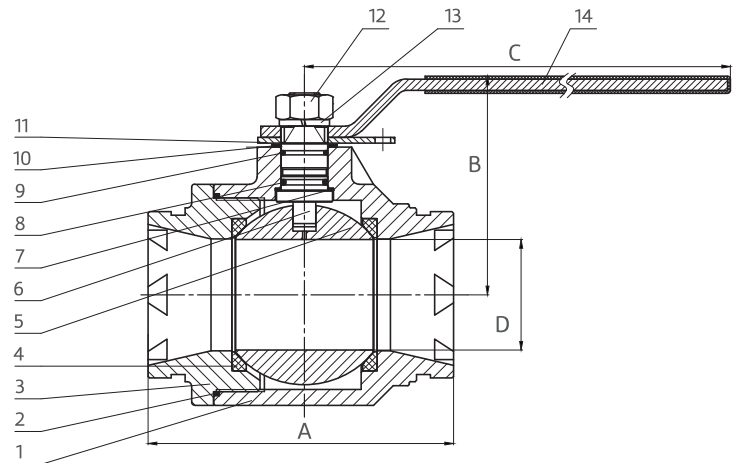
Design Features

- Designed for use in oil, gas and/or mining services
- Ductile Iron body, standard port
- NACE Compliant
- 316 Stainless Steel ball and stem
- PTFE body seat
- Viton® B Stem seals
- Lever handle with padlock feature
- Grooved end dimensions to AWWA C-606
- 2" – 4": 1,000 psig working pressure
- 6": 1,500 psig working pressure
- Color – Black

Note: Not for use in potable water systems.

Parts & Materials

No.	Part	Materials Specification
1	Body	ASTM A395 60-40-18
2	Body Seal	Viton B
3	End Adapter	ASTM A395 60-40-18
4	Seat	PTFE + 15% GF
5	Ball	ASTM A182 F316
6	Stem	ASTM A176 316
7	Thrust Washer	PTFE
8	Stem Seal	Viton B
9	Stem Seal	Viton B
10	Gasket	PTFE
11	Stop Plate	Carbon Steel + Ni
12	Nut	Carbon Steel + Zn
13	Spring Washer	Spring Steel
14	Handle	Carbon Steel



Dimensions

Pipe Size	Part Number	A	B	C	D	Weight
In./mm		In./mm	In./mm	In./mm	In./mm	Lbs./kg
2	67GBV1020	5.51	4.29	8.54	1.50	9.5
50		140.0	109.0	216.9	38.1	4.32
3	67GBV1030	6.73	5.57	10.00	2.56	22.2
80		170.9	141.5	254.0	65.0	10.09
4	67GBV1040	8.27	5.92	13.50	3.00	35.7
100		210.1	150.4	342.9	76.2	16.23
6	67GBV1060	10.12	10.13	39.37	5.00	97.5
150		257.0	257.3	1000.0	127.0	44.32

About ASC Engineered Solutions

ASC Engineered Solutions is defined by quality—in its products, services and support. With more than 1,400 employees, the company's portfolio of precision-engineered piping support, valves and connections provides products to more than 4,000 customers across industries, such as mechanical, industrial, fire protection, oil and gas, and commercial and residential construction. Its portfolio of leading brands includes ABZ Valve®, AFCON®, Anvil®, Anvil EPS, Anvil Services, Basic-PSA, Beck®, Catawissa, Cooplet®, FlexHead®, FPPI®, Gruklok®, J.B. Smith, Merit®, North Alabama Pipe, Quadrant®, SCI®, Sharpe®, SlideLOK®, SPF® and SprinkFLEX®. With headquarters in Commerce, CA, and Exeter, NH, ASC also has ISO 9001:2015 certified production facilities in PA, TN, IL, TX, AL, LA, KS, and RI.



asc-es.com

Building connections that last™

FC-DS-67GBV-v01 20211210

