



COOPLOK™ Grooved Submittal

Fig. 65SF & 66SF
Standard Weight Flexible Coupling

Figure 65SF & 66SF Standard Weight Flexible couplings are designed for use in piping systems where flexibility is desired. They allow for pipe movement caused by seismic action and thermal variations, and will also attenuate noise & vibration transmitted through the piping system.

Material Specifications

Housing:

Ductile Iron Housings conform to ASTM A-536, Grade 65-45-12

Coating:

- Orange Paint (rust inhibiting) – Standard Coating – Fig. 65SF
- Hot Dipped Galvanized conforming to ASTM A-153 – Fig. 66SF

Coupling Gasket Style:

- "C" Style - E-EPDM
- "C" Style - T-Nitrile
- "C" Style - O-Fluoroelastomer (Special Order)
- Triple Seal – E-EPDM Only
Fig. 65SFTRI – Painted, Fig. 66SFTRI - Galvanized

Nuts and Bolts:

Zinc electroplated, heat treated, oval neck track head bolts conforming to ASTM-183 Grade 2 with a minimum tensile strength of 110,000 psi; Heavy hex nuts made of carbon steel conforming to ASTM A-563 Grade A or Grade B, or J995 Grade 2.

SCI track bolts are 100% magnetic particle inspected.
The SCI logo appears on all COOPLOK™ track bolts.

Coupling Gasket Material:

- Pre-lubricated Grade E-EPDM (Green Stripe)
-30°F (-34°C) to +230°F (+110°C) Service Temperature Range
For use with water service, diluted acids, alkali solutions, oil-free air and other chemical services.
NOT FOR PETROLEUM, STEAM, OR NATURAL GAS APPLICATIONS.
- Grade T-Nitrile (Orange Stripe)
-20°F (-29°C) to +180°F (+82°C) Service Temperature Range
For use with petroleum applications, vegetable & mineral oils, and air with oil vapors.
NOT FOR USE IN HOT WATER, STEAM, OR NATURAL GAS APPLICATIONS.
- Grade O – Fluoroelastomer (Blue Stripe)
+20°F (-6°C) to +300°F (+149°C) Service Temperature Range
For high temperature resistance to oxidizing acids, petroleum oils, hydraulic fluids, halogenated hydrocarbons, and lubricants. (Special Order)


Project Information	
Project/Job/System:	
Submittal Date:	
Engineer:	Contractor:
Address:	Address:
City/State:	City/State:
Notes:	

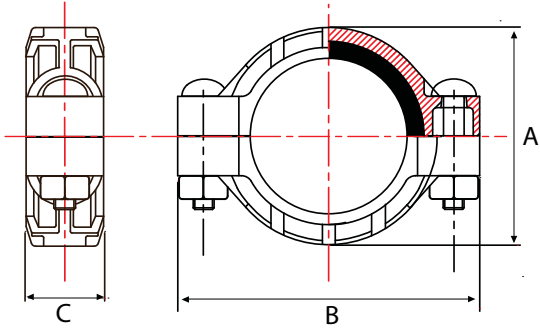
Approval Stamp



Standard Weight Flexible Couplings

Fig. 65SF & 66SF
Standard Weight Flexible Coupling with "C" Gasket

- Maximum working pressure depending on coupling size and schedule of pipe:
 - 1" to 6" - 1000 psi (68.9 bar)
 - 8" to 12" - 800 psi (55.1 bar)
 - 14" to 20" - 300 psi (20.6 bar)
 - 24" - 250 psi (17.2 bar)
- UL Listed & FM Approved – 1" thru 12"
- All housings, gaskets and bolts identified by SCI logo
- Gaskets are Pre-Lubricated
- Gasket Grade E - EPDM (green stripe) -30°F (-34°C) to +230°F (+110°C)
- Gasket Grade T - Nitrile (orange stripe) -20°F (-29°C) to +180°F (+82°C)
- Gasket Grade O - Fluoroelastomer (blue stripe) +20°F (-6°C) to +300°F (+149°C)
- Ductile iron housings conform to ASTM A-536 Grade 65-45-12
- Groove dimensions to AWWA C-606
- Finishes: Orange enamel paint
 Hot dipped galvanized conforming to ASTM A-153
- Smith-Cooper Warranty only applies to assemblies made with housings, gaskets and bolts carrying the  logo

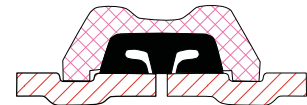
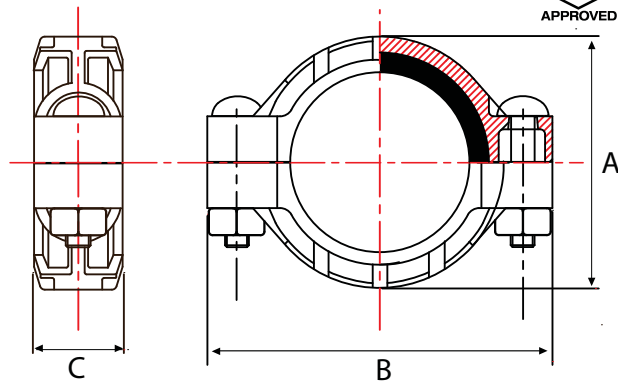


Pipe Size in / mm	Part Number		Pipe OD in / mm	Max Pipe End Gap in / mm	Dimensions			Deflection Degrees	Number of Sections	Case Qty	Weight lb / kg
	Painted	Galvanized			A in / mm	B in / mm	C in / mm				
1 25	65SF3010	66SF3010	1.315 33.7	1/8 3.2	2.34 59.5	3.94 100.0	1.73 44.0	2.3	2	26	1.3 0.6
1-1/4 32	65SF3012	66SF3012	1.660 42.2	1/8 3.2	2.70 68.5	4.41 112.0	1.89 48.0	2.1	2	24	2.2 1.0
1-1/2 40	65SF3014	66SF3014	1.900 48.3	1/8 3.2	2.93 74.5	4.69 119.0	1.89 48.0	1.9	2	24	2.3 1.0
2 50	65SF3020	66SF3020	2.375 60.3	1/8 3.2	3.48 88.5	5.20 132.0	1.89 48.0	2.0	2	20	2.5 1.1
2-1/2 65	65SF3024	66SF3024	2.875 73.0	1/8 3.2	4.04 102.5	5.71 145.0	1.89 48.0	2.3	2	16	3.0 1.4
3 80	65SF3030	66SF3030	3.500 88.9	1/8 3.2	4.63 117.5	6.50 165.0	1.89 48.0	2.0	2	16	3.3 1.5
4 100	65SF3040	66SF3040	4.500 114.3	1/4 6.4	6.00 152.4	8.35 212.0	2.13 54.0	2.2	2	8	6.1 2.8
5 125	65SF3050	66SF3050	5.563 141.3	1/4 6.4	7.07 179.5	10.04 255.0	2.13 54.0	1.8	2	6	8.5 3.9
6 150	65SF3060	66SF3060	6.625 168.3	1/4 6.4	8.31 211.0	11.42 290.0	2.15 54.5	1.6	2	4	10.6 4.8
8 200	65SF3080	66SF3080	8.625 219.1	1/4 6.4	10.35 263.0	13.62 346.0	2.48 63.0	1.4	2	-	16.4 7.5
10 250	65SF3100	66SF3100	10.750 273.0	1/4 6.4	12.87 327.0	16.61 422.0	2.64 67.0	1.2	2	-	25.3 11.5
12 300	65SF3120	66SF3120	12.750 323.9	1/4 6.4	14.88 378.0	18.66 474.0	2.64 67.0	1.1	2	-	29.6 13.4
14 350	65SF3140	66SF3140	14.000 355.6	1/4 6.4	15.94 405.0	19.96 507.0	2.91 74.0	1.0	4	-	39.2 17.8
16 400	65SF3160	66SF3160	16.000 406.4	1/4 6.4	17.72 450.0	22.01 559.0	2.91 74.0	0.9	4	-	42.9 19.5
18 450	65SF3180	66SF3180	18.000 457.6	1/4 6.4	20.08 510.0	24.53 623.0	3.15 80.0	0.8	4	-	54.0 24.5
20 500	65SF3200	66SF3200	20.000 508.0	1/4 6.4	22.09 561.0	26.57 675.0	3.15 80.0	0.7	4	-	57.3 26.0
24 600	65SF3240	66SF3240	24.000 609.6	1/4 6.4	26.10 663.0	30.59 777.0	3.15 80.0	0.6	6	-	76.9 34.9



Fig. 65SFTRI & 66SFTRI
Standard Weight Flexible Coupling with Triple Seal Gasket

- Maximum working pressure depending on coupling size and schedule of pipe:
 1" to 6" - 1000 psi (68.9 bar)
 8" - 800 psi (55.1 bar)
- All housings, gaskets and bolts identified by SCI logo
- Gasket Grade E - EPDM (green stripe) -30°F (-34°C) to +230°F (+110°C)
- Other gasket materials available by special order
- Ductile iron housings conform to ASTM A-536 Grade 65-45-12
- Groove dimensions to AWWA C-606
- Finishes: Orange enamel paint
 Hot dipped galvanized conforming to ASTM A-153
- Smith-Cooper Warranty only applies to assemblies made with housings, gaskets and bolts carrying the SCI logo



Triple Seal Gasket – EPDM

Pipe Size in / mm	Part Number		Pipe OD in / mm	Max Pipe End Gap in / mm	Dimensions			Deflection Degrees	Number of Sections	Case Qty	Weight lb / kg
	Painted	Galvanized			A in / mm	B in / mm	C in / mm				
1-1/4 32	65SFTRI3012	66SFTRI3012	1.660 42.2	1/8 3.2	2.70 68.5	4.41 112.0	1.89 48.0	2.1	2	24	2.2 1.0
1-1/2 40	65SFTRI3014	66SFTRI3014	1.900 48.3	1/8 3.2	2.93 74.5	4.69 119.0	1.89 48.0	1.9	2	24	2.3 1.0
2 50	65SFTRI3020	66SFTRI3020	2.375 60.3	1/8 3.2	3.48 88.5	5.20 132.0	1.89 48.0	2.0	2	20	2.5 1.1
2-1/2 65	65SFTRI3024	66SFTRI3024	2.875 73.0	1/8 3.2	4.04 102.5	5.71 145.0	1.89 48.0	2.3	2	16	3.0 1.4
3 80	65SFTRI3030	66SFTRI3030	3.500 88.9	1/8 3.2	4.63 117.5	6.50 165.0	1.89 48.0	2.0	2	16	3.3 1.5
4 100	65SFTRI3040	66SFTRI3040	4.500 114.3	1/4 6.4	6.00 152.4	8.35 212.0	2.13 54.0	2.2	2	8	6.1 2.8
5 125	65SFTRI3050	66SFTRI3050	5.563 141.3	1/4 6.4	7.07 179.5	10.04 255.0	2.13 54.0	1.8	2	6	8.5 3.9
6 150	65SFTRI3060	66SFTRI3060	6.625 168.3	1/4 6.4	8.31 211.0	11.42 290.0	2.15 54.5	1.6	2	4	10.6 4.8
8 200	65SFTRI3080	66SFTRI3080	8.625 219.1	1/4 6.4	10.35 263.0	13.62 346.0	2.48 63.0	1.4	2	-	16.4 7.5

Please see complete installation instructions at www.smithcooper.com for important guidelines and limitations on the use and applications of COOPLOK™ Grooved Couplings and Fittings.