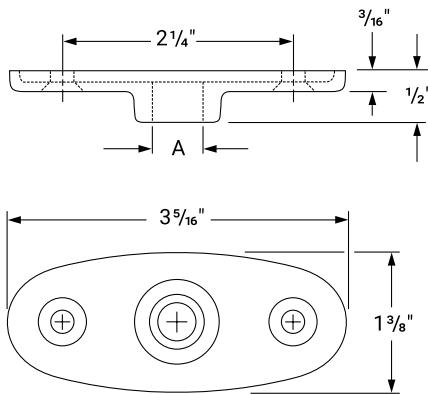


Rod Threaded Ceiling Flange Fig. CT-128R



Material Specifications

Size Range
3/8" and 1/2"

Material
Malleable iron

Finish
Copper plated

Service
Recommended for attachment to wood beams or ceiling.

Ordering
Specify rod size, figure number, name.

Dimensions (In) - Load (Lbs) - Weight (Lbs)

Rod Size A	Max Load	Weight	Screws	
			Quantity	Size No.
In.	Lbs.	Lbs.	In.	
3/8	180	0.16	2	12
1/2				



PROJECT INFORMATION	APPROVAL STAMP
Project:	Approved
Address:	Approved as noted
Contractor:	Not approved
Engineer:	Remarks:
Submittal Date:	
Notes 1:	
Notes 2:	