

Building connections that last™



# Sharpe® Series D400 Digital Positioner



# Sharpe® Series D400 Digital Positioner



- Microprocessor based valve positioner
- Menu driven programming with LCD display –multilingual
- Local push button configuration
- Low air consumption
- Explosion–proof & intrinsically safe modes available
- Modular design – available with position feedback, micro switches and fail freeze options, rotary or linear mounting
- NEMA 4X IP 65 enclosure, aluminum housing, electrostatically dipped varnish with stove–hardened epoxy resin
- Adaptive control feature offers the ability to update automation package without resetting the process
- Linear mounting possible
- ATEX – FM · CSA · IEC · Ex approvals available
- Available with Foundation Fieldbus, Profi–Bus and Hart Protocols

## D400 Digital Positioner

<b>Rotation:</b>	25 - 120 Degrees
<b>Max Air Supply:</b>	90 psi
<b>Air Delivery:</b>	6.0 SCFM @ 90 psi
<b>Air Consumption:</b>	≤ 0.015 SCFM
<b>Stroke:</b>	0.4 to 4"
<b>Connections:</b>	¼" NPT air, ½" NPT Cable
<b>Ambient Temperature:</b>	-40°F to 185°F
<b>Characteristic Curves:</b>	Linear, equal %, 1:25, 1:50, 25:1, 50:1, or user configurable
<b>Characteristic Deviation:</b>	≤ 0.5%
<b>Deadband:</b>	0.1%, adjustable to 10%
<b>Resolution (A/D) Conversion:</b>	16,000 steps
<b>Sample Rate:</b>	20 msec
<b>Seismic Vibration:</b>	Meets requirements to DIN IEC 68-3-3 Class III for strong and strongest earthquakes
<b>Mechanical Vibration:</b>	≤ 1% up to 10g and 10...80 Hz
<b>Mounting Orientation:</b>	≤ 0.5% at 90° Change
<b>EMI:</b>	Complies with EMC directive 89/336/EEC as of May 1989 (Increased EMI Shielding to EN 50082-2 PR as of 11/93)



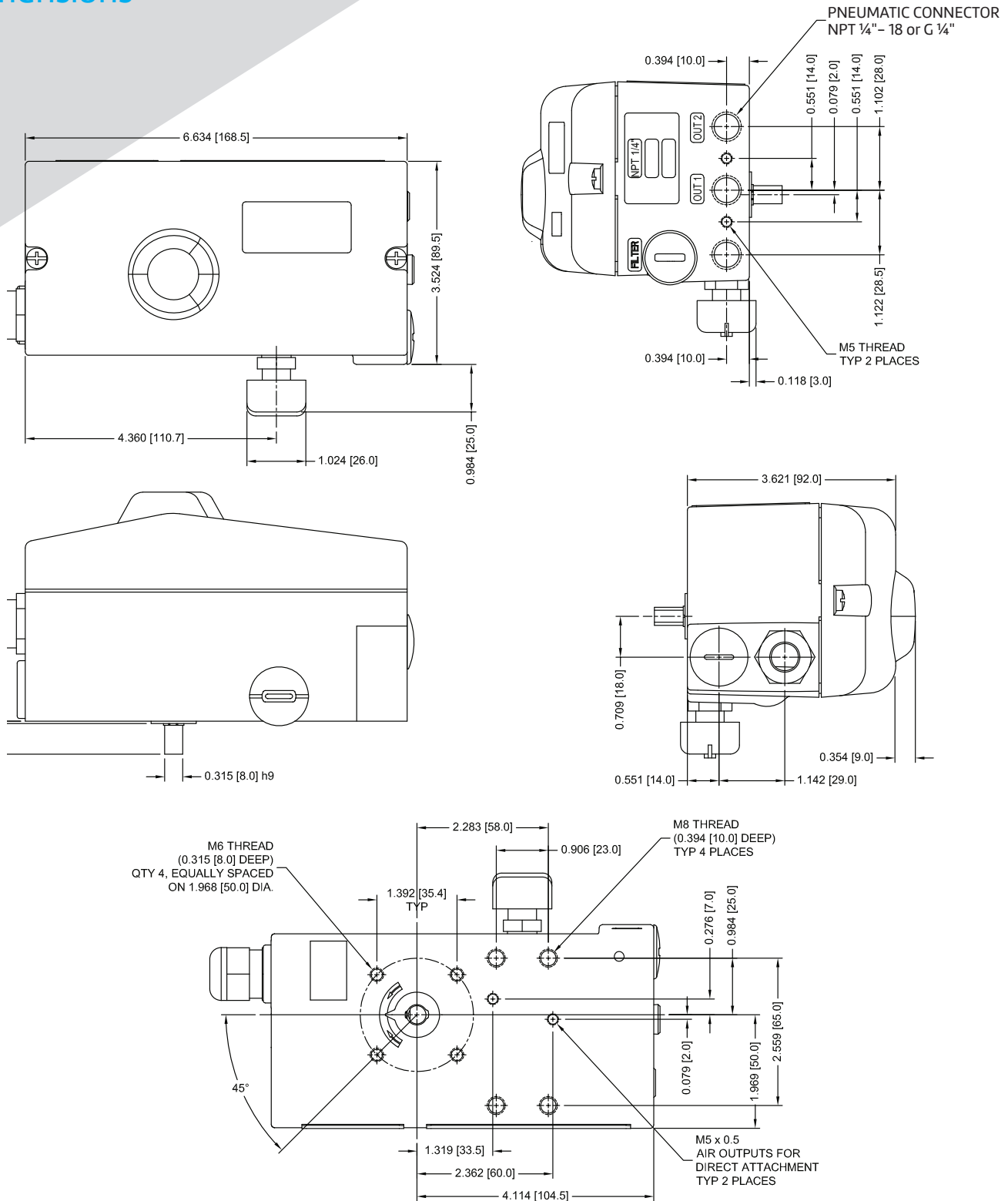
asc-es.com

Building connections that last™

# Sharpe® Series D400 Digital Positioner



## Dimensions



asc-es.com

Building connections that last™

### **About ASC Engineered Solutions**

ASC Engineered Solutions is defined by quality—in its products, services and support. With more than 1,400 employees, the company's portfolio of precision-engineered piping support, valves and connections provides products to more than 4,000 customers across industries, such as mechanical, industrial, fire protection, oil and gas, and commercial and residential construction. Its portfolio of leading brands includes ABZ Valve®, AFCON®, Anvil®, Anvil EPS, Anvil Services, Basic-PSA, Beck®, Catawissa, Cooplet®, FlexHead®, FPPI®, Gruvlok®, J.B. Smith, Merit®, North Alabama Pipe, Quadrant®, SCI®, Sharpe®, SlideLOK®, SPF® and SprinkFLEX®. With headquarters in Commerce, CA, and Exeter, NH, ASC also has ISO 9001:2015 certified production facilities in PA, TN, IL, TX, AL, LA, KS, and RI.



[asc-es.com](http://asc-es.com)

Building connections that last™

FC-DS-SERIES-D400-v01 20211011

