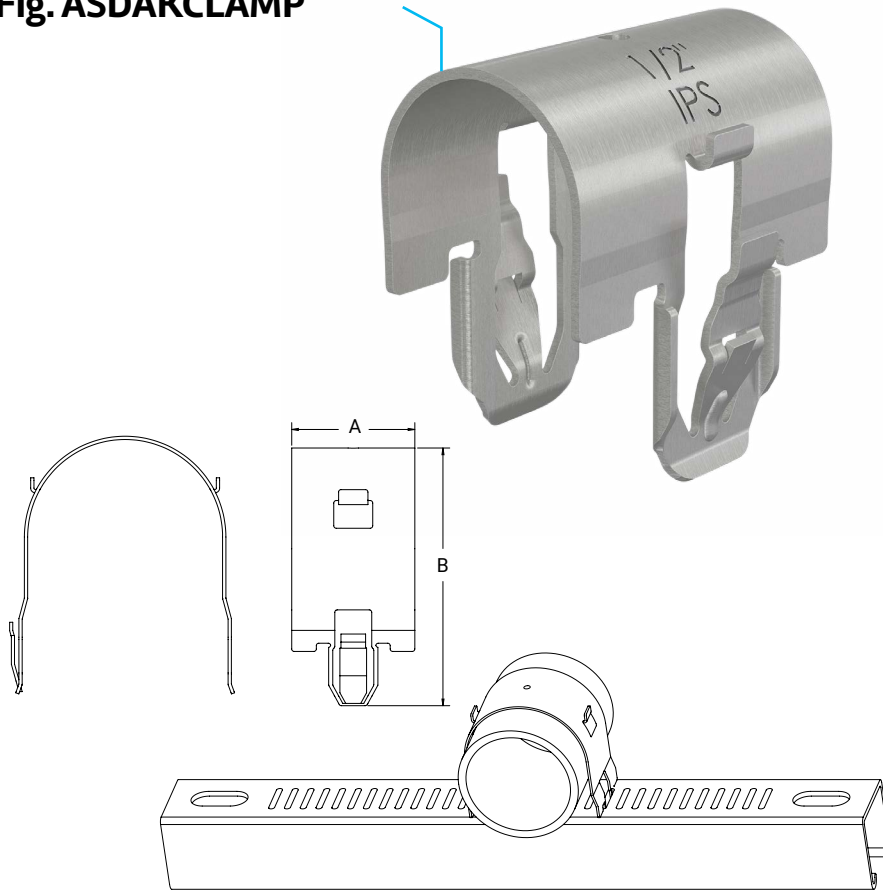


Dakota Rigid IPS Smart-Clamps™ Fig. ASDAKCLAMP



Material Specifications

Size Range
1/2" to 2" IPS

Material
Steel

Finish
Pre Galvanized/Zinc Plated

Service
For strapping or clamping system pipe to trapeze hanger or support

Temperature
450°F with an Electro-Galvanized Finish

Approval
Complies with the requirements of ANSI/MSS SP-58

- Features**
- Fast push and click installation.
 - No power tools required
 - Quickly installed and removed

Ordering
Specify figure number, length, and description.

Patents
Patent Pending

FIG. ASDAKCLAMP - Dimensions, Load Ratings and Weights

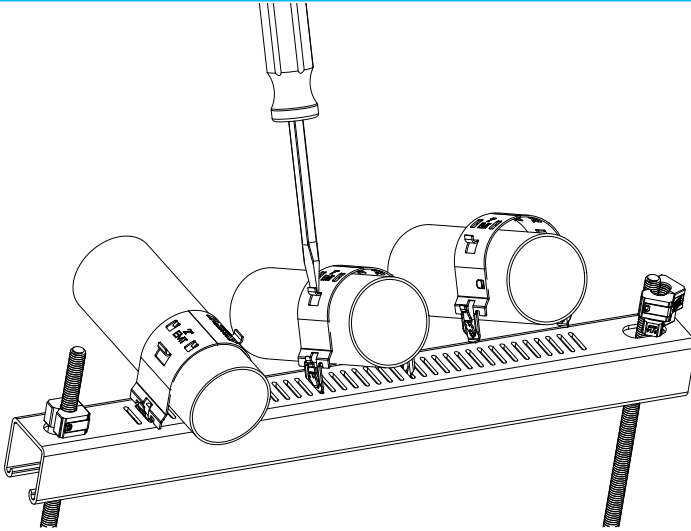
Size	MSS Design Loads		MFMA Design LoadsNu		A	B	Slot Usage	Wt/100 Pieces
	Slip Thru	Pullout	Slip Thru	Pullout				
1/2"	150 Lbf	350	175	400	1 1/2"	1 1/8"	4	4.3 lb
3/4"	150 Lbf	350	175	400	1 1/2"	1 13/16"	5	5.0 lb
1"	150 Lbf	350	175	400	1 1/2"	2"	6	6.0 lb
1 1/4"	150 Lbf	350	175	400	1 1/2"	2 3/8"	7	7.6 lb
1 1/2"	150 Lbf	350	175	400	1 1/2"	2 5/8"	8	8.5 lb
2"	150 Lbf	350	175	400	1 1/2"	3 1/8"	9	10.6 lb

MSS: Safety Factor of 3.5. MFMA: Safety Factor of 3.0.

Dakota Systems is a Division of Mag Daddy LLC.



PROJECT INFORMATION	APPROVAL STAMP
Project:	Approved
Address:	Approved as noted
Contractor:	Not approved
Engineer:	Remarks:
Submittal Date:	
Notes 1:	
Notes 2:	



To install, insert the tabs of the Smart-Clamps into the slots.

Push down until it clicks in place, use a screwdriver to ensure.

To remove, push the locking tabs inward and pull up.

- 1 Push the locking tabs of the Smart-Clamps, into the slots of the Dakota Smart-Strut™, Smart-Caps™, or Slotted Receiver.
- 2 Listen for a double click to know the Smart-Clamps is locked in place.
- 3 Use a flathead screwdriver to tap the notches on the top of the clamp to ensure engagement.
- 4 To remove the Smart-Clamps, squeeze the locking tabs and pull upward to disengage from slots (flathead screwdriver or pliers may be required).



asc-es.com

Building connections that last™