

## 12 Gauge Dakota Smart-Caps™ with Threaded Receiver Fig. ASDAKCAPTR



### Material Specifications

**Size Range**

14" and 24" lengths

**Material**

Steel

**Finish**

Pre Galvanized/Zinc Plated

**Service**

An economical option to add the Dakota Smart-Strut™ slotted profile to industry standard MFMA channels (1 5/8" width, 12ga and 14ga) for installation of Dakota Smart-Clamps™.

**Approval**

Complies with the requirements of ANSI/MSS SP-58

**Features**

- No tools required
- Fast push and click installation
- Great for the prefabrication of trapeze hanger systems

**Ordering**

Specify figure number, length, and description.

**Patents**

Patent Pending

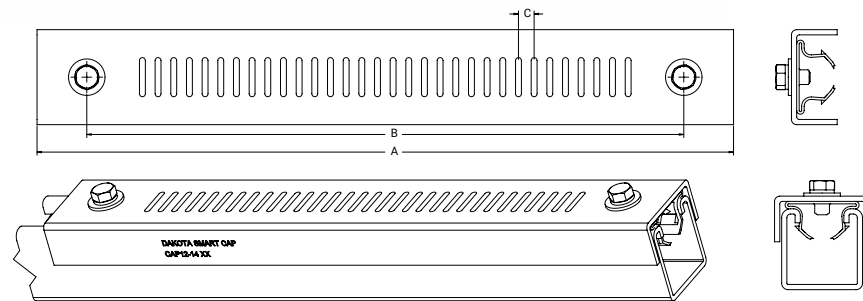


FIG. ASDAKCAPTR - Dimensions & Weights

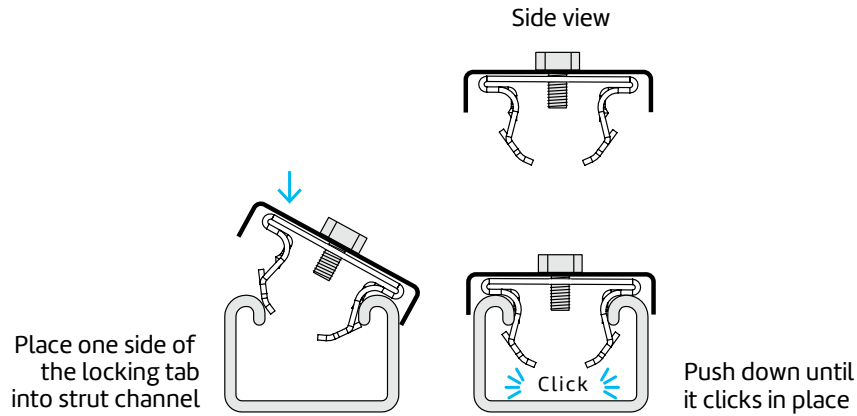
Length	A	B	C	Number of Slots	Weight
14"	14"	12"	.196	32	1.48 lb
24"	24"	22"	.196	64	2.51 lb

Dakota Systems is a Division of Mag Daddy LLC.



PROJECT INFORMATION	APPROVAL STAMP
Project:	Approved
Address:	Approved as noted
Contractor:	Not approved
Engineer:	Remarks:
Submittal Date:	
Notes 1:	
Notes 2:	

**Fig. ASDAKCAPTR**  
12 Gauge Dakota Smart-Caps™ with Threaded Receiver



- 1 Place one side of the locking tab of the Smart-Receivers™ into the open side of the strut.
- 2 Push down the opposing side of the Smart-Receivers™ into the open strut channel.
- 3 Listen for a click to know the Smart-Caps™ is locked in place.



asc-es.com

Building connections that last™