

Dakota Slotted Smart-Receivers™ Fig. ASDAKSR

Material Specifications

Material: Steel

Finish: Pre Galvanized/Zinc Plated

Service: For adding mounting slots for Dakota Smart-Clamps™ (ASDAKCLAMP) to any 1⁵/₈" channel.

Approval: Complies with the requirements of ANSI/MSS SP-58.

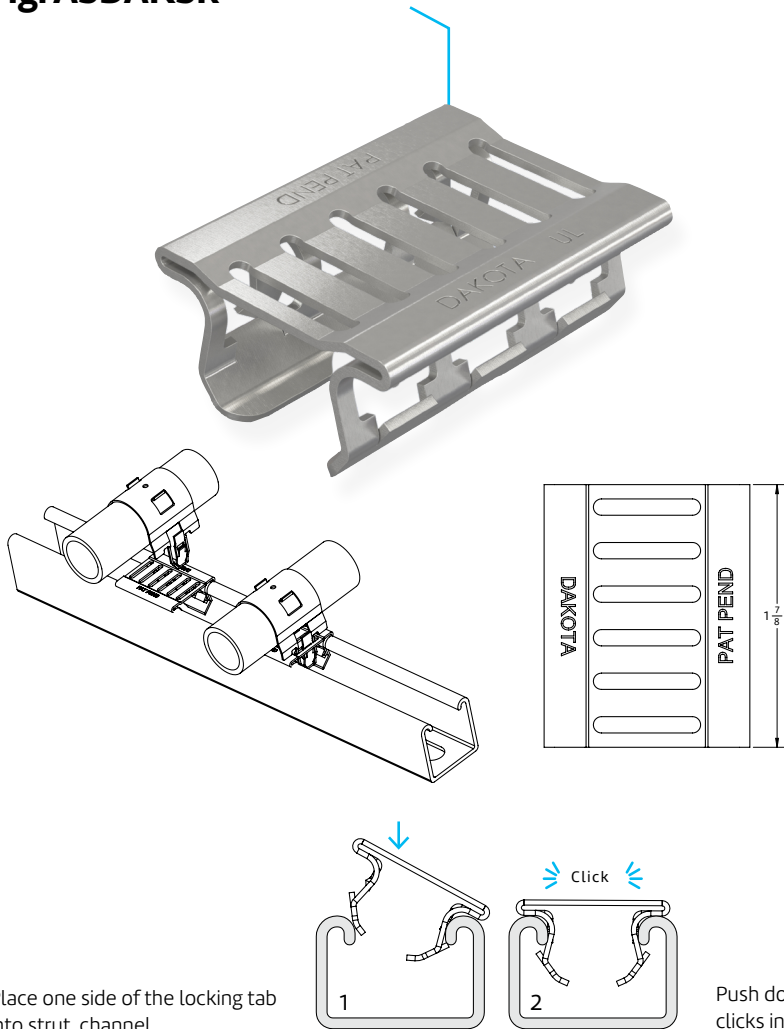
Features:

- Snaps into any strut with a 7/8" opening
- Moveable along channel
- Quick back to back strut application

Ordering: Specify figure number, size and description.

Notes: Will accommodate clamps from 1/2" to 1" IPS.

Patents: Patent Pending



Place one side of the locking tab into strut. channel

Push down until it clicks in place.

Installation Instructions

- 1 Place one side of the locking tab of the Smart-Receivers™ into the open side of a 1³/₁₆" or taller strut channel.
- 2 Push down the opposing side of the Smart-Receivers™ into the open strut channel.
- 3 Listen for a click to know the Smart-Receivers™ is locked in place.

Dakota Systems is a Division of Mag Daddy LLC.



| PROJECT INFORMATION | APPROVAL STAMP |
|---------------------|-------------------|
| Project: | Approved |
| Address: | Approved as noted |
| Contractor: | Not approved |
| Engineer: | Remarks: |
| Submittal Date: | |
| Notes 1: | |
| Notes 2: | |