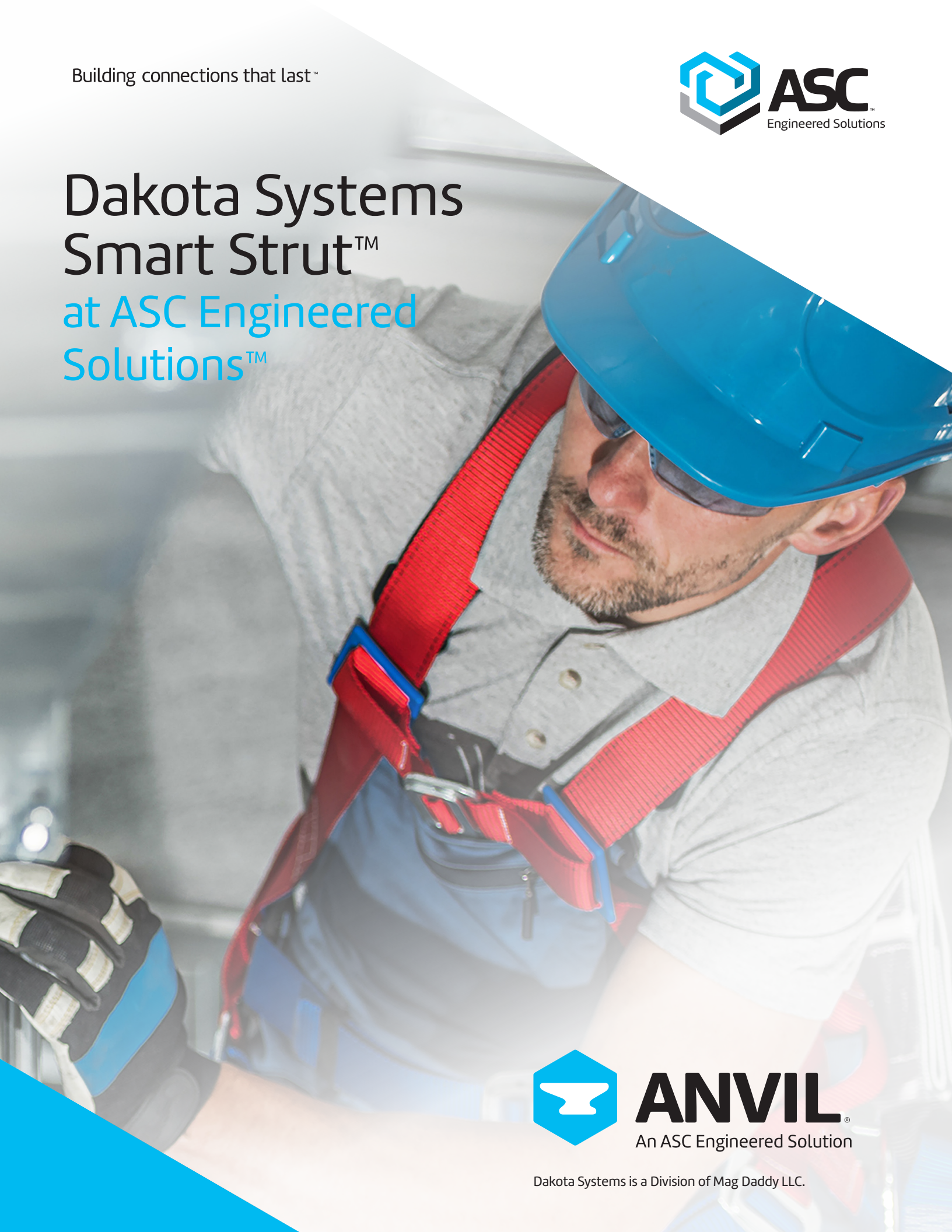


Building connections that last™



# Dakota Systems Smart Strut™ at ASC Engineered Solutions™



**ANVIL**®  
An ASC Engineered Solution

Dakota Systems is a Division of Mag Daddy LLC.



## Push, Click, Done.

ASC Engineered Solutions Dakota Systems strut product offering is an award winning, fast-installation solution for trapeze and multi-tiered trapeze hangers in mechanical, plumbing and HVAC applications. Dakota's trapeze line is a click in place system that allows installers to save time, money and risk. ASC is pleased to offer the below Dakota Systems Smart-Strut products that are designed for flexibility in hanging all types of pipe and conduit.

These products are proudly made in the USA, ensuring they're of the highest quality and backed by the best support in the industry. The Dakota Smart-Strut system makes installing in the field faster and easier than ever before. It really is as simple as push, click, done!

For more information about Dakota Systems products at ASC, contact your local ASC Engineered Solutions sales representative or visit our website [asc-es.com](http://asc-es.com).





# Dakota Smart-Strut™

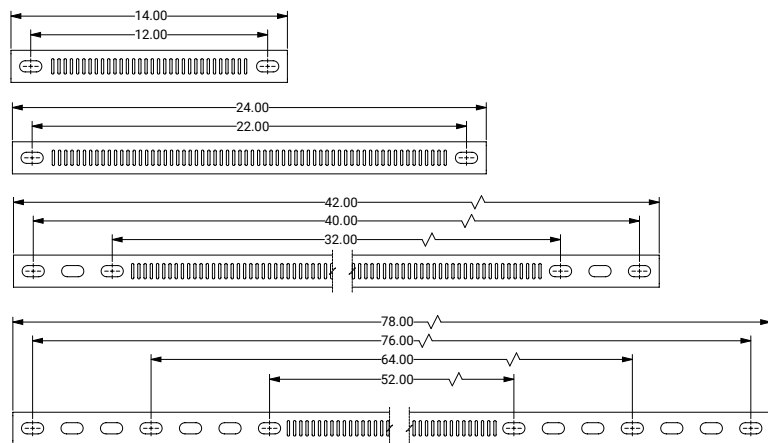
Innovative, ready to install, fits all clamps

- Available in 1-<sup>5</sup>/<sub>8</sub>" and 1<sup>3</sup>/<sub>16</sub>"
- Available in pre-cut lengths, saving time and labor
- Excellent for pre-fabrication of trapeze hangers
- Allows use of strut clamps back-to-back, on both top and bottom of strut
- Clean, organized appearance
- High-grade material
- Patent pending

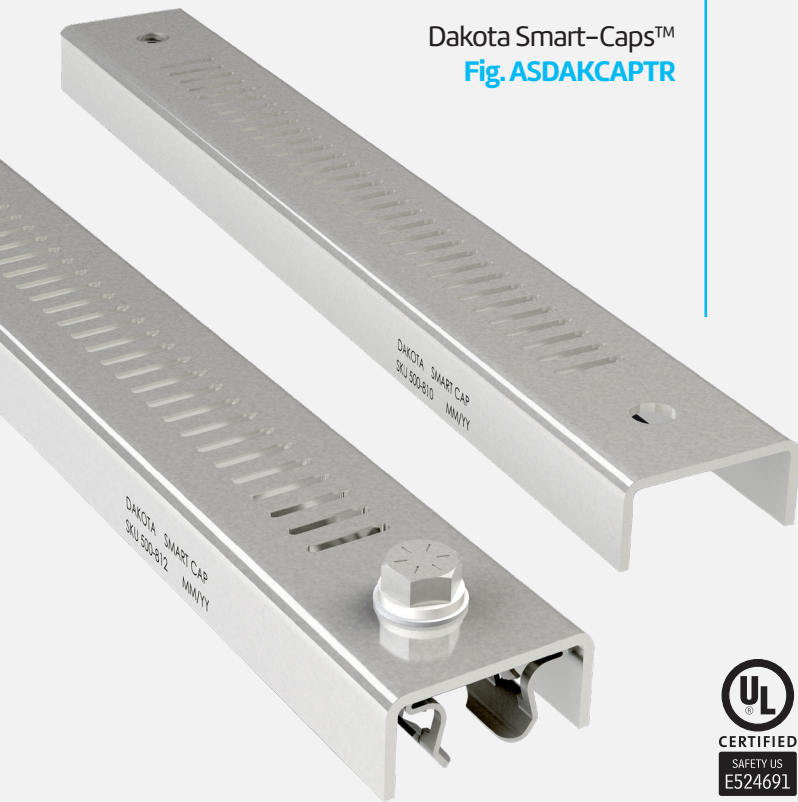


Dakota Smart-Strut™  
Fig. AS200DS/AS520DS

Pre-cut to save time on the jobsite, excellent for pre-fabrication of trapeze hangers, allows use of strut clamps on both top and bottom of strut (back-to-back)



Dakota Smart-Caps™  
Fig. ASDAKCAPTR

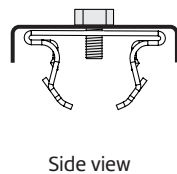


# Dakota Smart-Caps™

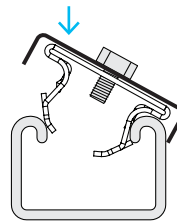
## Double the capacity of your strut with top and bottom mounting

- Economical options for dual mounting top and bottom strut
- Usable with standard strut
- Multiple lengths available
- Ready to use with all Dakota Smart-Clamps, allows the use of Smart-Clamps™ on open side of strut
- Creates back-to-back functionality in Smart-Strut™
- Patent pending

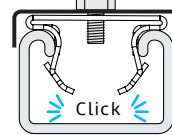
Allows the use of Smart-Clamps™ on open side of strut, creates back-to-back functionality in Smart-Strut™



Side view



Place one side of the locking tab into strut channel



Push down until it clicks in place

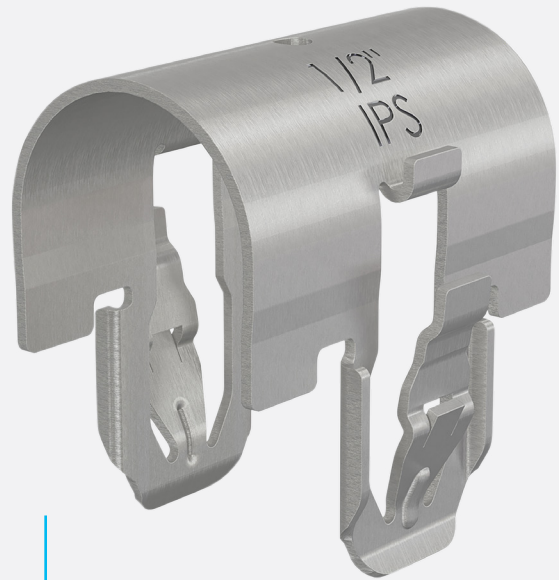
### Installation Instructions

- 1 Place one side of the locking tab of the Smart-Receiver™ into the open side of the strut.
- 2 Push down the opposing side of the Smart Receiver™ into the open strut channel.
- 3 Listen for a click to know the Smart Caps™ is locked in place.

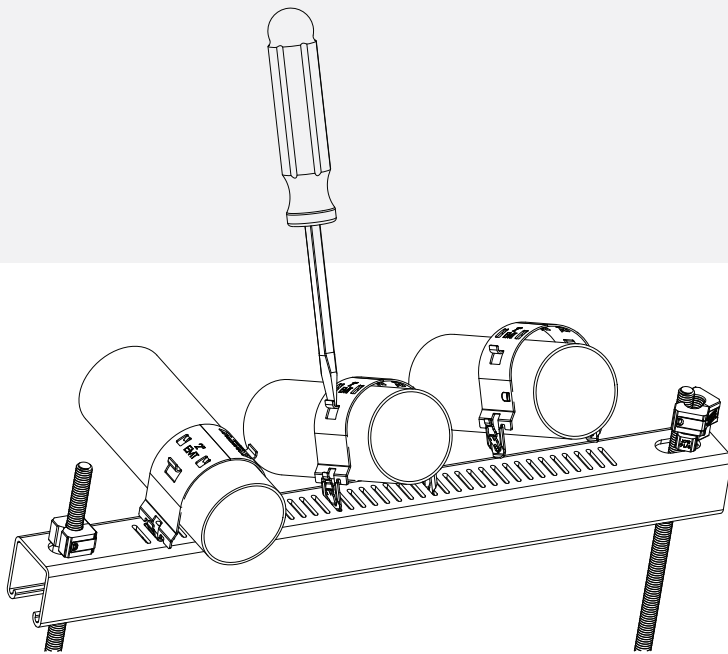
# Dakota Smart-Clamps™

## Push, click, **done.**

- Available in EMT Conduit, Rigid Conduit, and Rigid IPS
- Multiple sizes offered
- Quickly installs and removes without the use of tools when installing in Smart-Strut, simply clicks into place
- Can easily be relocated if necessary
- Patent pending



Dakota Rigid IPS  
Smart-Clamps™  
**Fig. ASDAKCLAMP**



To install, insert the tabs of the Smart-Clamps into the slots.

Push down until it clicks in place, use a screwdriver to ensure.

To remove, push the locking tabs inward and pull up.

Fast installation, with no tools into Smart-Strut™ slots, “clicks” into place, can be removed and relocated if needed.

### Installation Instructions

- 1 Push the locking tabs of the Smart Clamps, into the slots of the Dakota Smart-Strut™, Smart-Caps™, or Slotted Receiver.
- 2 Listen for a double click to know the Smart-Clamps is locked in place.
- 3 Use a flathead screwdriver to tap the notches on the top of the clamp to ensure engagement.
- 4 To remove the Smart-Clamps, squeeze the locking tabs and pull upward to disengage from slots (flathead screwdriver or pliers may be required).

# Dakota Smart-Receivers™

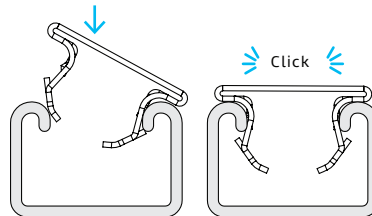
Click in receivers allow rapid placement for endless applications

- Push, click, done installation
- Can be installed into all 1<sup>3</sup>/<sub>16</sub>" or 1-<sup>5</sup>/<sub>8</sub>" strut channel
- Allows the use of Smart-Clamps in open side of standard or Smart-Strut
- Clean, organized appearance
- Easily prefabricated
- Patent pending



Dakota Slotted Smart-Receivers™  
Fig. ASDAKSR

Allows the use of Smart-Clamps™ in open side of standard or Smart-Strut™



Place one side of the locking tab into strut channel

Push down until it clicks in place.

## Installation Instructions

- 1 Place one side of the locking tab of the Smart-Receivers™ into the open side of a 1<sup>3</sup>/<sub>16</sub>" or taller strut channel.
- 2 Push down the opposing side of the Smart-Receivers™ into the open strut channel.
- 3 Listen for a click to know the Smart-Receivers™ is locked in place.

# Dakota Smart-Nut™

Stop endless threading and adjust easily with click-on nuts

- Available for 12- and 14-gauge strut
- Quickly installs and removes – replaces hex nuts, washer and flat washers. Snaps onto rod and then can be adjusted by threading up or down on the rod
- To be used with  $\frac{9}{16}$ " x  $1\text{-}\frac{1}{8}$ " strut holes (use provided sizing clip when slot holes are oversized); locks into standard elongated strut slots with  $\frac{1}{4}$  turn
- No de-burring of threaded rods required
- No threading required
- Simplifies multiple level trapeze installations
- Patent pending



Anvil Dakota Smart-Nut™  
Fig. ASDAK NUT

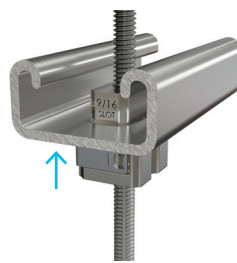
## Installation Instructions



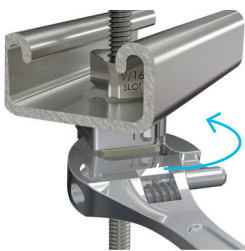
Snap-on Rod



Adjust Up/Down



Insert Through Strut



$\frac{1}{4}$  Turn



Smart-Nut Locked

Fast installed trapeze hanger fastener that replaces hex nuts, washer, and flat washers. Snaps onto rod and then can be adjusted by threading up or down the rod. Locks into standard elongated (EH) strut slots with  $\frac{1}{4}$  turn. Can be installed and removed and reinstalled it needed.

### **About ASC Engineered Solutions**

ASC Engineered Solutions is defined by quality—in its products, services and support. With more than 1,400 employees, the company's portfolio of precision-engineered piping support, valves and connections provides products to more than 4,000 customers across industries, such as mechanical, industrial, fire protection, oil and gas, and commercial and residential construction. Its portfolio of leading brands includes ABZ Valve®, AFCON®, Anvil®, Anvil EPS, Anvil Services, Basic-PSA, Beck®, Catawissa, Cooplet®, FlexHead®, FPPI®, Gruvlok®, J.B. Smith, Merit®, North Alabama Pipe, Quadrant®, SCI®, Sharpe®, SlideLOK®, SPF® and SprinkFLEX®. With headquarters in Commerce, CA, and Exeter, NH, ASC also has ISO 9001:2015 certified production facilities in PA, TN, IL, TX, AL, LA, KS, and RI.

Dakota Systems is a Division of Mag Daddy LLC.

---

asc-es.com

Building connections that last™

