

Building connections that last™



Series EM

Compact Electric Actuator Datasheet



Table of Contents

1. Standard Specifications	3
2. Performance	4
3. Dimensions	5
4. Wiring	6
5. How to Order	7



1. Standard Specifications

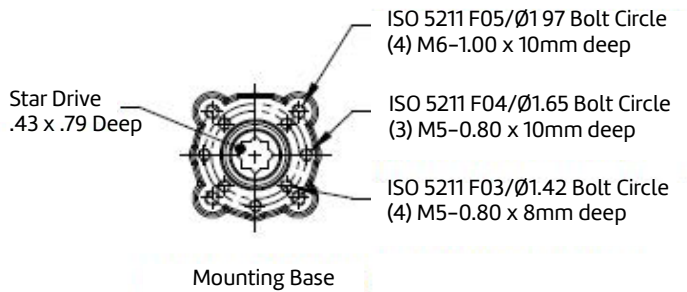
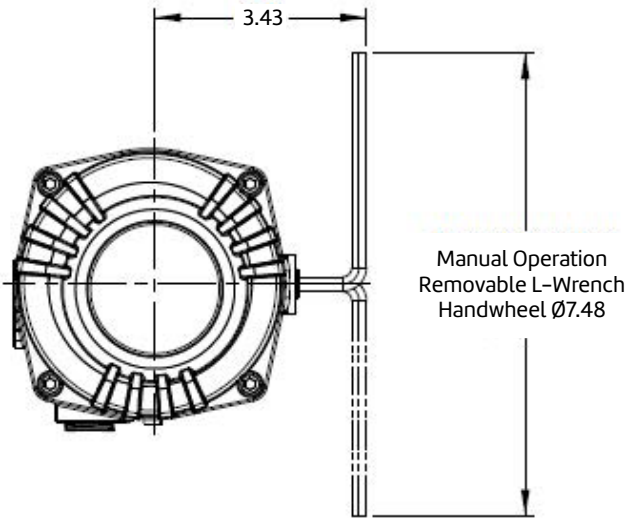
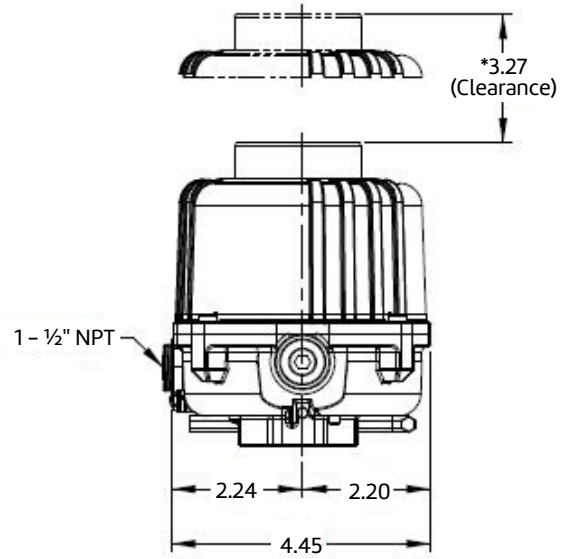
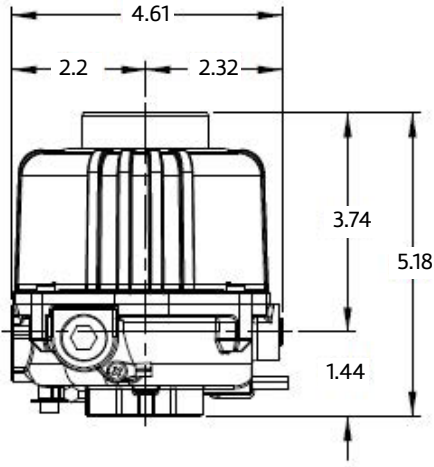
Enclosure	IP67, Dust-tight, weather-tight, Type 4/4x
Ambient Temperature	-20°C to +70°C (-4°F to 158°F)
Power Supply	120vac 60Hz 1-Phase (Optional 220v, 24v)
Limit Switches	Motor: Open / Close Auxiliary Dry Contact: Open / Close
Travel Angle	90 ± 5 degrees
Indicator	Dome type (illuminated at full Open and full Close)
Manual Operation	Allen wrench included (6mm Hexagon)
Gear Train	Permanently lubricated
Space Heater	(2) 1.5-Watt Heaters (120v, 220v, 24v)
Conduit Entries	Two ½" NPT
Lubrication	Grease (Shell Gadus S2-V220-2)
Materials	Aluminum Alloy, Aluminum Bronze, Steel
Surface Treatment	Anodizing
External Coating	Dry Powder Polyester (TGIC-Free)



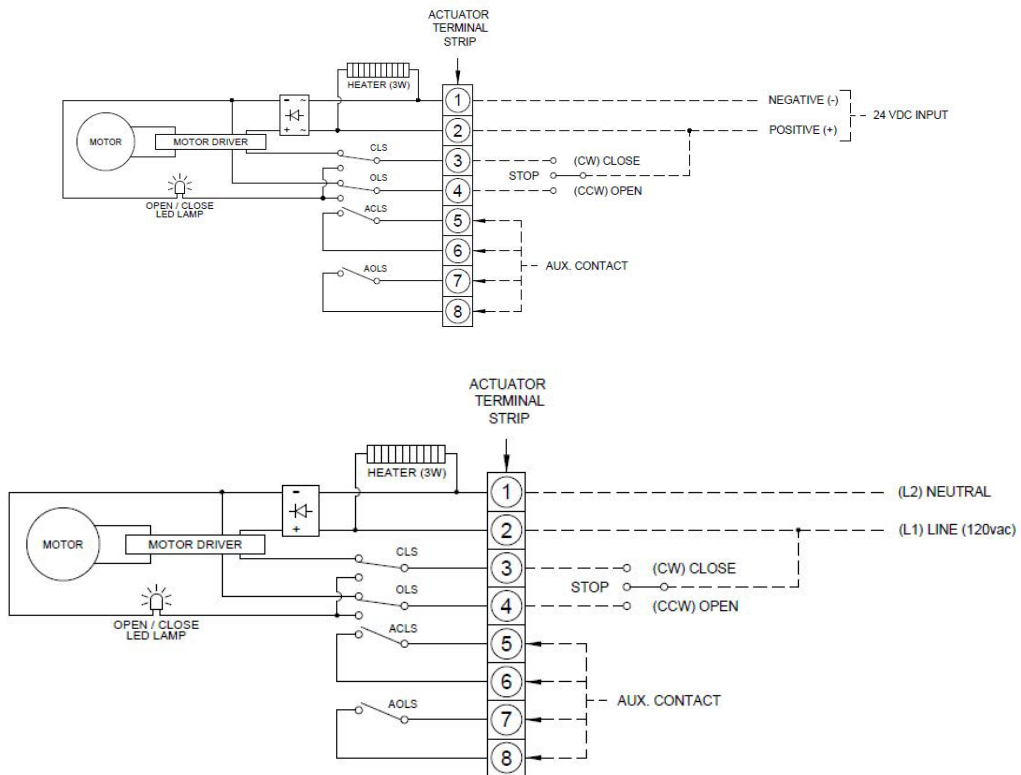
2. Performance

Model	M003
Enclosure	IP67, Dust Tight, Weather Tight
Maximum Torque	265-Inch Pounds
Operating Time	
120v 60Hz	12-seconds
220v 50Hz	12-seconds
24Vdc	14-seconds
Motor Voltage / Watts	Running Amp
120vac 60Hz / 18W	0.26-amp
220vac 50Hz / 18W	0.14-amp
24vac 18W	1.0-amp
24vdc 18W	0.68-amp
Duty Cycle	S2-15 min / S4-50%
Mounting Base	F03, F04, F05
Bore	11mm-STAR
Handle Turns	7.5-Turns
Type Weight	3.25 lbs

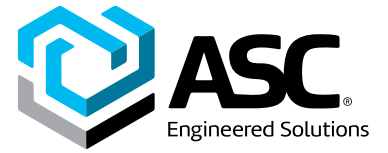
3. Dimensions



4. Wiring



Compact Electric Actuator Series EM



Example: E-M003-A1A-A1

A size 003 actuator (265 lbf-in), with IP67 enclosure, 120 Vac / 1 PH power supply, for standard On-Off service, with two auxiliary limit switches.

How to Order Series EM



1	Model / Size
Code	
M003	265 lbf-in

2	Type
Code	
<blank>	IP67, Dust-tight, weather-tight, Type 4 / 4x

3	Voltage
Code	
A	120 Vac / 1PH
B	220 Vac / 1PH
C	24 Vac / 1PH
D	24 Vdc

4	Service & Control Type (Card)
Code	
1A	On / Off, 2-Position Control (All Voltages)

5	Auxiliary Limit Switches (ALS)
Code	
A1	1-Set Auxiliary Limit Switches (2-switches, Dry Contacts)



About ASC Engineered Solutions

ASC Engineered Solutions is defined by quality—in its products, services and support. With nearly 2,000 employees, the company's portfolio of precision-engineered piping support, valves and connections provides products to more than 4,000 customers across industries, such as mechanical, industrial, fire protection, oil and gas, and commercial and residential construction. Its portfolio of leading brands includes ABZ Valve®, AFCON®, Anvil®, Anvil EPS, Anvil Services, Basic-PSA, Beck®, Catawissa, Cooplet®, FlexHead®, FPPI®, Gruklok®, J.B. Smith, Merit®, North Alabama Pipe, Quadrant®, SCI®, Sharpe®, SlideLOK®, SPF®, SprinkFLEX®, Trenton Pipe and VEP. With headquarters in Oak Brook, IL, ASC also has ISO 9001:2015 certified production facilities in PA, TN, IL, TX, AL, LA, KS, and RI.



asc-es.com

Building connections that last™

FC-DS-Series-EM-v03 20241218

