

# Enhanced Seismic Bracing for Fire Protection Systems

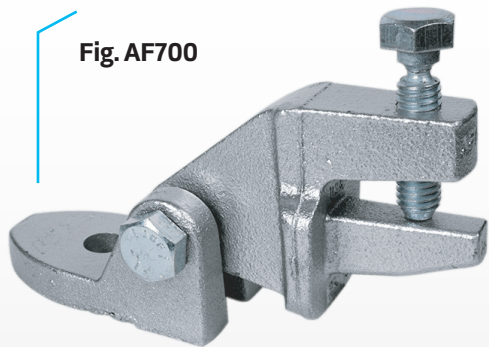


Fig. AF700

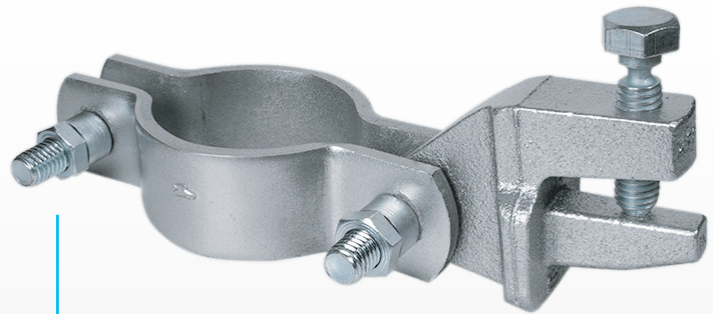


Fig. AF730



## About the Product

### Description

ASC Engineered Solutions™ Afcon® seismic swivel and clamp are designed to provide seismic bracing in fire protection systems, offering industry-leading prying factors allowing support of greater design loads in concrete and reduction of bracing required. Available with 1/2", 5/8" and 3/4" fastener holes for flexibility with a variety of anchor sizes, and featuring break away set screws that provide visual indication of proper install.

Both available in ASC's Seis Brace® seismic bracing design software allowing fast, accurate zone of influence calculations.

- Proudly Made in the U.S.A.
- Service 1" - 12" system pipe
- Fits 1" - 2" brace pipe
- Break away set screws and nuts
- Supported by SeisBrace® software

### Features & Benefits

- Unmatched prying factors
- Higher design loads for concrete installations
- Visual verification of torque
- Fast accurate Zone of Influence (ZOI) Calculations
- Complies with DOT, Military, Federal projects
- Specify one product for multiple brace pipe sizes and anchor diameters
- cULus listed and FM approved

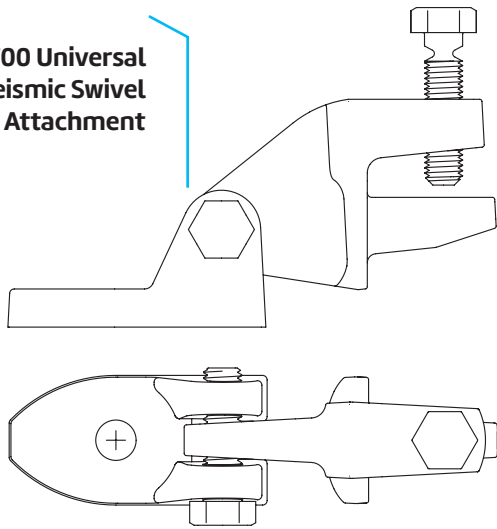
Please contact your local ASC Engineered Solutions sales representative.



asc-es.com

Building connections that last™

AF700 Universal Seismic Swivel Attachment



AF730 - Lateral / Longitudinal Seismic Bracing Clamp

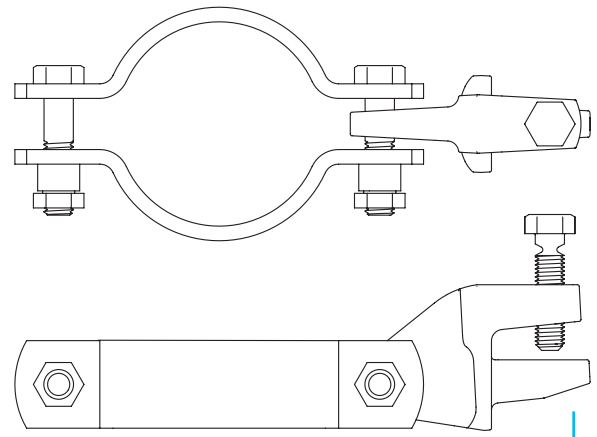


Fig. AF700 Horizontal Prying Factors (Pr) Per NFPA: Angles (Deg)

Brace Orientation*	A	B	C	D	E	F	G	H	I
Brace Angle**	30°-44°	45°-59°	60°-90°	30°-44°	45°-59°	60°-90°	30°-44°	45°-59°	60°-90°
Prying Factor (Pr)			0.91	1.41	1.45	2.00	1.83	1.29	1.06
Prying Factor (Pr) in metal deck	2.55	1.09	1.14	-	-	-	-	-	-

Brace Orientation\* per NFPA 13-2019 Figure 18.5.12.1

Brace Angles\*\* are determined from vertical.

Prying Factor calculated in accordance with NFPA 13-2019 Section A.18.5.12.2

Fig AF730: Dimensions & Weight

Size	1"(DN25)	1¼"(DN32)	1½"(DN40)	2"(DN50)	2½"	3"(DN80)
Weight	2.49 lbs (1.13 kg)	2.55 lbs (1.16 kg)	2.92 lbs (1.32 kg)	2.78 lbs (1.26 kg)	2.92 lbs (1.32 kg)	3.13 lbs (1.42 kg)

Fig AF730: Dimensions & Weight (Continued)

Size	4"(DN100)	5"	6"	8"	10"	12"
Weight	3.38 lbs (1.53 kg)	3.81 lbs (1.73 kg)	4.12 lbs (1.87 kg)	4.72 lbs (2.14 kg)	7.60 lbs (3.45 kg)	8.60 lbs (3.90 kg)



asc-es.com

Building connections that last™

