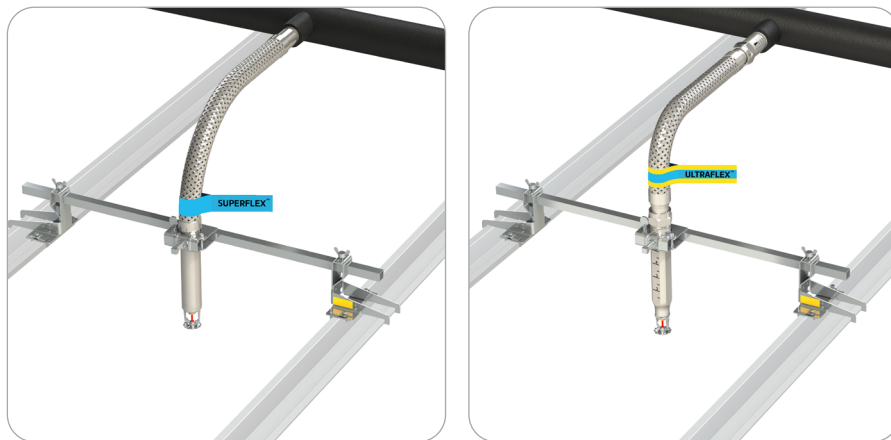


Fig. FH150 Hat Channel Bracket



For Listings/Approval Details and Limitations, visit our website at www.asc-es.com or contact an ASC Engineered Solutions™ Sales Representative.

Fig. FH150 cULus & FM Listed Hoses

Hose Figure #	cULus Listed	FM Approved
FH206 Series	✓	✓
FH306 Series	✓	✓
20XXSF	✓	✓
20XXSF-SLT	✓	✓
HB1*	✓	✓
HB-7 Series	✓	✓

***Note:** The HB1 is listed with the 7" long drop.

Product Specifications

Bracket Length

24 in

Material

Carbon Steel – Galvanized

Applications

- Hat Channel (Furring Channel)

Features

- The bracket length is adjustable to accommodate various hat channel widths and spacings.
- Open hub design allows for simplified hoses installation.
- The wide leg design prevents rotation and ensures stability.
- The bracket hub position is infinitely adjustable.

Ordering

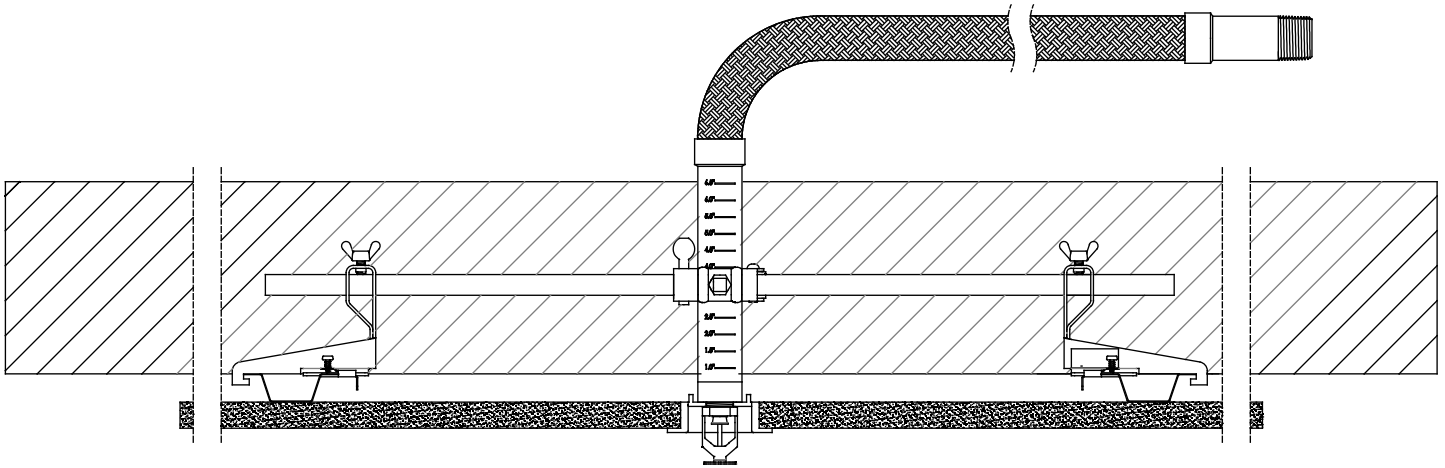
Specify figure number & description.



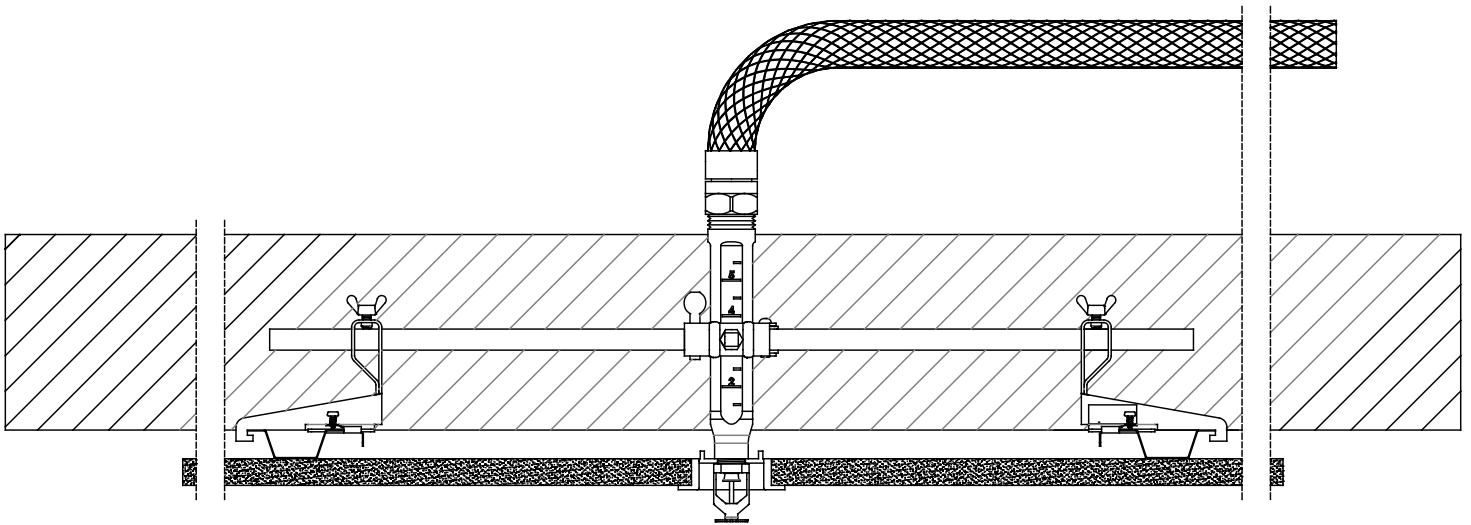
PROJECT INFORMATION	APPROVAL STAMP
Project:	Approved
Address:	Approved as noted
Contractor:	Not approved
Engineer:	Remarks:
Submittal Date:	
Notes 1:	
Notes 2:	

Fig. FH150 Hat Channel Bracket

Applications



Hat Channel Application
Shown with FH206 Series Hose



Hat Channel Application
Shown with FH306 Series Hose



asc-es.com

Building connections that last™

Fig. FH150 Hat Channel Bracket

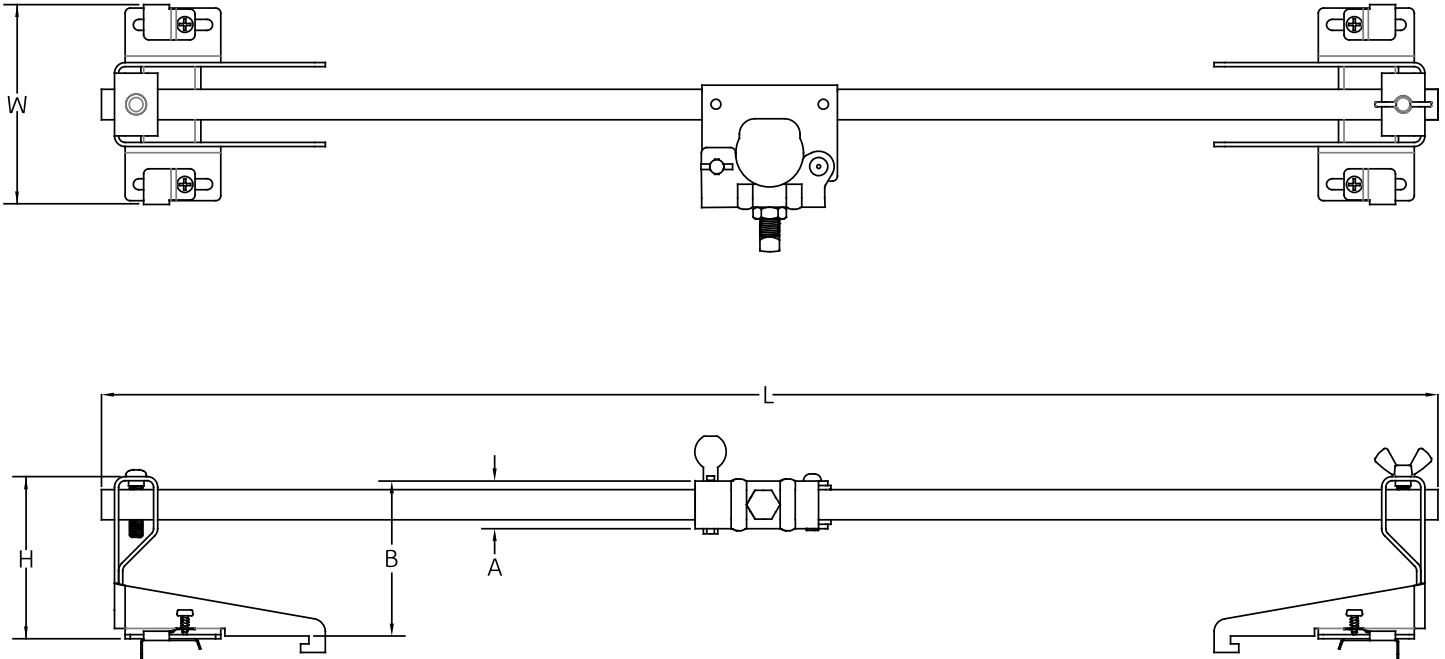


Fig. FH150 Dimensions

L	W	H	A	B
In/mm	In/mm	In/mm	In/mm	In/mm
26 660	6.00 152.4	3.16 80.3	0.93 23.6	3.06 77.7



asc-es.com

Building connections that last™



Fig. FH150 Hat Channel Bracket

Installation Instructions

Connection to Hat Channel

- 1 Determine the location of the sprinkler in the ceiling framing. Position the bracket legs in the desired location on the Hat Channel.
- 2 Position both bracket legs onto the Hat Channel so the end hooks clip onto the edge of the two hat channels.
- 3 Slide the screw clips out to the end of the other side of the hat channel so the bottom of the clip can slide under the hat channel edge. Press the screw clip all the way in as shown in the image. Screw the two screws through the hat channel into the bottom clip.

Note: The screws must be drilled perpendicular to the hat channel to align with the bottom tab holes.
- 4 The wing screws should be tightened hand tight plus ½ turn. (30 to 40 in/lbs).

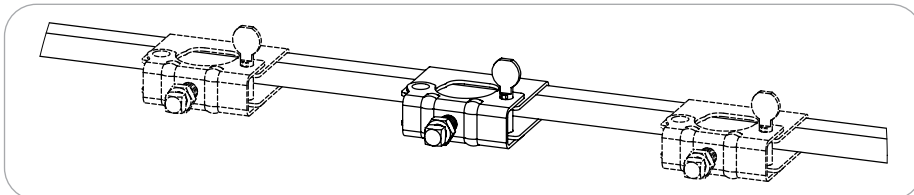


Adjusting the Bracket Leg Positions

- 1 Prior to installation of the bracket to structure, the legs may be moved along the length of the bracket cross bar until the desired position has been reached.
- 2 Loosen the wing screw. Slide the bracket clamping leg assembly to the desired position. Tighten the wing screws hand tight plus ½ turn. An adjustable crescent wrench is recommended.
- 3 The Bracket legs may be positioned to face either direction.

Adjusting the Bracket Hub

- 1 Prior to installation of the flexible hose drop, the bracket hub may freely move along the length of the bracket cross bar until the desired position has been reached.



asc-es.com

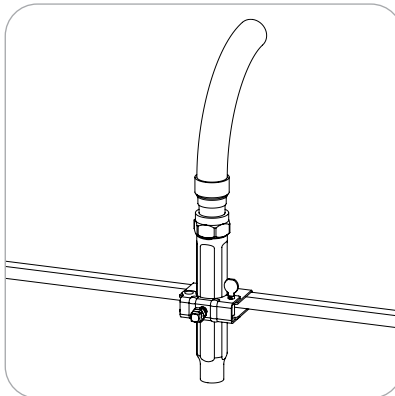
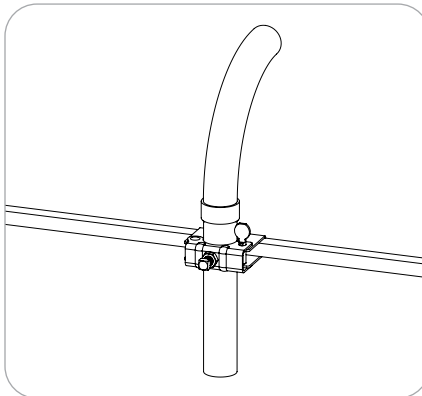
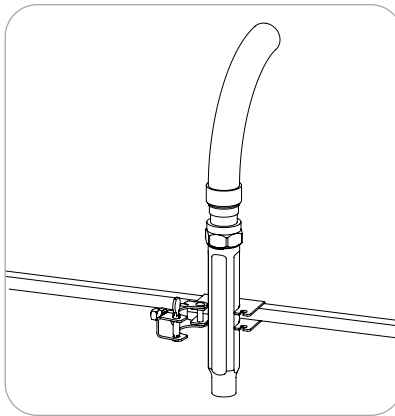
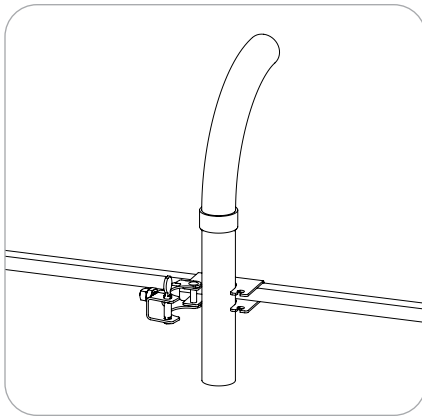
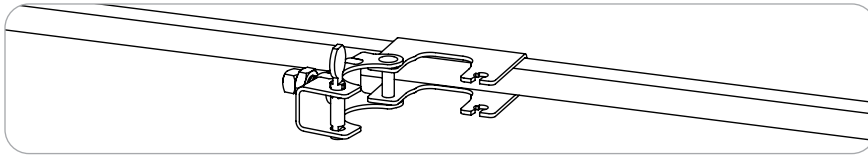
Building connections that last™

Fig. FH150 Hat Channel Bracket

Installation Instructions (Continued)

Connection to the Flexible Sprinkler Hose

- 1 Open the hinged door on the bracket hub assembly.



- 2 Slide the flexible hose drop into the hub.
- 3 Close the hinged door and lock the locking pin with a $\frac{1}{4}$ turn.
- 4 Ensure the flexible hose drop is straight and not applying a substantial moment on the bracket which may cause sprinkler misalignment.



asc-es.com

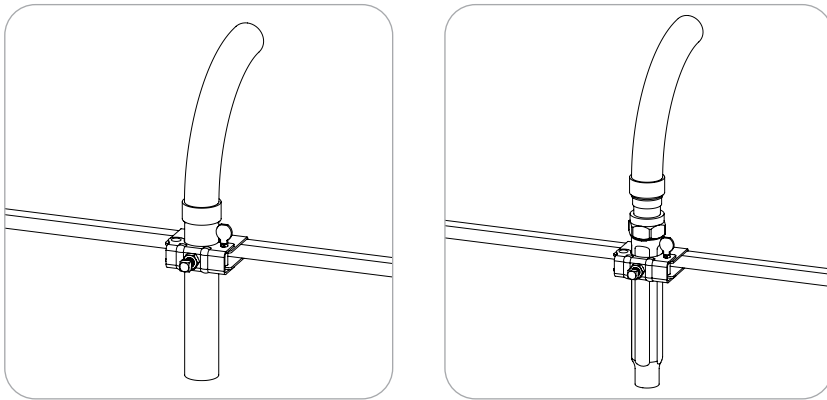
Building connections that last™

Fig. FH150 Hat Channel Bracket

Installation Instructions (Continued)

Connection to the Flexible Sprinkler Hose (Continued)

- 5 Adjust the flexible hose drop to the desired height.
- 6 Tighten the set screw hand-tight plus a $\frac{3}{4}$ turn (130 in-lbs) with a $\frac{7}{16}$ 12-point socket. Tighten the jam nut hand tight plus $\frac{1}{2}$ turn.



General Notes

Installation & maintenance of FlexHead products shall be in accordance with applicable local and federal codes (E.g. NFPA 13, NFPA 13R, NFPA 13D, NFPA 25, FM Datasheets, IBC).



asc-es.com

Building connections that last™