

SuperFlex® Hoses Fig. FH200 Hose Series



Fig. FH200 Hose Series cULus & FM Approved Brackets

FlexHead Bracket		FH206, FH206S, FH206G		FH225, FH225S, FH225G FH226, FH226S, FH226G	
Fig. #	Size	cULus	FM	cULus	FM
FH120 NEW	24"	✓	✓	✓	✓
	48"		✓		✓
FH150 NEW	24"	✓	✓		
	BKT-MPT	24"	✓	✓	
BKT-ADO	16"	✓	✓		
	24"	✓	✓		
	30"		✓		
	48"		✓		
BKT-MPO	24"		✓		
BKT-UH03	-		✓		

Product Specifications

Hose Figure Number

FH206	FH206S	FH206G
FH225	FH225S	FH225G
FH226	FH226S	FH226G

Hose Assembly Number

24in	60in
36in	72in
48in	

Outlet Thread Size (ASME B1.20.1)

½ NPT	¾ NPT
-------	-------

Inlet Nipple Style

FH2xx:	1 MNPT Thread
FH2xxS:	1 FP74 Coupling
FH2xxG:	1 NPS Groove

Pressure Rating

UL & FM: 175psi (1,205kPa)

Minimum Bend Radius

UL: 2.0in (50.8mm)

FM: 7.0in (177.8mm)

Ambient Temperature

300°F (145°C) Max

Material

304 Stainless Steel Hose

Features

- 100% Leak Tested Fully Welded Design
- Pre-Installed Sprinkler Head option available upon request
- Compliant with NFPA 13, 13R, & 13D
- Compliant with the FM Datasheets
- Wet, Dry, & Pre-Action Sprinkler Systems
- UL Listed for "Limited Flexibility".

Ordering

Specify figure number, length, outlet size, & description.



PROJECT INFORMATION	APPROVAL STAMP
Project:	Approved
Address:	Approved as noted
Contractor:	Not approved
Engineer:	Remarks:
Submittal Date:	
Notes 1:	
Notes 2:	

FH206 Series Straight Drop Hoses Fig. FH206, FH206S, FH206G

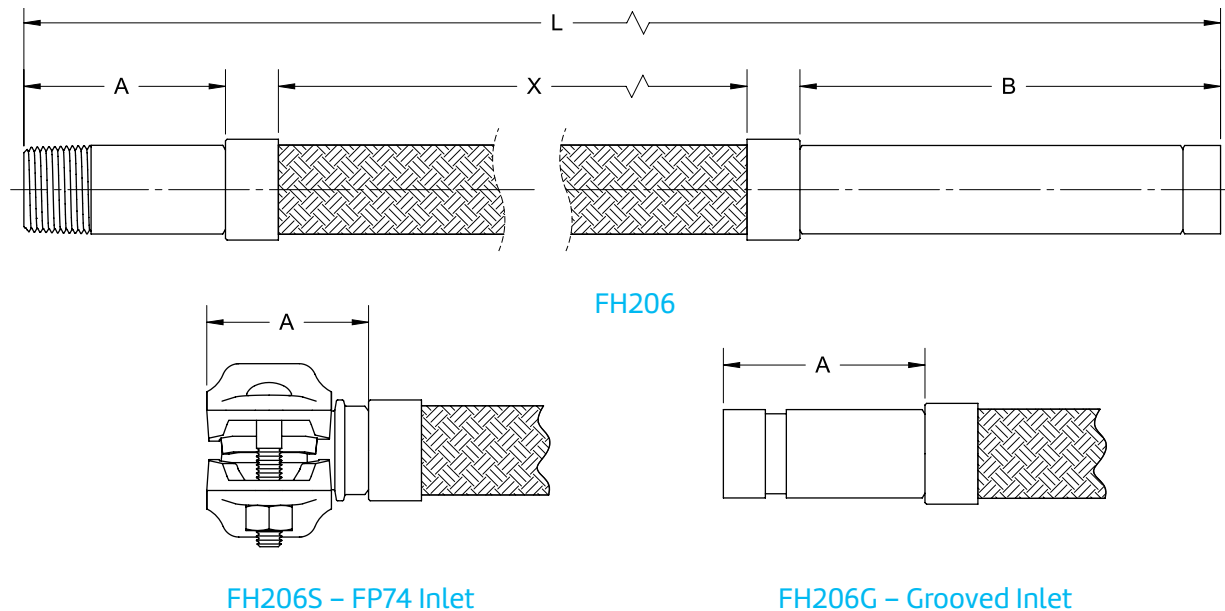


Fig. FH206 Series Dimensions

Assembly Length	True Length (L)		Braid Length (X)		Inlet Nipple Length (A)		Outlet Drop Length (B)	
	in	mm	in	mm	in	mm	in	mm
24	24.0	610	14.7	373				
36	36.0	914	26.7	678				
48	48.0	1219	38.7	983	3.0	76.2	6.3	160.0
60	60.0	1524	50.7	1288				
72	72.0	1829	62.7	1593				

1. The Inlet on the FH206 is a male 1 NPT thread.
2. The Inlet on the FH206S is the FP74 Coupling and may install on industry standard 1 NPS roll or cut grooves.
3. The Inlet on the FH206G is a 1 NPS cut groove and is compatible with industry standard 1 NPS couplings.
4. The listed & approved FlexHead brackets may be installed on the entire "B" section of the outlet drop.



asc-es.com

Building connections that last™

FH206 Series Straight Drop Hoses Fig. FH206, FH206S, FH206G

Fig. FH206 Series cULus Listing per UL 2443 & FM Approval (Listing) per FM 1637

Outlet Thread Size	Assembly Length	Equivalent Length							Max # of 90° Bends		
		UL		FM					UL		FM
		3-Bend	Max	k = 5.6	k = 8.0	k = 11.2	k = 14.0	k = 16.8	3-Bend	Max	
	In	ft/m	ft/m	ft/m	ft/m	ft/m	ft/m	ft/m	#	#	#
½ NPT	24		15 4.6	3.7 1.1	4.5 1.4	7.5 2.3	-	-	3	4	1
	36		27 8.2	16.2 4.9	16.9 5.2	11.5 3.5	-	-	3	5	2
	48		41 12.5	28.7 8.7	29.3 8.9	15.4 4.7	-	-	3	8	3
	60		53 16.1	41.2 12.6	41.7 12.7	19.3 5.9	-	-	3	10	3
	72	Coming Soon	62 18.9	53.9 16.4	54.3 16.6	23.2 7.1	-	-	3	12	4
¾ NPT	24		20 6.1	-	8.8 2.7	8.7 2.7	12.5 3.8	13.2 4.0	3	4	1
	36		27 8.2	-	21.5 6.6	21.6 6.6	21.8 6.6	22.0 6.7	3	5	2
	48		41 12.5	-	30.5 9.3	30.6 9.3	31.1 9.5	30.8 9.4	3	8	3
	60		50 15.2	-	39.5 12.0	39.6 12.1	40.4 12.3	39.6 12.1	3	10	3
	72		61 18.6	-	48.5 14.8	48.8 14.9	49.9 15.2	48.6 14.8	3	12	4

1. Equivalent Length of 1 NPS (DN25) Sch 40 Pipe.
2. Equivalent Lengths listed above assume the corresponding number of 90° bends listed to the right of the table.
3. A 90° bend can be achieved with two 45° bends or three 30° bends.



asc-es.com

Building connections that last™

FH225 & FH226 Series Elbow Drop Hoses Fig. FH225, FH225S, FH225G, FH226, FH226S, FH226G

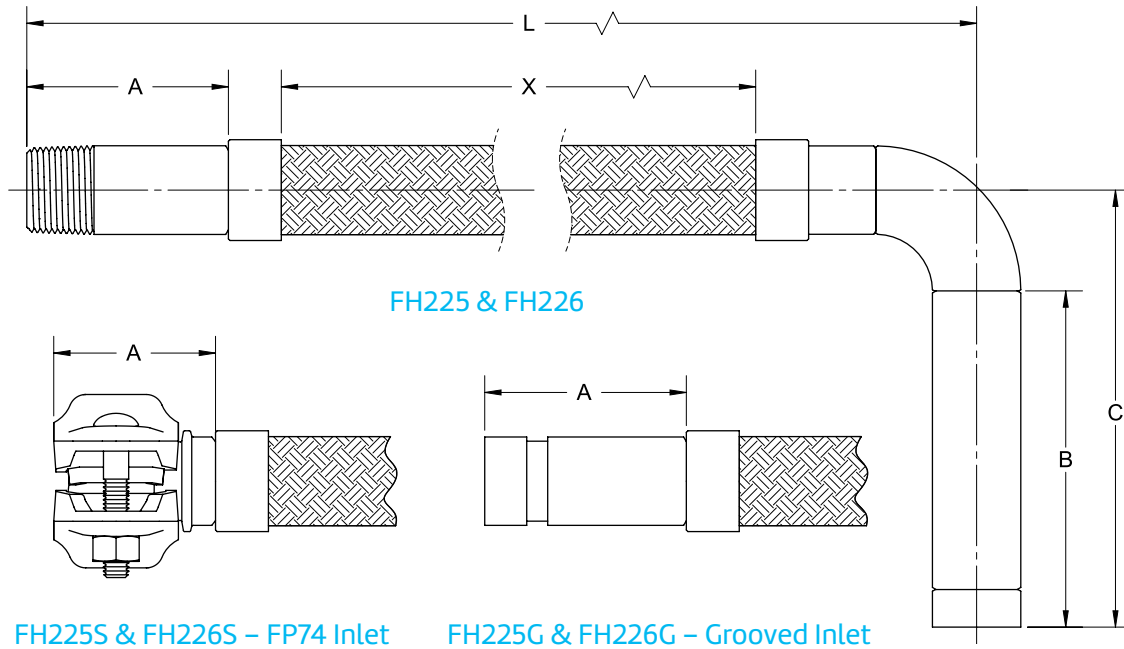


Fig. FH225 & FH226 Series Dimensions

Assembly Length	True Length (L)		Braid Length (X)		Inlet Nipple Length (A)		Outlet Drop Length (B)	Outlet Drop Length (C)
	in	mm	in	mm	in	mm		
24	21.6	549	14.7	373	-	-	-	-
36	33.6	853	26.7	678	-	-	-	-
48	45.6	1158	38.7	983	3.0	76.2	See Below	See Below
60	57.6	1463	50.7	1288	-	-	-	-
72	69.6	1768	62.7	1593	-	-	-	-

Dimensions (Continued)

Figure Number	Outlet Drop Length (B)		Outlet Drop Height (C)	
	in	mm	in	mm
FH225, FH225S, FH225G	5.0	127.0	6.5	165.0
FH226, FH226S, FH226G	6.3	160.0	7.8	198.0

1. The Inlet on the FH225 & FH226 is a male 1 NPT thread.
2. The Inlet on the FH225S & FH226S is the FP74 Coupling and may install on industry standard 1 NPS roll or cut grooves.
3. The Inlet on the FH225G & FH226G is a 1 NPS cut groove and is compatible with industry standard 1 NPS couplings.
4. The listed & approved FlexHead brackets may be installed on the entire "B" section of the outlet drop.



asc-es.com

Building connections that last™

FH225 Series Elbow Drop Hoses Fig. FH225, FH225S, FH225G

Fig. FH225 Series cULus Listing per UL 2443 & FM Approval (Listing) per FM 1637

Outlet Thread Size	Assembly Length	Equivalent Length							Max # of 90° Bends		
		UL		FM					UL		FM
		3-Bend	Max	k = 5.6	k = 8.0	k = 11.2	k = 14.0	k = 16.8	3-Bend	Max	
ft/m	ft/m	ft/m	ft/m	ft/m	ft/m	ft/m	#	#	#		
½ NPT	24	22 6.7	32.1 9.8	31.4 9.6	50.5 15.4	-	-	3	4	1	
	36	31 9.4	38.8 11.8	41.7 12.7	61.2 18.7	-	-	3	5	2	
	48	43 13.1	45.5 13.9	45.8 14.0	65.5 20.0	-	-	3	8	3	
	60	53 16.2	52.2 15.9	51.5 15.7	71.4 21.8	-	-	3	10	3	
	72	64 19.5	58.9 18.0	56.2 17.1	76.3 23.3	-	-	3	12	4	
¾ NPT	24	18 5.5	-	16.8 5.1	17.0 5.2	15.4 4.7	17.1 5.2	3	4	1	
	36	28 8.5	-	23.7 7.2	29.1 8.9	27.8 8.5	29.0 8.8	3	5	2	
	48	38 11.6	-	31.2 9.5	33.8 10.3	32.7 10.0	33.6 10.2	3	8	3	
	60	53 16.2	-	38.8 11.8	40.5 12.3	39.6 12.1	40.1 12.2	3	10	3	
	72	57 17.4	-	46.3 14.1	46.0 14.0	45.3 13.8	45.5 13.9	3	12	4	

1. Equivalent Length of 1 NPS (DN25) Sch 40 Pipe.
2. Equivalent Lengths listed above assume the corresponding number of 90° bends listed to the right of the table.
3. A 90° bend can be achieved with two 45° bends or three 30° bends.



asc-es.com

Building connections that last™

FH226 Series Elbow Drop Hoses Fig. FH226, FH226S, FH226G

Fig. FH226 Series cULus Listing per UL 2443 & FM Approval (Listing) per FM 1637

Outlet Thread Size	Assembly Length	Equivalent Length							Max # of 90° Bends		
		UL		FM					UL		FM
		3-Bend	Max	k = 5.6	k = 8.0	k = 11.2	k = 14.0	k = 16.8	3-Bend	Max	
ft/m	ft/m	ft/m	ft/m	ft/m	ft/m	ft/m	ft/m	#	#	#	
½ NPT	24	22 6.7	32.1 9.8	31.4 9.6	50.5 15.4	-	-	3	4	1	
	36	29 8.8	38.8 11.8	41.7 12.7	61.2 18.7	-	-	3	5	2	
	48	40 12.2	45.5 13.9	45.8 14.0	65.5 20.0	-	-	3	8	3	
	60	53 16.2	52.2 15.9	51.5 15.7	71.4 21.8	-	-	3	10	4	
	72	58 17.7	58.9 18.0	56.2 17.1	76.3 23.3	-	-	3	12	4	
¾ NPT	24	18 5.5	-	16.8 5.1	17.0 5.2	15.4 4.7	17.1 5.2	3	4	1	
	36	27 8.2	-	23.7 7.2	29.1 8.9	27.8 8.5	29.0 8.8	3	5	2	
	48	41 12.5	-	31.2 9.5	33.8 10.3	32.7 10.0	33.6 10.2	3	8	3	
	60	54 16.5	-	38.8 11.8	40.5 12.3	39.6 12.1	40.1 12.2	3	10	4	
	72	62 18.9	-	46.3 14.1	46.0 14.0	45.3 13.8	45.5 13.9	3	12	4	

COMING SOON

1. Equivalent Length of 1 NPS (DN25) Sch 40 Pipe.
2. Equivalent Lengths listed above assume the corresponding number of 90° bends listed to the right of the table.
3. A 90° bend can be achieved with two 45° bends or three 30° bends.



asc-es.com

Building connections that last™

SuperFlex® Hoses Fig. FH200 Hose Series

Installation Instructions

Connection to the Threaded Branch – FH206, FH225, FH226

- 1 Inspect both male and female threads prior to assembly. Threads should be free from mechanical damage, dirt, chips, and excess cutting oil. Clean components as necessary.
- 2 Apply pipe dope, sealant, or tape to the male NPT thread on the hose.
- 3 Thread into the branch outlet. Tighten the assembly wrench-tight by placing the pipe wrench on the pipe nipple section. Only place the pipe wrench on the unthreaded portion of the inlet nipple.
- 4 Typical wrench-tight makeup is 3 full turns past hand-tight. Typical hand-tight makeup is between 4½ to 5 turns.

Connection to the Grooved Branch – FH206S, FH225S, FH226S

- 1 Slide the FP74 coupling over the grooved end of the branch fitting until the key of the coupling is located over the grooves.
- 2 Tighten nuts equally and alternately (keeping the gaps at the bolt pads evenly spaced), until nuts reach 40-50 ft-lbs.
- 3 Installation per FP74 Installation Instructions. Visit www.asc-es.com for the current edition of the installation instructions.

Connection to the Grooved Branch – FH206G, FH225G, FH226G

- 1 The inlet nipple shall be connected to the branch outlet with a 1 NPS grooved coupling designed for installation with AWWA C606 grooves.

Connection to the Sprinkler Head

- 1 Install the sprinkler head into the outlet threads per the sprinkler manufacturer's installation instructions.
- 2 If installing a sprinkler to a hose after the hose has been connected to the bracket, it is best practice to prevent twisting of the bracket and hose by holding the outlet drop with a pipe wrench.

Connection to the Bracket

- 1 Installation of the hose to the bracket shall be per the bracket's installation instructions. See Page 1 for Listed and Approved brackets.

Bending the Hose

- 1 The hose may be bent to ensure the inlet nipple and outlet drop are in the desired locations.
- 2 The hose should never be bent to a radius less than minimum listed bend radius. The bend radius is defined to the center of the hose.
- 3 The hose must have at least one 90° bend. A 90° bend can be achieved with two 45° bends or three 30° bends.
- 4 For best performance, the bends in the hose should be as large and smooth as possible.

General Installation Notes

- 1 Never apply a wrench to the braided section of the hose.
- 2 The hose inlet may be installed in any direction from the branch.



asc-es.com

Building connections that last™