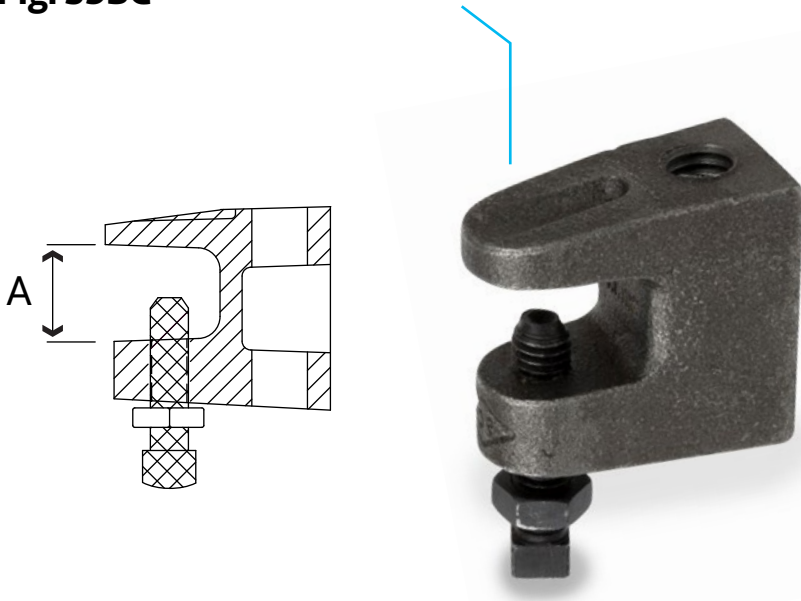


Universal C-type Clamp (Standard Throat) Fig. 35BC



Material Specifications

Size

3/8" Rod

Material

Ductile iron, hardened steel cup point set screw and locknut.

Finish

Plain

Zinc Plated (Hot-Dip Galvanized optional)

Service

Recommended for use under roof installations with bar joist or I-Beam type construction, or for attachment to the top or bottom flange of structural shapes where the vertical hanger rod is required to be offset from the edge of the flange and where the thickness of joist or flange does not exceed 3/4".

Approvals

Complies with Federal Specification A-A-1192A (Type 19 & 23), WW-H-171-E (Type 23), ANSI/MSS SP-69 and MSS SP-58 (Type 19 & 23). UL, ULC Listed and FM Approved.

How to size

Size of clamp is determined by size of rod to be used.

Installation

Follow recommended set screw torque values per MSS-SP-69.

Features

- They may be attached to horizontal flanges of structural members in either the top beam or bottom beam positions.
- Secured in place by a cup-pointed Set Screw tightened against the flange. A Jam Nut is provided for tightening the Set Screw against the Body Casting.
- Thru tapping of the body casting permits extended adjustment of the threaded rod.
- Can be used with AF090 or AF090R retaining clip for seismic applications.

Ordering

Specify rod size, figure number, name of clamp and finish.

Dimensions (In) – Load (Lbs) – Torque (In-Lbs) – Weight (Lbs)

| Rod Size | A | Torque Value | Design Loads ■ | | Weight |
|----------|-----|--------------|----------------|--------|--------|
| | | | Top | Bottom | |
| In. | In. | In.-Lbs. | Lbs. | Lbs. | Lbs. |
| 3/8 | 3/8 | 60 | 400 | 250 | 0.34 |

Note:

■ Maximum temperature of 450° F



| PROJECT INFORMATION | APPROVAL STAMP |
|---------------------|-------------------|
| Project: | Approved |
| Address: | Approved as noted |
| Contractor: | Not approved |
| Engineer: | Remarks: |
| Submittal Date: | |
| Notes 1: | |
| Notes 2: | |