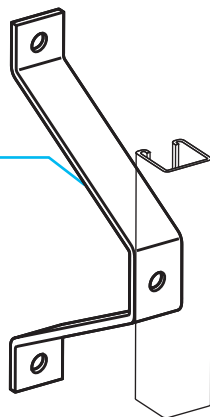


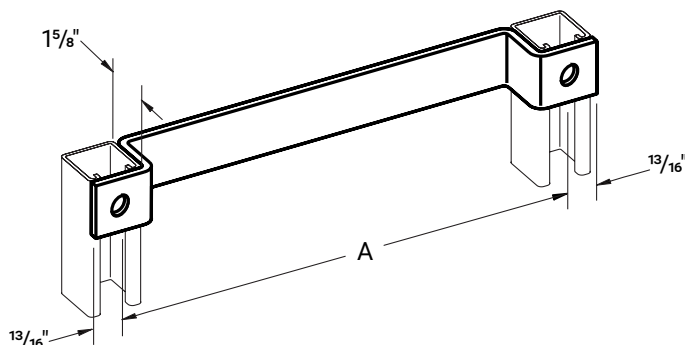
Wall Ladder Bracket
Figs. AS 2404, AS 2401, AS 2402, AS 2403, AS 2404, AS 2405, AS 2406, AS 2407, AS 2408, AS 9400, AS 9401



Description

Anvil-Strut Miscellaneous Fittings are designed to fit with all Anvil-Strut $1\frac{5}{8}$ " wide channels. Unless otherwise noted, Anvil-Strut Miscellaneous Fittings are manufactured from $\frac{1}{4}$ " thick carbon steel, $1\frac{5}{8}$ " wide, all holes are $\frac{9}{16}$ " diameter, spaced $1\frac{7}{8}$ " on center and $\frac{13}{16}$ " from the end.

Ladder Rung



AS 2401	GR, HG	Catalog No.	A	Wt./100 Pcs.
AS 2402	GR, HG	AS 2401	12"	170
AS 2403	GR, HG	AS 2402	15"	202
		AS 2403	18"	234

Std Pkg & Wt/100 pcs: See chart above.

Page notes unless otherwise specified: $\frac{1}{4}$ " thick, $1\frac{5}{8}$ " wide, holes $\frac{9}{16}$ " diameter, spaced $1\frac{7}{8}$ " on center and $\frac{13}{16}$ " from end.

LEGEND:

GR: Powder Coated Supr-Green **EG:** Electro-Galvanized **PG:** Pre-Galvanized **AL:** Aluminum
HG: Hot Dipped Galvanized **PL:** Plain **SS:** Stainless Steel
ZTC: Zinc Trivalent Chromium Stainless Steel (**SS**), Zinc Trivalent Chromium (**ZTC**) and Hot Dipped Galvanized (**HG**) are specialty finishes. Pricing is located in the Specialty Strut Section of the Anvil-Strut price book.

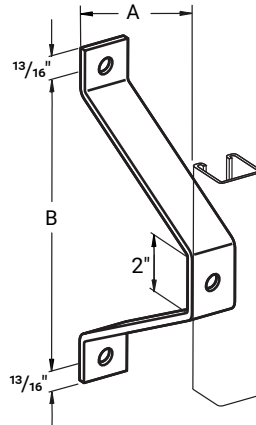


PROJECT INFORMATION	APPROVAL STAMP
Project:	Approved
Address:	Approved as noted
Contractor:	Not approved
Engineer:	Remarks:
Submittal Date:	
Notes 1:	
Notes 2:	

Wall Ladder Bracket

Figs. AS 2404, AS 2401, AS 2402, AS 2403, AS 2404, AS 2405, AS 2406, AS 2407, AS 2408, AS 9400, AS 9401

Wall Ladder Bracket

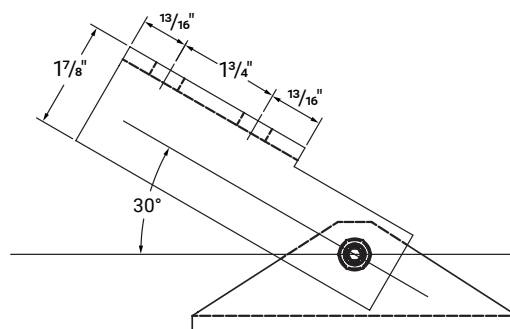
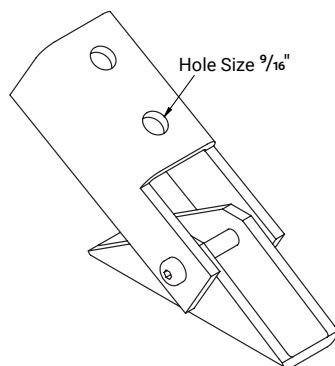


AS 2404	GR, HG
AS 2405	GR, HG
AS 2406	GR, HG
AS 2407	GR, HG
AS 2408	GR, HG

Catalog No.	A	B	Wt./100 Pcs.
AS 2404	2 ³ / ₈ "	6"	110
AS 2405	4 ³ / ₈ "	8"	164
AS 2406	6 ³ / ₈ "	10"	200
AS 2407	8 ³ / ₈ "	12"	253
AS 2408	10 ³ / ₈ "	14"	328

Std Pkg 10 - Wt/100 pcs: See chart above.

Adjustable Bases



AS 9400	EG, GR
AS 9401	EG, GR

Catalog No.	Description	Std. Pkg.	Wt./100 Pcs.
AS 9400	Adjustable Base	10	307
AS 9401	Double Adjustable Base	5	497

Std Pkg & Wt/100 pcs: See chart above.

LEGEND:

GR: Powder Coated Supr-Green **EG:** Electro-Galvanized **PG:** Pre-Galvanized **AL:** Aluminum
HG: Hot Dipped Galvanized **PL:** Plain **SS:** Stainless Steel **ZTC:** Zinc Trivalent Chromium.
 Stainless Steel (**SS**), Zinc Trivalent Chromium (**ZTC**) and Hot Dipped Galvanized (**HG**) are specialty finishes.
 Pricing is located in the Specialty Strut Section of the Anvil-Strut price book.