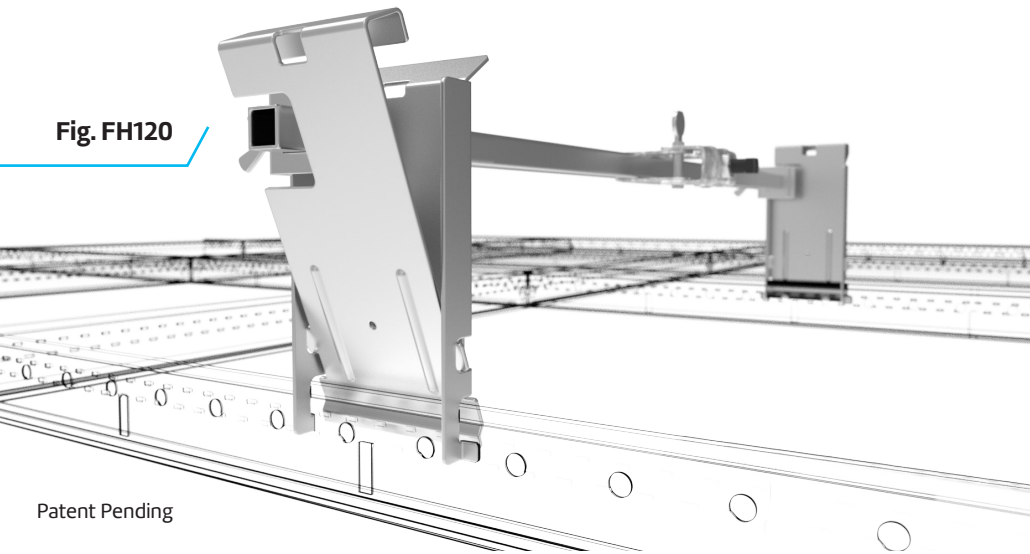


# Set, Snap, and Go!

## FlexHead FH120 Rapid Installation Bracket

Fig. FH120



Patent Pending

The **FH120** bracket is **50% to 75% faster** to **install** compared to **traditional brackets**.



Listed with FH200 Series SuperFlex, FH300 Series UltraFlex, and HB-7 SprinkFlex Hoses

### About the Product

#### Description

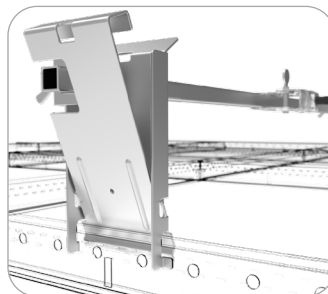
The FlexHead® FH120 Rapid Installation Bracket offers installers a cost-effective solution for connecting sprinklers to branch lines. The FH120 can be installed to suspended ceiling t-grids without specialty tools and hardware. The infinite adjustability of the bracket legs and hub allow for accurate placement of sprinklers in 16" to 48" ASTM C635 & C636 suspended ceiling, sidewall, and gypsum board ceiling applications in compliance with NFPA 13.

#### Applications

Suspended Ceilings per ASTM C635 & C636

Wood Framing – Gypsum or Dry Wall

Steel Framing – Gypsum or Dry Wall



#### Features & Benefits

- Bracket clamping design allows for easy installation to the suspended ceiling T-bar without power tools.
- The bracket length is adjustable to accommodate various ceiling sizes.
- Open hub design allows for simplified hose installation.
- The wide leg design prevents rotation and ensures stability.
- The bracket hub position is infinitely adjustable.
- Available tamper resistant options.



# Installation with Confidence

## FH200 Series Superflex V2 Hoses



Fig. FH206

The **FH200** welded hoses are the **industries** most **reliable** and **dependable** flexible **sprinkler hoses**



### The FH200 SuperFlex V2 Series

#### Description

The FH200 SuperFlex Hoses are available in lengths ranging from 24" to 72" and may be ordered with 1/2" and 3/4" NPT outlets. The FH200 Series includes the following hoses:

- FH206 Straight Hoses – 6.3" Straight Drop
- FH209 Straight Hoses – 9" Straight Drop
- FH225 Elbow Hose – 5" Elbow Drop
- FH226 Elbow Hose – 6.3" Elbow Drop

All hoses may be ordered with Threaded, Grooved, or SLT inlets.

#### Applications

- NFPA 13, 13R, & 13D
- Wet, Dry, and Pre-Action Sprinkler Systems

#### Bracket Options

- [FH120](#) Rapid Installation Bracket
- [FH150](#) Hat Channel bracket
- Legacy FlexHead brackets: BKT-MPT, BKT-ADO, & BKT-UHO3

#### Features & Benefits

- 2" UL Listed Bend Radius
- 7" FM Approved Bend Radius
- 175 psi Pressure Rating
- Fully Welded 304SS Braided Hose Assembly
- Pre-Installed Sprinkler Head option available (PIH)
- 100% leak tested.
- Easy to identify blue tag.
- cULus installations do not require a bend radius gauge.
- Replaces the Flexhead 20XXSF & 20XXSF-SLT.



# Installation with Flexibility

## FH300 Series UltraFlex Hose

The **FH300 series 3-piece modular hoses** provide **jobsite flexibility**. Install your hose **your way**.

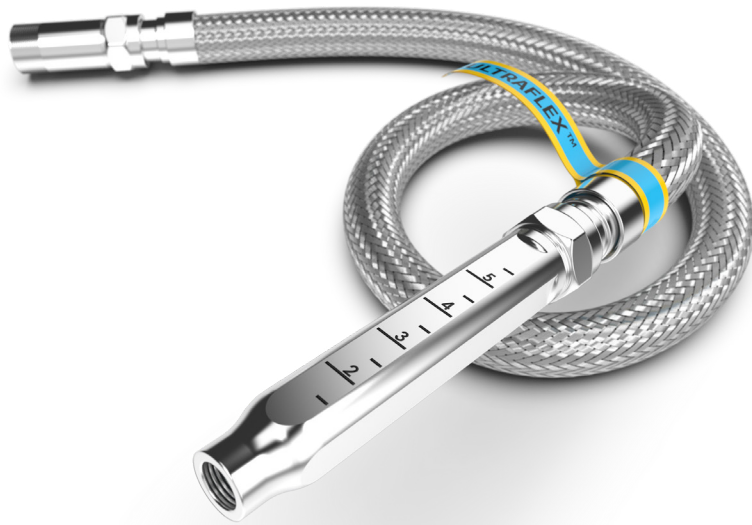


Fig. FH306

### Features & Benefits

- 2" UL Listed Bend Radius
- 7" FM Approved Bend Radius
- 175 psi Pressure Rating
- 304SS Braided Hose and Carbon Steel fitting components.
- Pre-Installed Sprinkler Head option available (PIH)
- 100% leak tested.
- Easy to identify blue & yellow tag.
- cULus installations do not require a bend radius gauge.
- Replaces the SprinkFlex HB1.

### The FH300 UltraFlex Series

#### Description

The FH300 UltraFlex Hoses are available in lengths ranging from 28" to 71" and may be ordered with ½ and ¾ NPT outlets. The FH300 Series includes the following hoses and fittings. **Note:** Fitting components sold separately.

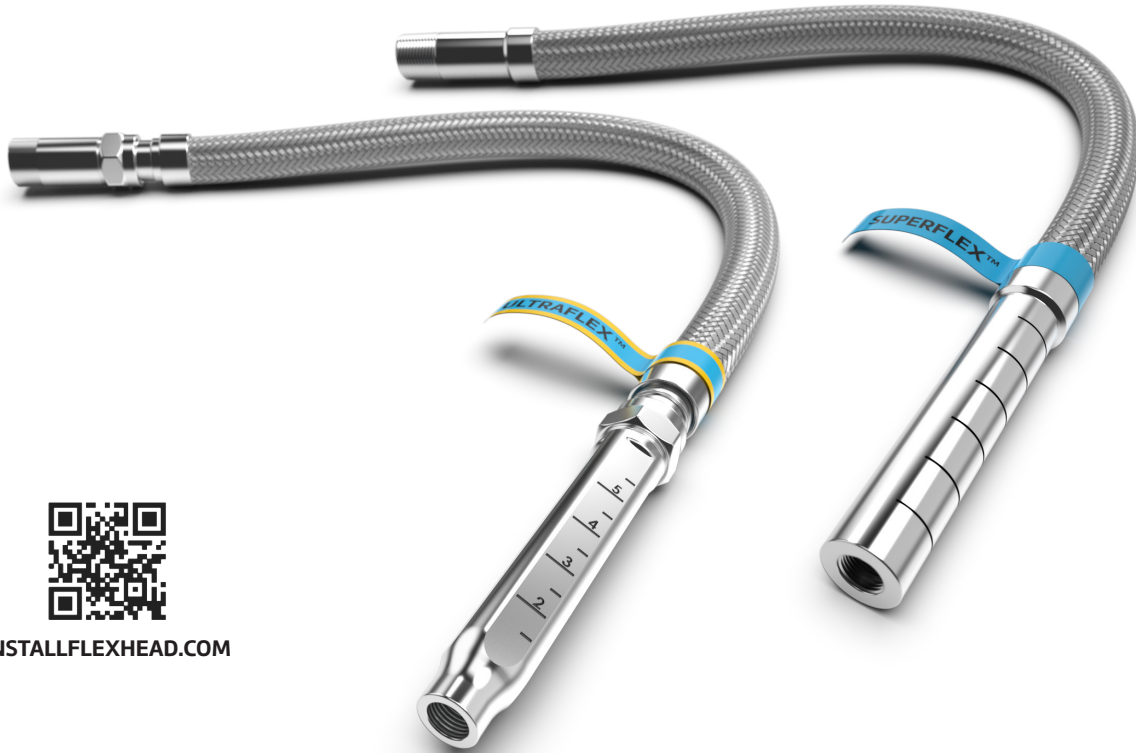
- FH306 Hoses – 6.3" Straight Drop
- FH306C Fitting – 6.3" Straight Drop Fittings
- FH325C & FH326 Fittings – 5" & 6.3" Elbow Drop Fittings
- FH391C, FH392C, & FH306C Fittings – 1" MNPT, 1" Groove, & 1" Weld Inlets

#### Applications

- NFPA 13, 13R, & 13D
- Wet, Dry, and Pre-Action Sprinkler Systems

#### Bracket Options

- FH120 Rapid Installation Bracket
- FH150 Hat Channel bracket
- Legacy SprinkFlex brackets: BKT-IPT & BKT-SFO4



INSTALLFLEXHEAD.COM

## FlexHead Solutions for Every Application

### Flexible Sprinkler Hose Solutions

- Pendant, Sidewall, & Concealed Sprinklers
- Institutional Sprinklers
- Insulated Metal Panel
- Cold Storage & Freezers
- Cleanrooms
- Duct Applications
- In-Rack Storage
- & More!

### Bracket Solutions

- ASTM C635 & C636 Acoustical Tile Grids
- Confined Spaces
- Wood & Steel Framing
- Hat Channel (Furring Channel)
- Threaded Rod
- Insulated Metal Panel
- Concrete/Masonry
- & More!

Please contact your local ASC Engineered Solutions sales representative.

