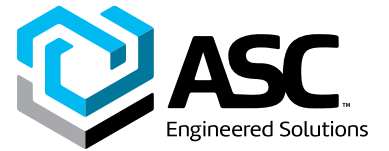


Building connections that last™



# Series 2948

Galvanized Compression Coupling



# Galvanized Compression Coupling SCI® Series 2948

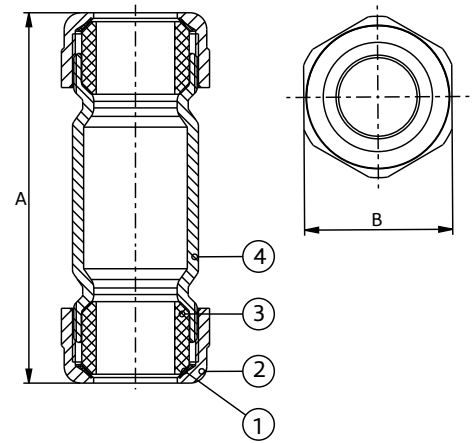


## Features

- Iron pipe size
- Max. 125 psi @ 180° F
- Seamless body and nut
- Zinc plated surface finish
- Long pattern

## Parts & Materials

No.	Part	Material
1	Ring	Steel
2	Nut	Steel
3	Gasket	Rubber NBR
4	Body	Steel



## Dimensions

Size	Part Number	Weight LB	A - Inches	B - Inches
½	02948200	1.0	4.02"	1.73"
¾	02948212	1.2	4.02"	1.95"
1	02948214	1.6	4.13"	2.24"
1¼	02948216	2.0	4.92"	2.80"
1½	02948218	2.4	4.92"	3.07"
2	02948220	3.6	5.31"	3.50"



asc-es.com

Building connections that last™