

Grooved End SPF Normally Closed Butterfly Valve  
**Fig. SPF-BFV-1-NC**



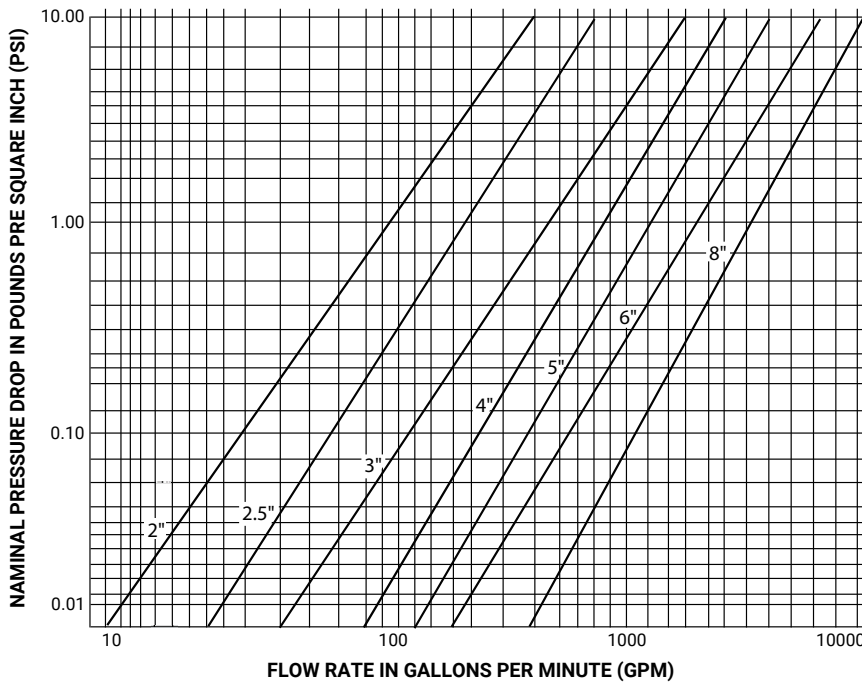
   
 For Listings/Approval Details and Limitations, visit our website at [www.asc-es.com](http://www.asc-es.com) or contact an ASC Engineered Solutions Sales Representative.

The Figure SPF BFV-1-NC Grooved End SPF Normally Closed Butterfly Valve is UL Listed and FM Approved as a system control valve. The valve is rated at 300 psi for steel pipe in the 2 1/2" to 8" sizes. The 2 1/2" to 8" sizes are agency rated for both indoor and outdoor service.

The valve is supplied with two internal switches. One is wired for supervisory service and the other is wired for use as an auxiliary switch. Both switches are rated for 16 amp at 125, 250 VAC and 0.6 amp at 125 VDC, 0.3 amp at 250 VDC. The switches and actuator internal spaces are protected from tampering.

The ductile iron valve body is coated with a durable epoxy to ensure long term service. The valve features double-seal disc design encapsulated with EPDM. The valve stems are 431 stainless steel. Detailed instructions for valve installation and switch wiring are included with each valve.

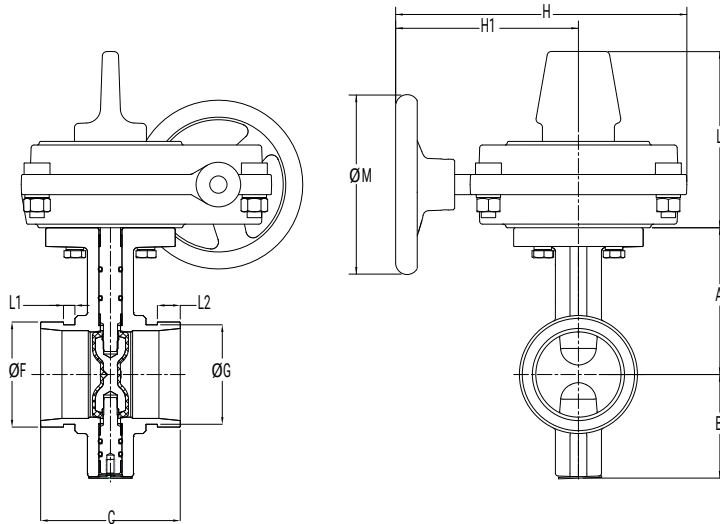
**Pressure Drop (PSI) Vs. (GPM)**



 **SPF ANVIL**  
 An ASC Engineered Solution

PROJECT INFORMATION	APPROVAL STAMP
Project:	Approved
Address:	Approved as noted
Contractor:	Not approved
Engineer:	Remarks:
Submittal Date:	
Notes 1:	
Notes 2:	

## Grooved End SPF Normally Closed Butterfly Valve Fig. SPF-BFV-1-NC



### Material Specifications

- 1. Body**  
Ductile Iron per ASTM A536, 65-45-12
- 2. Body Coating**  
Fusion Bonded Epoxy in accordance with ANSI/AWWA C550
- 3. Upper Shaft**  
Stainless Steel per AISI 431
- 4. Lower Shaft**  
Stainless Steel per AISI 431
- 5. Disc**  
Ductile Iron per ASTM A536, 65-45-12 and EPDM
- 6. O-Ring**  
Nitrile
- 7. Gearbox Body**  
Ductile Iron per ASTM A536, 65-45-12
- 8. Hex Nut**  
Zinc Plated Carbon Steel

**Fig. SPF-BFV-1-NC/ULC/FM Butterfly BFV Valve Normally Closed**

Valve Size	Pipe O.D.	Valve Dimensions										
		A	B	C	F	G	L	L1	L2	H1	H	M
In./DN(mm)	In./mm	In./mm	In./mm	In./mm	In./mm	In./mm	In./mm	In./mm	In./mm	In./mm	In./mm	In./mm
2 50	2.375 60.3	3.50 89	2.56 65.00	3.19 81.00	2.37 60.3	2.26 57.5	4.82 122.5	0.31 7.93	0.63 15.88	5.00 127	7.96 202.2	4.92 125
2½ 65	2.875 73	4.02 102	2.80 71	3.82 97	2.87 73.0	2.72 69.09	4.82 122.5	0.31 7.93	0.63 15.88	5.00 127	7.96 202.2	4.92 125
3 80	3.500 88.9	4.29 109	3.19 81	3.82 97	3.50 88.9	3.34 84.94	4.82 122.5	0.31 7.93	0.63 15.88	5.00 127	7.96 202.2	4.92 125
4 100	4.500 114.3	5.04 128	3.74 95	4.57 116	4.50 114.3	4.33 110.08	4.82 122.5	0.38 9.53	0.63 15.88	5.00 127	7.96 202.2	4.92 125
6 150	6.625 168.3	6.02 153	5.24 133	5.83 148	6.63 168.3	6.46 163.96	4.82 122.5	0.38 9.53	0.63 15.88	5.00 127	7.96 202.2	8.86 225
8 200	8.625 219.1	7.24 184	6.46 164	5.24 133	8.63 219.1	8.44 214.40	4.82 122.5	0.44 11.10	0.75 19.05	7.28 185	10.24 260.2	8.86 225

**Note:** Valve must not be installed with disc in full open position. Disc must be partly closed so that no part is protruding beyond end of valve body.

### CV Values

Valve Size	Disc Position							
	20°	30°	40°	50°	60°	70°	80°	90°
In	(Degrees Open)							
2½	9	16	27	43	84	106	176	226
3	13	23	39	64	126	161	261	326
4	18	43	74	121	236	306	511	591
5	46	89	156	251	491	626	1001	1126
6	90	146	251	411	801	1031	1651	1951
8	149	251	421	701	1301	1751	2726	3251

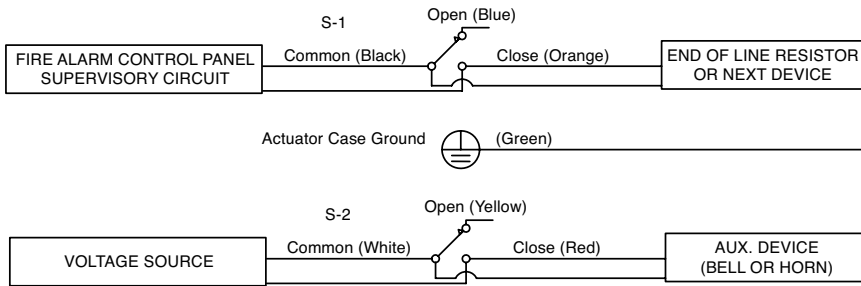


asc-es.com

Building connections that last™

## Grooved End SPF Normally Closed Butterfly Valve Fig. SPF-BFV-1-NC

### Actuator Wiring



#### Notes:

1. Single Pole Double Throw Switch wired "Normally Closed"; supplied with Dual Wire leads.
2. Switch Schematic shown with Valve in the Full Open Position



asc-es.com

Building connections that last™