

HB-Mega Series HB-Mega-Support with Pre-Galvanized Steel Channel with Rollers



The HBS-MEGA-R Series are designed for superior support of natural gas and refrigeration pipes. The roller allows for longitudinal movements of the pipe. This support is suitable for most types of roofing material or flat surfaces.

Rooftop supports come pre-assembled.

Specifications

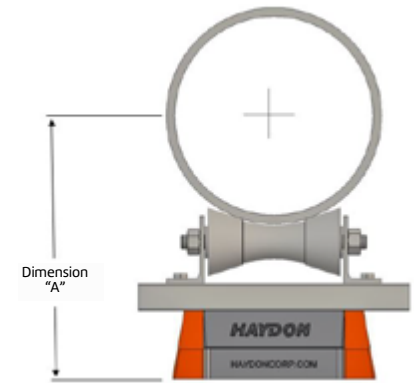
H-Block Support with 1⁵/₈" H-132 Channel and Rollers

Base Material

100% recycled rubber

Pipe O.D.

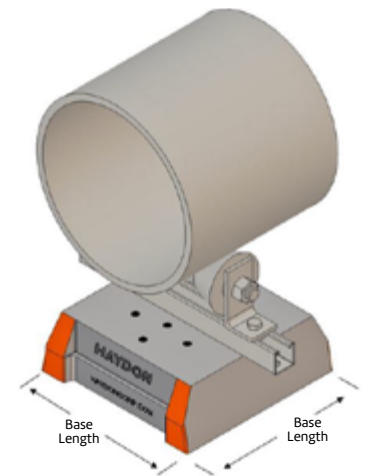
8⁵/₈" thru 20"



HB-Mega-R-Roller-Series with 1⁵/₈" H-132 Pre-Galvanized Steel Channel with Rollers

Model No.	Nom. Pipe Size	Pipe OD	Dist. From Bottom of Base to Center of Pipe (DIM A)	Base Length	Weight (Lbs)	Uniform Load Capacity (Lbs)*	Safety Factor
HB-MEGA-R12-8-10-H-132-PG	8"	8 ⁵ / ₈ " (219 mm)	13 ¹ / ₂ " (356 mm)	12" (305 mm)	22.41	2,100*	3.5
HB-MEGA-R12-8-10-H-132-PG	10"	10 ³ / ₄ " (42 mm)	14 ⁹ / ₁₆ " (384 mm)	12" (305 mm)	22.41	2,100*	3.5

*This load is only for the capacity of the components in this assembly. Please consult roofing manufacturer or engineer for roof load capacity. Complies with MSS-SP-58-2018 (Type 63).



PROJECT INFORMATION	APPROVAL STAMP
Project:	Approved
Address:	Approved as noted
Contractor:	Not approved
Engineer:	Remarks:
Submittal Date:	
Notes 1:	
Notes 2:	