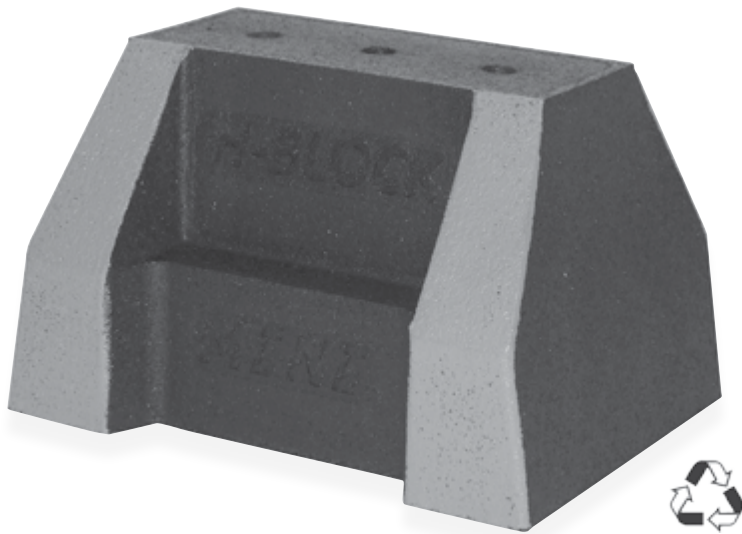


## HBM-Base Rubber Support – Base Only HBM-Mini-Base Only



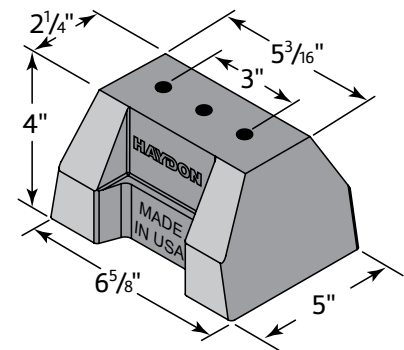
### Specifications

- H-Block Mini Support

### Material

- 100% recycled rubber, UV resistant

A cost-effective method for mounting and supporting single pipe applications without losing strength and integrity.



### HBM-Base Rubber Support – Base Only

| Model No.          | Height      | Width       | Base Length                              | Weight (Lbs.) | Uniform Load Capacity (Lbs.)* |
|--------------------|-------------|-------------|--|---------------|-------------------------------|
| HBM-Mini Base Only | 4" (101 mm) | 5" (127 mm) | 6 <sup>5</sup> / <sub>8</sub> " (168 mm) | 2.50          | 400*                          |

\*This load is only for the capacity of the components in this assembly. Please consult roofing manufacturer or engineer for roof load capacity.

### LEGEND:

**PG:** Pre-Galvanized • **HG:** Hot Dipped Galvanized  
Pricing is located in the ASC Engineered Solutions™ H-Block price book.



| PROJECT INFORMATION | APPROVAL STAMP    |
|---------------------|-------------------|
| Project:            | Approved          |
| Address:            | Approved as noted |
| Contractor:         | Not approved      |
| Engineer:           | Remarks:          |
| Submittal Date:     |                   |
| Notes 1:            |                   |
| Notes 2:            |                   |