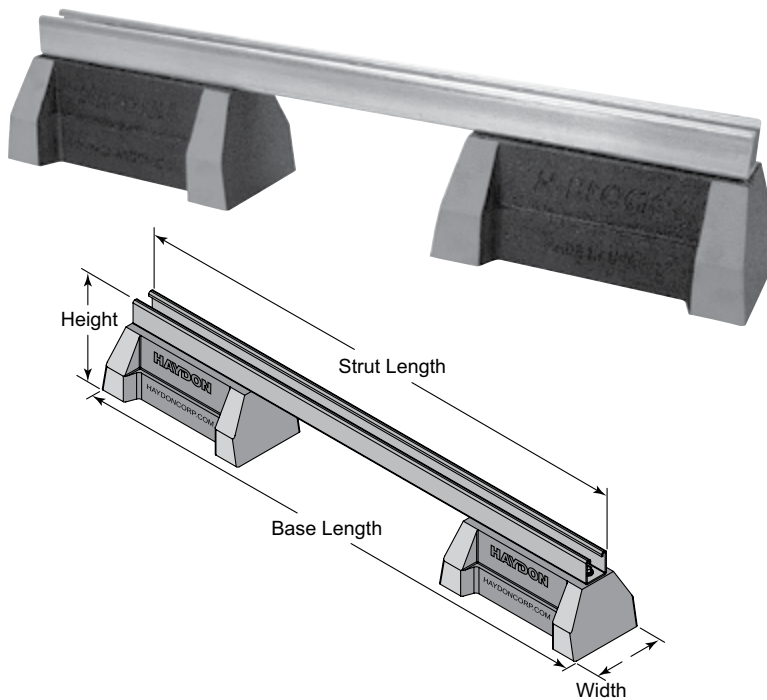


Bridge Length Supports with 2 HBS Bases and Channel HBS- CB Bridge Series, PG, HG



Like all of the H-Block supports, the HBS-CB-Bridge Series is perfect for supporting natural gas and refrigeration piping systems, cable tray, electrical conduit, multiple lines, HVAC equipment and many other applications.

The HBS-CB Series provides a longer mounting surface with strut lengths up to 60".

The HBS-CB-Bridge Series is UV resistant and suitable for installation on most types of roofing material or other flat surfaces.

Roof supports come pre-assembled.

Specifications: HBS-CB Series

Base - Bridge style support with two H-Block Bases & 1⁵/₈" Galv. H-132 Steel Channel

Material: 100% recycled rubber, UV resistant

HBS-CB-Bridge Series – Bridge Length Supports with 2 HBS Bases and Channel

Model No.	Height	Width	Strut Length	Base Length	Weight (Lbs)	Uniform Load Capacity (Lbs)*
HBS-CB10-28-H-132-PG			28" (711 mm)	29 ³ / ₄ " (756 mm)	13.96	1,480*
HBS-CB10-36-H-132-PG			36" (914 mm)	37 ³ / ₄ " (959 mm)	15.18	1,150*
HBS-CB10-42-H-132-PG	5 ⁵ / ₈ " (143 mm)	5" (127 mm)	42" (1067 mm)	43 ³ / ₄ " (1111 mm)	16.09	985*
HBS-CB10-50-H-132-PG			50" (1270 mm)	51 ³ / ₄ " (1314 mm)	17.31	825*
HBS-CB10-60-H-132-PG			60" (1524 mm)	61 ³ / ₄ " (1568 mm)	18.84	685*

*This load is only for the capacity of the components in this assembly. Please consult roofing manufacturer or engineer for roof load capacity

LEGEND:

PG: Pre-Galvanized **HG:** Hot Dipped Galvanized

Pricing is located in the ASC Engineered Solutions™ H-Block price book.

PROJECT INFORMATION	APPROVAL STAMP
Project:	Approved
Address:	Approved as noted
Contractor:	Not approved
Engineer:	Remarks:
Submittal Date:	
Notes 1:	
Notes 2:	