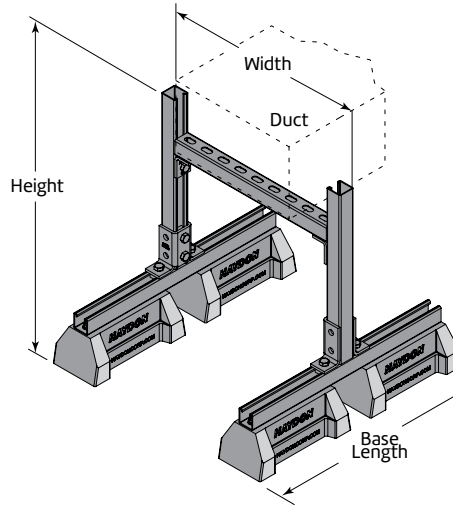


## HBS-DS-Duct Support Series with Adjustable Width and Height HBS-DSAW Adjustable Duct Support PG, HG



The HBS-DSAW Series is designed specifically for supporting duct work. The telescopic cross beam provides easy size adjustments.

A wide range of support widths are provided from 19<sup>1</sup>/<sub>4</sub>" to 103<sup>5</sup>/<sub>8</sub>".

**Specifications:**

HBS-DSAW  
Adjustable Width & Height.  
All hardware required for assembly is included.

**Base Material:**

100% recycled rubber, UV resistant

**Telescopic Crossbeams:**

1<sup>5</sup>/<sub>8</sub>" H-132-RS3 Channel

### HBS-DS Duct Support Series with Adjustable Width and Height

Model No.	Width		Height	Base Length	No. of Bases	Weight (Lbs)	Uniform Load Capacity (Lbs)*
	Minimum	Maximum					
HBS-DSAW-29-20-26-H-132-PG	19 <sup>1</sup> / <sub>4</sub> " (489 mm)	26 <sup>3</sup> / <sub>4</sub> " (679 mm)	28.813" (732 mm)	10 <sup>7</sup> / <sub>8</sub> " (276 mm)	2	29.61	1,080*
HBS-DSAW-29-25-39-H-132-PG	24 <sup>7</sup> / <sub>8</sub> " (632 mm)	39 <sup>7</sup> / <sub>8</sub> " (1013 mm)		24" (610 mm)	4	46.47	510*
HBS-DS2AW-29-38-62-H-132-PG	38" (965 mm)	62 <sup>3</sup> / <sub>8</sub> " (1575 mm)	36" (914 mm)	36" (914 mm)	6	66.90	305*
HBS-DS3AW-29-63-103-H-132-PG	62 <sup>3</sup> / <sub>8</sub> " (1584 mm)	103 <sup>5</sup> / <sub>8</sub> " (2617 mm)		10 <sup>7</sup> / <sub>8</sub> " (276 mm)	2	30.61	1,080*
HBS-DSAW-36-20-26-H-132-PG	19 <sup>1</sup> / <sub>4</sub> " (489 mm)	26 <sup>3</sup> / <sub>4</sub> " (679 mm)	36" (914 mm)	10 <sup>7</sup> / <sub>8</sub> " (276 mm)	2	32.19	810*
HBS-DSAW-36-25-39-H-132-PG	24 <sup>7</sup> / <sub>8</sub> " (632 mm)	39 <sup>7</sup> / <sub>8</sub> " (1013 mm)		24" (610 mm)	4	47.47	510*
HBS-DS2AW-36-38-62-H-132-PG	38" (965 mm)	62 <sup>3</sup> / <sub>8</sub> " (1575 mm)	36" (914 mm)	36" (914 mm)	6	67.90	305*
HBS-DS3AW-36-63-103-H-132-PG	62 <sup>3</sup> / <sub>8</sub> " (1584 mm)	103 <sup>5</sup> / <sub>8</sub> " (2617 mm)					

\*This load is only for the capacity of the components in this assembly. Please consult roofing manufacturer or engineer for roof load capacity

**LEGEND:**

**PG:** Pre-Galvanized **HG:** Hot Dipped Galvanized  
Pricing is located in the ASC Engineered Solutions™ H-Block price book.

PROJECT INFORMATION	APPROVAL STAMP
Project:	Approved
Address:	Approved as noted
Contractor:	Not approved
Engineer:	Remarks:
Submittal Date:	
Notes 1:	
Notes 2:	