

HBS-DS Duct Support Series with Fixed Width and Adjustable Height HBS-DSFW Fixed Width Duct Support, PG, HG

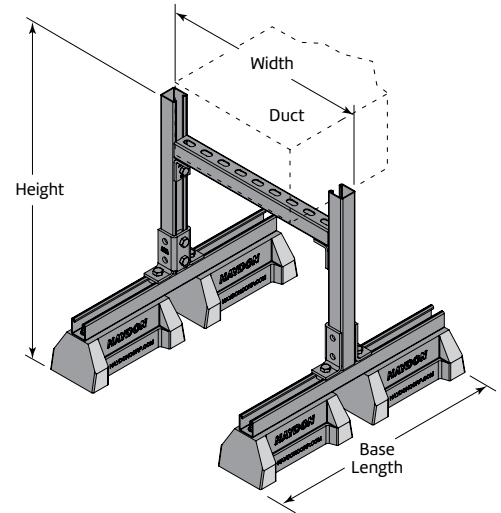


The HBS-DSFW Series is designed specifically for supporting duct work.

Specifications: HBS-DSFW
Fixed Width & Height.
All hardware required for assembly is included.

Base Material: 100% recycled rubber, UV resistant

Crossbeams: 1⁵/₈" H-132-OS (9/₁₆" slot) Channel



HBS-DS Duct Support Series with Fixed Width and Adjustable Height

Model No.	Height	Width	Base Length	No. of Bases	Weight (Lbs)	Uniform Load Capacity (Lbs)*
HBS-DS2FW-23-18-H-132-PG	23" (584 mm)	18" (457 mm)	24" (610 mm)	4	39.80	2,030*
HBS-DS2FW-23-24-H-132-PG		24" (610 mm)			40.67	1,520*
HBS-DS2FW-23-36-H-132-PG		36" (914 mm)			42.33	1,010*
HBS-DS2FW-23-48-H-132-PG		48" (1219 mm)			43.99	755*
HBS-DS2FW-29-18-H-132-PG	29" (737 mm)	18" (457 mm)	24" (610 mm)	4	41.58	2,030*
HBS-DS2FW-29-24-H-132-PG		24" (610 mm)			42.41	1,520*
HBS-DS2FW-29-36-H-132-PG		36" (914 mm)			44.08	1,010*
HBS-DS2FW-29-48-H-132-PG		48" (1219 mm)			45.74	755*
HBS-DS2FW-41-18-H-132-PG	41" (1041 mm)	18" (457 mm)	24" (610 mm)	4	45.07	2,030*
HBS-DS2FW-41-24-H-132-PG		24" (610 mm)			45.90	1,520*
HBS-DS2FW-41-36-H-132-PG		36" (914 mm)			47.56	1,010*
HBS-DS2FW-41-48-H-132-PG		48" (1219 mm)			49.22	755*
HBS-DS3FW-53-18-H-132-PG	53" (1346 mm)	18" (457 mm)	36" (914 mm)	6	62.23	2,030*
HBS-DS3FW-53-24-H-132-PG		24" (610 mm)			63.06	1,520*
HBS-DS3FW-53-36-H-132-PG		36" (914 mm)			64.72	1,010*
HBS-DS3FW-53-48-H-132-PG		48" (1219 mm)			66.38	755*

*This load is only for the capacity of the components in this assembly. Please consult roofing manufacturer or engineer for roof load capacity.

LEGEND:

PG: Pre-Galvanized **HG:** Hot Dipped Galvanized
Pricing is located in the ASC Engineered Solutions™ H-Block price book.

PROJECT INFORMATION	APPROVAL STAMP
Project:	Approved
Address:	Approved as noted
Contractor:	Not approved
Engineer:	Remarks:
Submittal Date:	
Notes 1:	
Notes 2:	