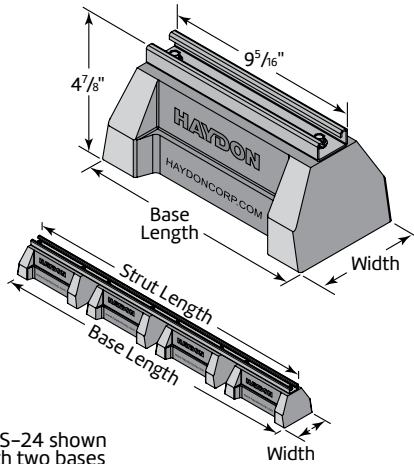


## HBS Support with Steel Channel HBS Series, PG, HG



HBS-24 shown with two bases



Like all of the H-Block supports, the HBS Series is perfect for supporting natural gas and refrigeration piping systems, cable tray, electrical conduit, multiple lines, HVAC equipment and many other applications.

The HBS Series provides a longer mounting surface with strut lengths up to 46<sup>3</sup>/<sub>8</sub>". Standard strut mount pipe clamps are used to secure the pipes.

The HBS Series is suitable for installation on most types of roofing material or other flat surfaces. Roof supports come pre-assembled.

**Specifications:** HBS Series

H-Block Support with:

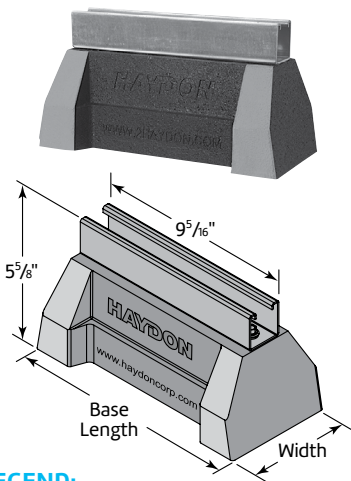
<sup>13</sup>/<sub>16</sub>" H-164 Channel, or <sup>1</sup>/<sub>2</sub>" H-132 Channel

**Material:** 100% recycled rubber, UV resistant

### HBS-Support with <sup>13</sup>/<sub>16</sub>" H-164 Channel

Model No.	Height	Width	No. of Bases Required	Strut Length	Base Length	Weight (Lbs)	Uniform Load Capacity (Lbs)*
HBS-10-H-164-PG			1	9.312" (237 mm)	10 <sup>7</sup> / <sub>8</sub> " (276mm)	5.62	1,500*
HBS-24-H-164-PG	4 <sup>7</sup> / <sub>8</sub> " (124 mm)	5" (127 mm)	2	22.375" (568 mm)	24" (610mm)	11.56	3,000*
HBS-36-H-164-PG			3	34.375" (873 mm)	36" (914mm)	17.41	4,500*
HBS-48-H-164-PG			4	46.375" (1178 mm)	48" (1219mm)	23.25	6,000*

\*This load is only for the capacity of the components in this assembly. Please consult roofing manufacturer or engineer for roof load capacity



### HBS-Support with <sup>1</sup>/<sub>2</sub>" H-132 Channel

Model No.	Height	Width	No. of Bases Required	Strut Length	Base Length	Weight (Lbs)	Uniform Load Capacity (Lbs)*
HBS-10-H-132-PG			1	9.312" (237 mm)	10 <sup>7</sup> / <sub>8</sub> " (276 mm)	6.26	1,500*
HBS-24-H-132-PG	5 <sup>5</sup> / <sub>8</sub> " (143 mm)	5" (127 mm)	2	22.375" (568 mm)	24" (610 mm)	13.10	3,000*
HBS-36-H-132-PG			3	34.375" (873 mm)	36" (914 mm)	19.77	4,500*
HBS-48-H-132-PG			4	46.375" (1178 mm)	48" (1219 mm)	26.44	6,000*

\*This load is only for the capacity of the components in this assembly. Please consult roofing manufacturer or engineer for roof load capacity

**LEGEND:**

**PG:** Pre-Galvanized **HG:** Hot Dipped Galvanized  
Pricing is located in the ASC Engineered Solutions™ H-Block price book.

PROJECT INFORMATION	APPROVAL STAMP
Project:	Approved
Address:	Approved as noted
Contractor:	Not approved
Engineer:	Remarks:
Submittal Date:	
Notes 1:	
Notes 2:	