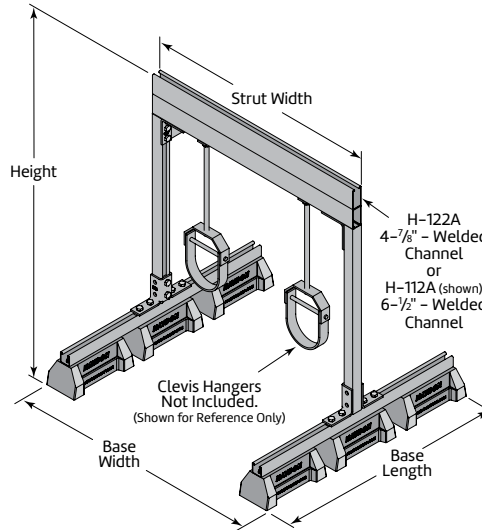
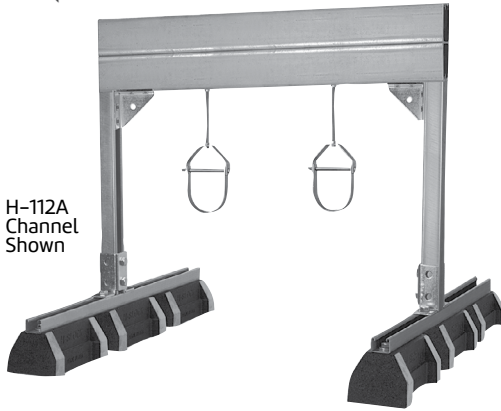


Heavy Duty Pipe Hanger Support Series with Top Support HBS-PH 36" Heavy Duty Pipe Hanger Support, PG, HG



The HBS-PH Series is designed specifically for supporting piping.

Specifications: Fixed Width & Height. All hardware required for assembly is included.

Base Material: 100% recycled rubber, UV resistant

Crossbeams: 4-7/8" H-122A Channel or 6-1/2" H-112A Channel

HBS-PH 36" Heavy Duty Pipe Hanger Support Series with H-122A PG Top Support

Model No.	Height	Strut Width	Base Width	Base Length	No. of Bases	Weight (Lbs)	Uniform Load Capacity (Lbs)*
HBS-PH-36-36-H-122A-PG		36" (914 mm)	39 ³ / ₈ " (1000 mm)			70	3,870*
HBS-PH-36-48-H-122A-PG	36" (914 mm)	48" (1219 mm)	51 ³ / ₈ " (1305 mm)	36" (914 mm)	6	75	3,870*
HBS-PH-36-60-H-122A-PG		60" (1524 mm)	63 ³ / ₈ " (1610 mm)			80	3,845*
HBS-PH-36-72-H-122A-PG		72" (1829 mm)	75 ³ / ₈ " (1915 mm)			84	3,195*

*This load is only for the capacity of the components in this assembly with the pipe hangers located at a distance 1/4 from each end of the top channel. For pipe hangers located 1/3 from each end, multiply uniform load by .75. For any other loading scenario, please consult the appropriate engineer. Please consult Roofing manufacturer or engineer for roof load capacity.
Torque Setting - All load capacities stated herein are based on the use of 1/2" channel nuts tightened to 50 ft-lbs.

HBS-PH 36" Heavy Duty Pipe Hanger Support Series with H-112A PG Top Support

Model No.	Height	Strut Width	Base Width	Base Length	No. of Bases	Weight (Lbs)	Uniform Load Capacity (Lbs)*
HBS-PH-36-36-H-112A-PG		36" (914 mm)	39 ³ / ₈ " (1000 mm)			73	3,870*
HBS-PH-36-48-H-112A-PG	36" (914 mm)	48" (1219 mm)	51 ³ / ₈ " (1305 mm)	36" (914 mm)	6	79	3,870*
HBS-PH-36-60-H-112A-PG		60" (1524 mm)	63 ³ / ₈ " (1610 mm)			85	3,870*
HBS-PH-36-72-H-112A-PG		72" (1829 mm)	75 ³ / ₈ " (1915 mm)			91	3,870*

*This load is only for the capacity of the components in this assembly with the pipe hangers located at a distance 1/4 from each end of the top channel. For pipe hangers located 1/3 from each end, multiply uniform load by .75. For any other loading scenario, please consult the appropriate engineer. Please consult Roofing manufacturer or engineer for roof load capacity.
Torque Setting - All load capacities stated herein are based on the use of 1/2" channel nuts tightened to 50 ft-lbs.

LEGEND:

PG: Pre-Galvanized **HG:** Hot Dipped Galvanized
Pricing is located in the H-Block price book.

PROJECT INFORMATION	APPROVAL STAMP
Project:	Approved
Address:	Approved as noted
Contractor:	Not approved
Engineer:	Remarks:
Submittal Date:	
Notes 1:	
Notes 2:	